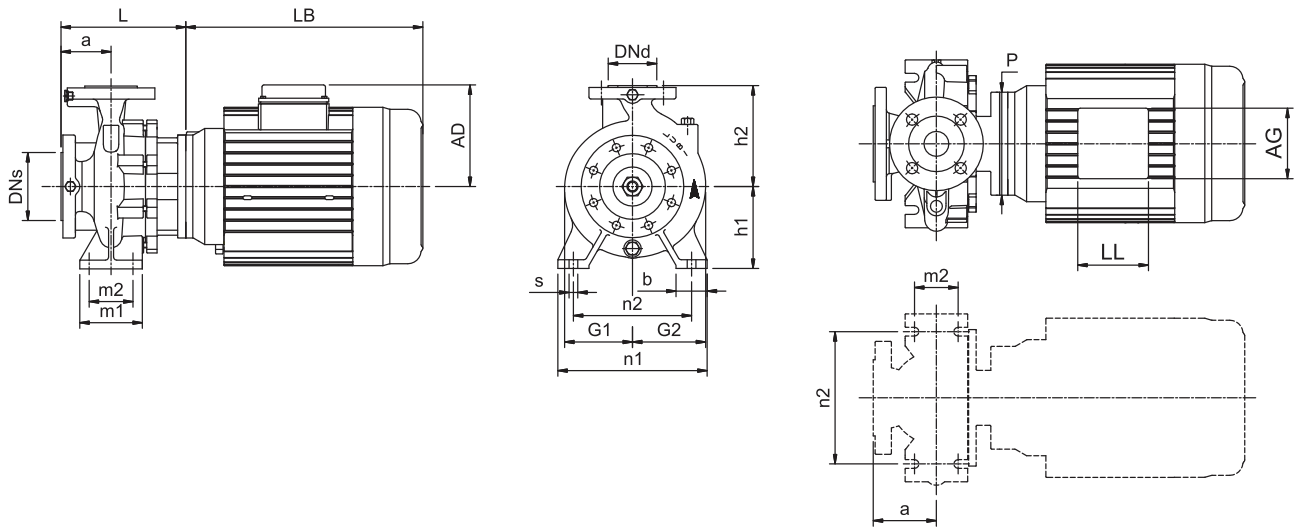


Technical Data

LES 32-1254

Single-stage end-suction pumps

4-pole



4 POLE

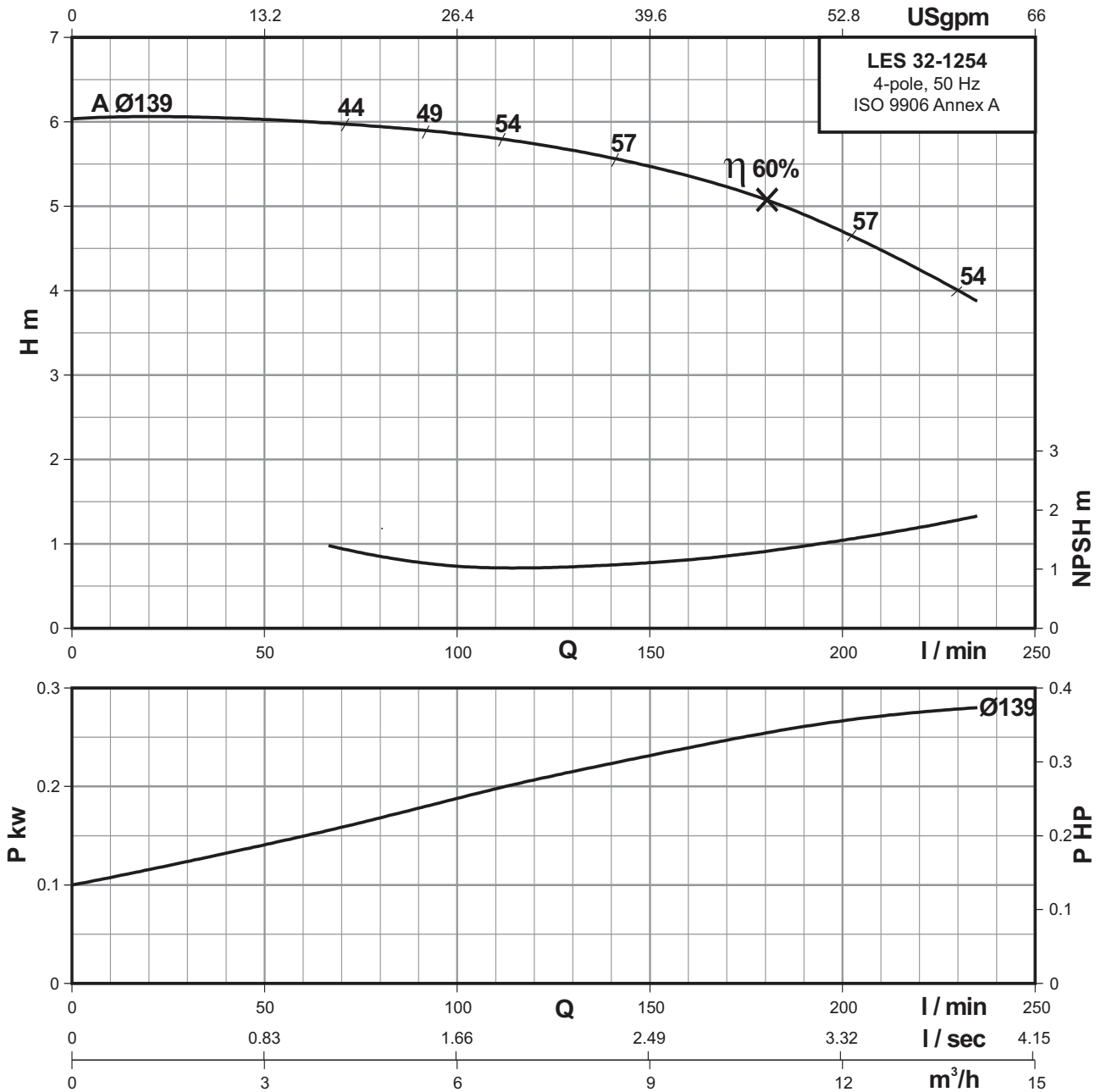
Power	[kw]	0.37
	[hp]	0.5
Frame		71L
PN	[bar]	16
Code for Impeller diameter		A
DN _s	[mm]	50
DN _d	[mm]	32
a	[mm]	80
h ₂	[mm]	140
L	[mm]	210
h ₁	[mm]	112
G ₁	[mm]	90
G ₂	[mm]	102
m ₁	[mm]	100
m ₂	[mm]	70
n ₁	[mm]	190
n ₂	[mm]	140
b	[mm]	50
s	[mm]	14
H	[mm]	-
LB	[mm]	212
AD	[mm]	106
AG	[mm]	85
LL	[mm]	85
P	[mm]	160
C	[mm]	-
B	[mm]	-
A	[mm]	-
K	[mm]	-
Net Weight	[kg]	27
Gross Weight	[kg]	35
Volume	[m ³]	0.082

Performance curves

LES 32-1254

Single-stage end-suction pumps

4-pole



4 POLE

Performance Data At n=1450 RPM

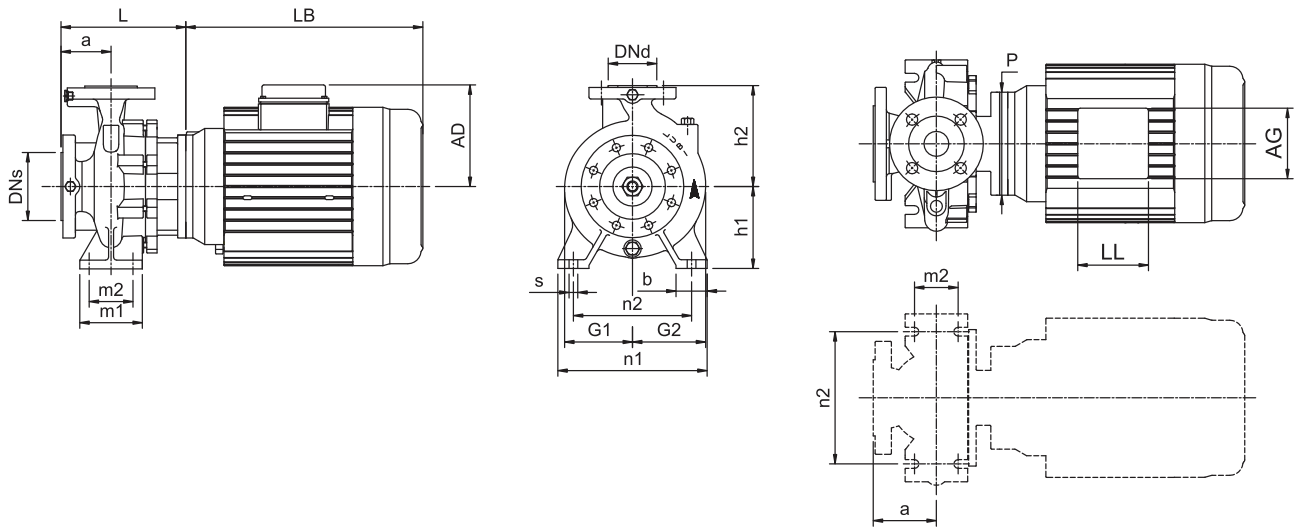
MODEL	POWER		m ³ /h	3	4.8	6	7.2	9	10.8	12	12.6	13.8
	KW	HP		l/min	50	80	100	120	150	180	200	210
LES 32-1254A	0.37	0.5	H (m)	6	5.9	5.8	5.7	5.5	5.1	4.7	4.5	4

Technical Data

LES 32-1604

Single-stage end-suction pumps

4-pole



4 POLE

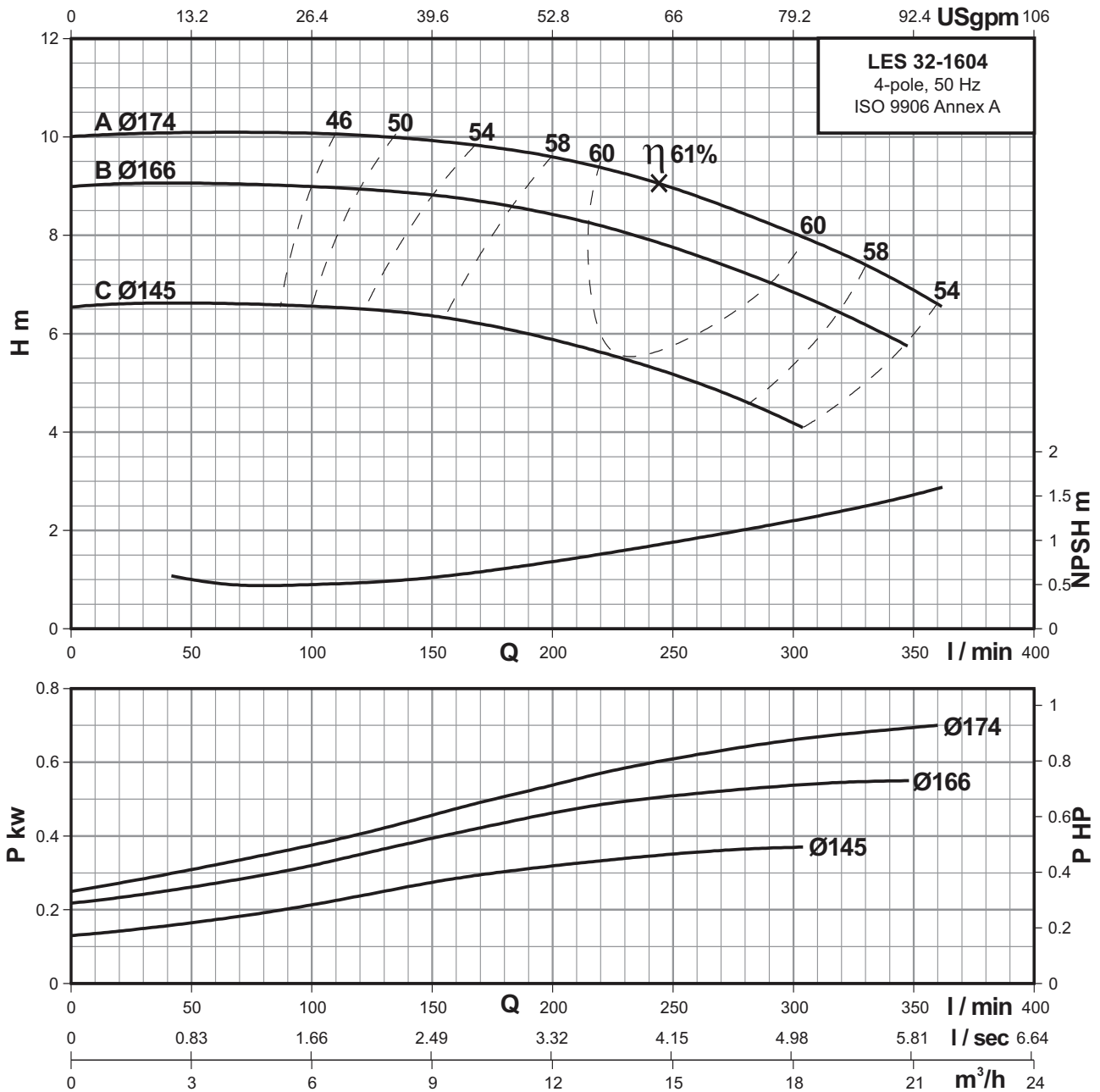
Power	[kw]	0.37	0.55	0.75
	[hp]	0.5	0.75	1
Frame		71L	80L	80L
PN	[bar]	16	16	16
Code for Impeller diameter		C	B	A
DN _s	[mm]	50	50	50
DN _d	[mm]	32	32	32
a	[mm]	80	80	80
h ₂	[mm]	160	160	160
L	[mm]	213	223	223
h ₁	[mm]	132	132	132
G ₁	[mm]	112	112	112
G ₂	[mm]	124	124	124
m ₁	[mm]	100	100	100
m ₂	[mm]	70	70	70
n ₁	[mm]	240	240	240
n ₂	[mm]	190	190	190
b	[mm]	50	50	50
s	[mm]	14	14	14
H	[mm]	-	-	-
LB	[mm]	212	229	229
AD	[mm]	106	118	118
AG	[mm]	85	101	101
LL	[mm]	85	86	86
P	[mm]	160	200	200
C	[mm]	-	-	-
B	[mm]	-	-	-
A	[mm]	-	-	-
K	[mm]	-	-	-
Net Weight	[kg]	30	32	33
Gross Weight	[kg]	38	40	41
Volume	[m ³]	0.082	0.082	0.082

Performance curves

LES 32-1604

Single-stage end-suction pumps

4-pole



Performance Data At n=1450 RPM

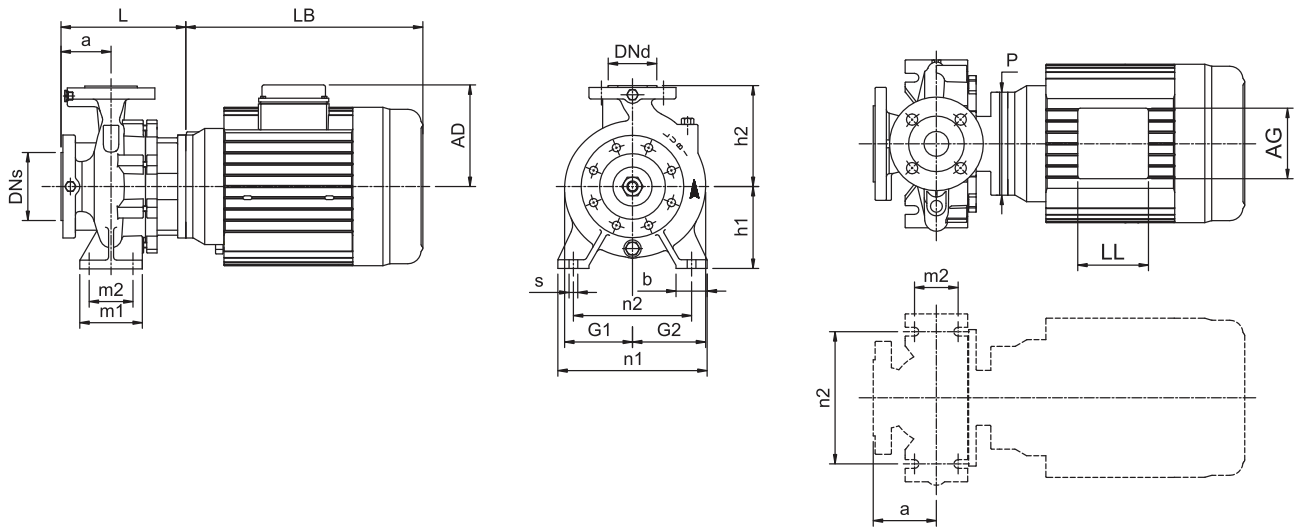
MODEL	POWER		m ³ /h	6	7.2	9	10.8	12	13.2	15	16.8	18	19.8	21.6
	KW	HP		l/min	100	120	150	180	200	220	250	280	300	330
LES 32-1604C	0.37	0.50	H (m)	6.5	6.5	6.4	6	5.9	5.7	5.2	4.6	4.2	-	-
LES 32-1604B	0.55	0.75		9	9	8.9	8.6	8.4	8.2	7.7	7.3	6.8	6.2	-
LES 32-1604A	0.75	1.00		10.1	10	9.9	9.6	9.6	9.5	9	8.3	8	7.4	6.6

Technical Data

LES 32-2004

Single-stage end-suction pumps

4-pole



4 POLE

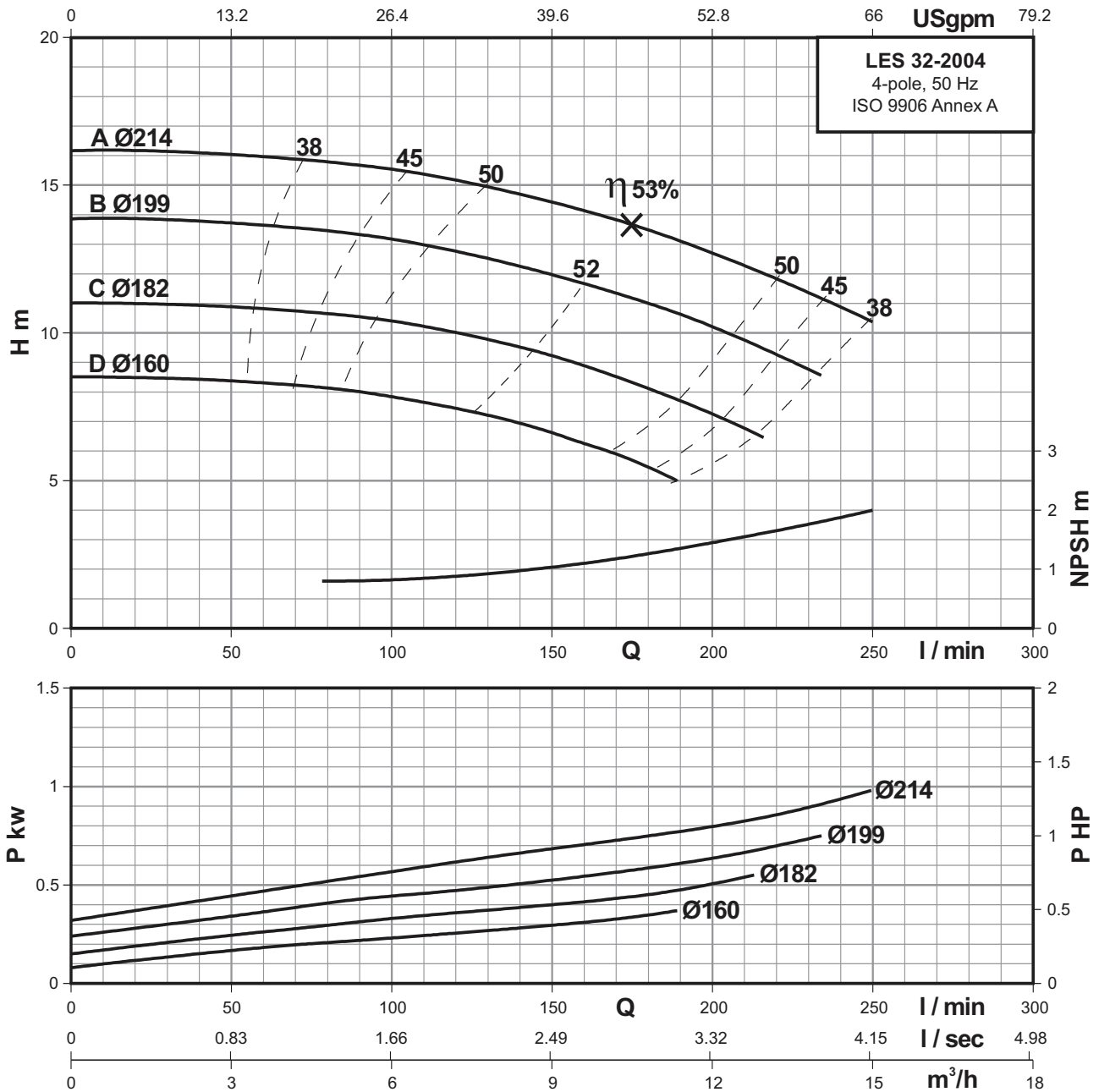
Power	[kw]	0.37	0.55	0.75	1.1
	[hp]	0.5	0.75	1	1.5
Frame		71L	80L	80L	90L
PN	[bar]	16	16	16	16
Code for Impeller diameter		D	C	B	A
DN _s	[mm]	50	50	50	50
DN _d	[mm]	32	32	32	32
a	[mm]	80	80	80	80
h ₂	[mm]	180	180	180	180
L	[mm]	208	218	218	228
h ₁	[mm]	160	160	160	160
G ₁	[mm]	126	126	126	126
G ₂	[mm]	133	133	133	133
m ₁	[mm]	100	100	100	100
m ₂	[mm]	70	70	70	70
n ₁	[mm]	240	240	240	240
n ₂	[mm]	190	190	190	190
b	[mm]	50	50	50	50
s	[mm]	14	14	14	14
H	[mm]	-	-	-	-
LB	[mm]	212	229	229	272
AD	[mm]	106	118	118	125
AG	[mm]	85	101	101	101
LL	[mm]	85	86	86	86
P	[mm]	160	200	200	200
C	[mm]	-	-	-	-
B	[mm]	-	-	-	-
A	[mm]	-	-	-	-
K	[mm]	-	-	-	-
Net Weight	[kg]	33	35	36	43
Gross Weight	[kg]	41	43	44	53
Volume	[m ³]	0.082	0.082	0.082	0.104

Performance curves

LES 32-2004

Single-stage end-suction pumps

4-pole



Performance Data At n=1450 RPM

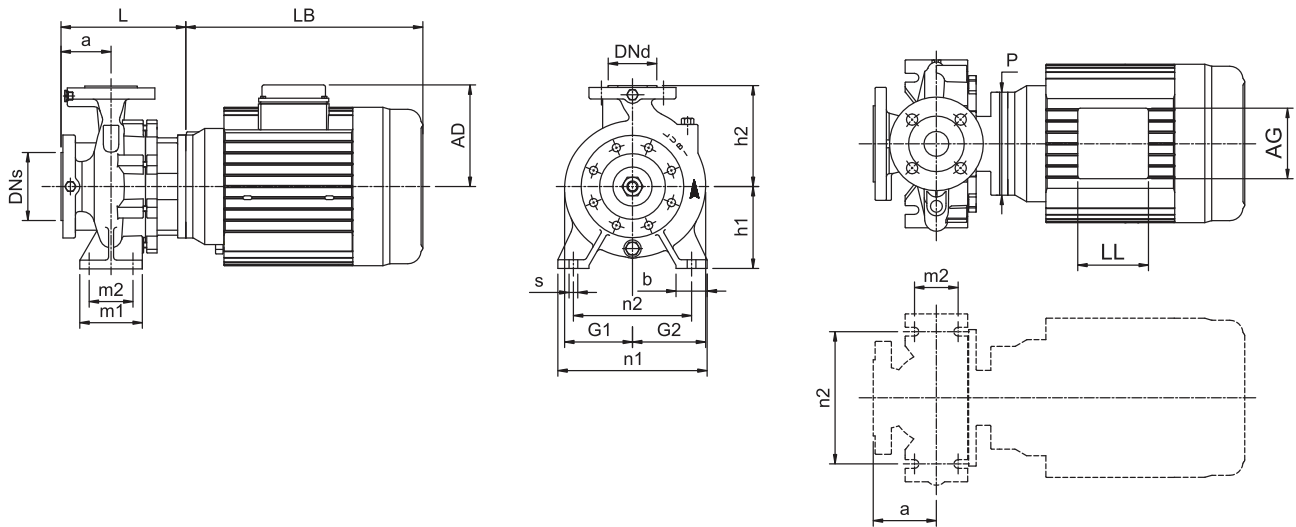
MODEL	POWER		m ³ /h l/min	3	4.8	6	7.2	9	10.8	12	13.8	15
	KW	HP		50	80	100	120	150	180	200	230	250
LES 32-2004D	0.37	0.5	H (m)	8.3	8.1	7.8	7.4	6.6	5.4	-	-	-
LES 32-2004C	0.55	0.75		10.9	10.6	10.3	10	9.2	8	7.2	-	-
LES 32-2004B	0.75	1.0		13.7	13.4	13.2	12.8	12	11	10.2	8.7	-
LES 32-2004A	1.1	1.5		16	15.8	15.5	15.2	14.4	13.4	12.7	11.2	10.4

Technical Data

LES 32-200L4

Single-stage end-suction pumps

4-pole



4 POLE

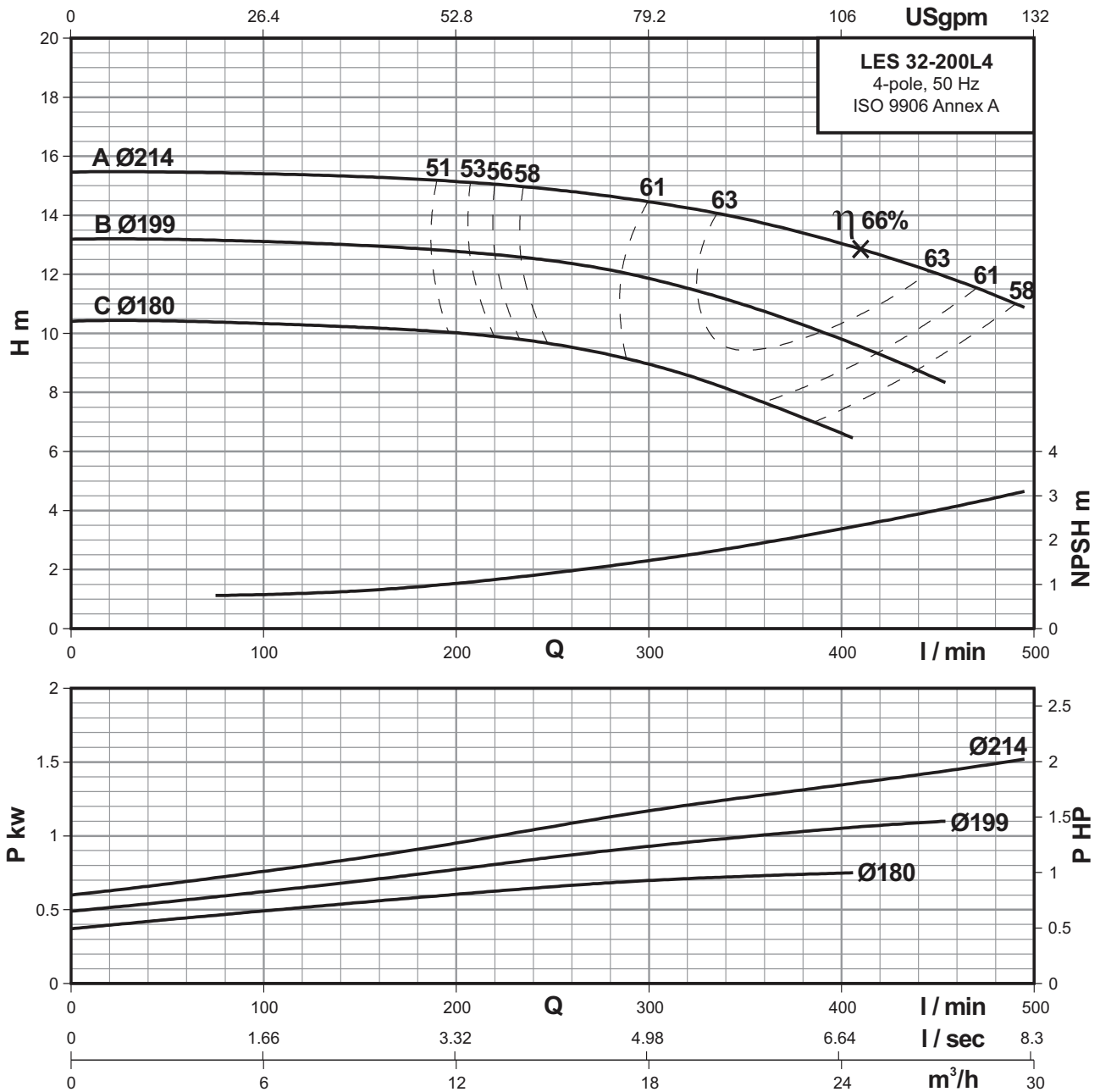
Power	[kw]	0.75	1.1	1.5
	[hp]	1	1.5	2
Frame		80L	90L	90L
PN	[bar]	16	16	16
Code for Impeller diameter		C	B	A
DN _s	[mm]	50	50	50
DN _d	[mm]	32	32	32
a	[mm]	80	80	80
h ₂	[mm]	180	180	180
L	[mm]	218	228	228
h ₁	[mm]	160	160	160
G ₁	[mm]	135	135	135
G ₂	[mm]	147	147	147
m ₁	[mm]	100	100	100
m ₂	[mm]	70	70	70
n ₁	[mm]	240	240	240
n ₂	[mm]	190	190	190
b	[mm]	50	50	50
s	[mm]	14	14	14
H	[mm]	-	-	-
LB	[mm]	229	272	272
AD	[mm]	118	125	125
AG	[mm]	101	101	101
LL	[mm]	86	86	86
P	[mm]	200	200	200
C	[mm]	-	-	-
B	[mm]	-	-	-
A	[mm]	-	-	-
K	[mm]	-	-	-
Net Weight	[kg]	35	41	43
Gross Weight	[kg]	43	51	53
Volume	[m ³]	0.082	0.104	0.104

Performance curves

LES 32-200L4

Single-stage end-suction pumps

4-pole



4 POLE

Performance Data At n=1450 RPM

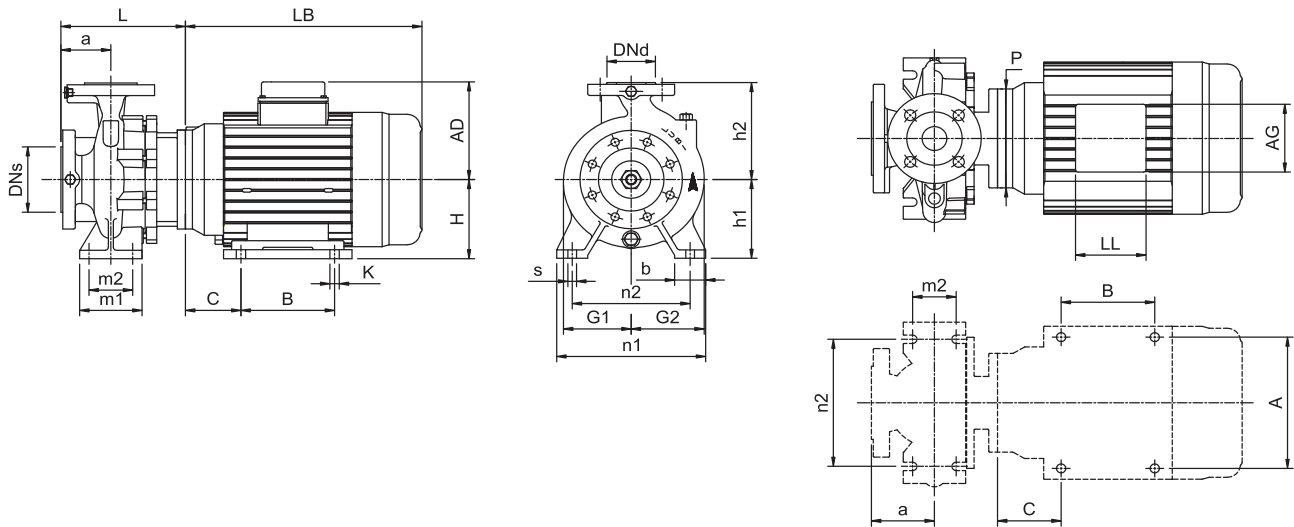
MODEL	POWER		m³/h l/min	6	9	12	15	18	21	24	27	30
	KW	HP		100	150	200	250	300	350	400	450	500
LES 32-200L4C	0.75	1.0	H (m)	10.3	10.2	10	9.6	9	8	6.6	-	-
LES 32-200L4B	1.1	1.5		13.1	13	12.7	12.5	11.9	11	9.8	8.5	-
LES 32-200L4A	1.5	2.0		15.4	15.3	15.1	14.9	14.5	13.9	13	12	10.7

Technical Data

LES 32-2504

Single-stage end-suction pumps

4-pole



Power	[kw]	1.1	1.5	2.2
	[hp]	1.5	2	3
Frame		90L	90L	112M
PN	[bar]	16	16	16
Code for Impeller diameter		C	B	A
DNs	[mm]	50	50	50
Dnd	[mm]	32	32	32
a	[mm]	100	100	100
h2	[mm]	225	225	225
L	[mm]	264	264	205
h1	[mm]	180	180	180
G1	[mm]	150	150	150
G2	[mm]	154	154	154
m1	[mm]	125	125	125
m2	[mm]	95	95	95
n1	[mm]	320	320	320
n2	[mm]	250	250	250
b	[mm]	65	65	65
s	[mm]	14	14	14
H	[mm]	-	-	-
LB	[mm]	272	272	356
AD	[mm]	125	125	150
AG	[mm]	101	101	112
LL	[mm]	86	86	112
P	[mm]	200	200	165
C	[mm]	-	-	-
B	[mm]	-	-	-
A	[mm]	-	-	-
K	[mm]	-	-	-
Net Weight	[kg]	52	54	67
Gross Weight	[kg]	62	64	77
Volume	[m ³]	0.156	0.156	0.225

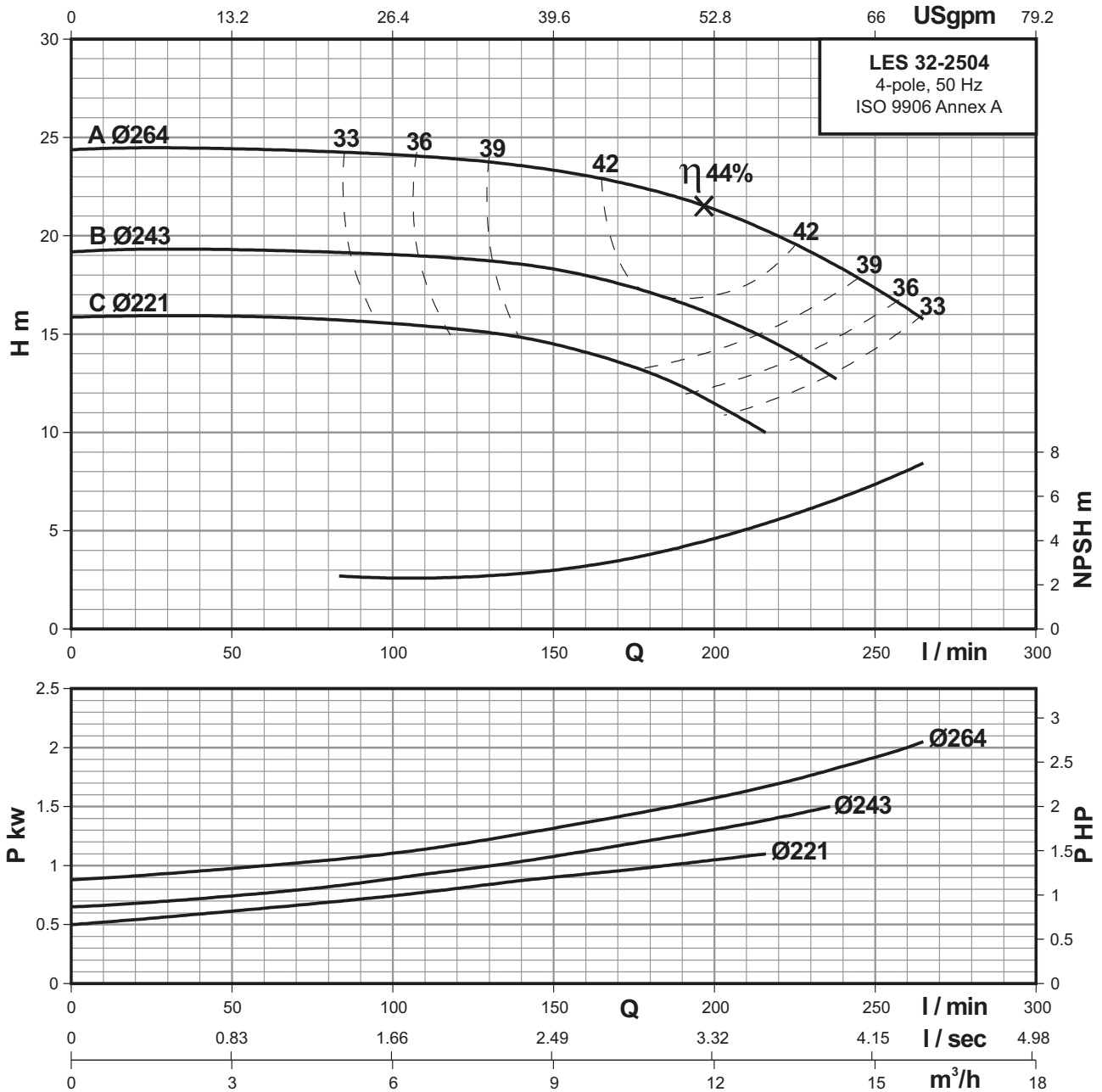
4 POLE

Performance curves

LES 32-2504

Single-stage end-suction pumps

4-pole



4 POLE

Performance Data At n=1450 RPM

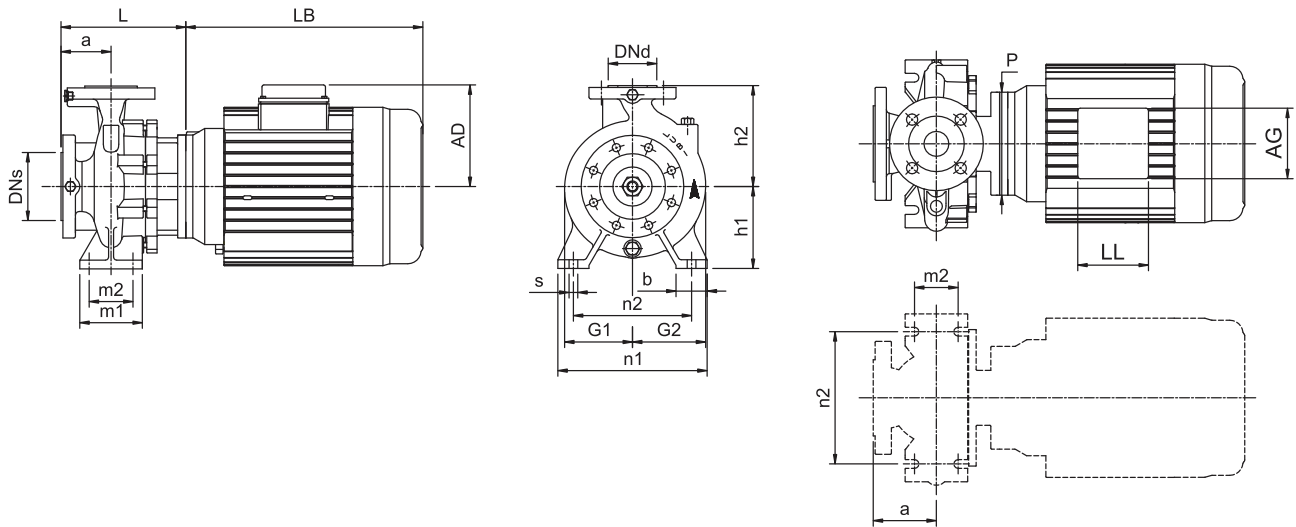
MODEL	POWER		m³/h l/min	3	4.8	6	7.2	9	10.8	12	13.2	14.4	15.6
	KW	HP		50	80	100	120	150	180	200	220	240	260
LES 32-2504C	1.1	1.5	H (m)	15.9	15.8	15.5	15.2	14.5	13	11.4	9.6	-	-
LES 32-2504B	1.5	2.0		19.3	19.2	19	18.9	18.3	17.1	16	14.5	12.5	-
LES 32-2504A	2.2	3.0		24.4	24.2	24.1	23.9	23.3	22.3	21.3	20	18.2	16.2

Technical Data

LES 40-1254

Single-stage end-suction pumps

4-pole



4 POLE

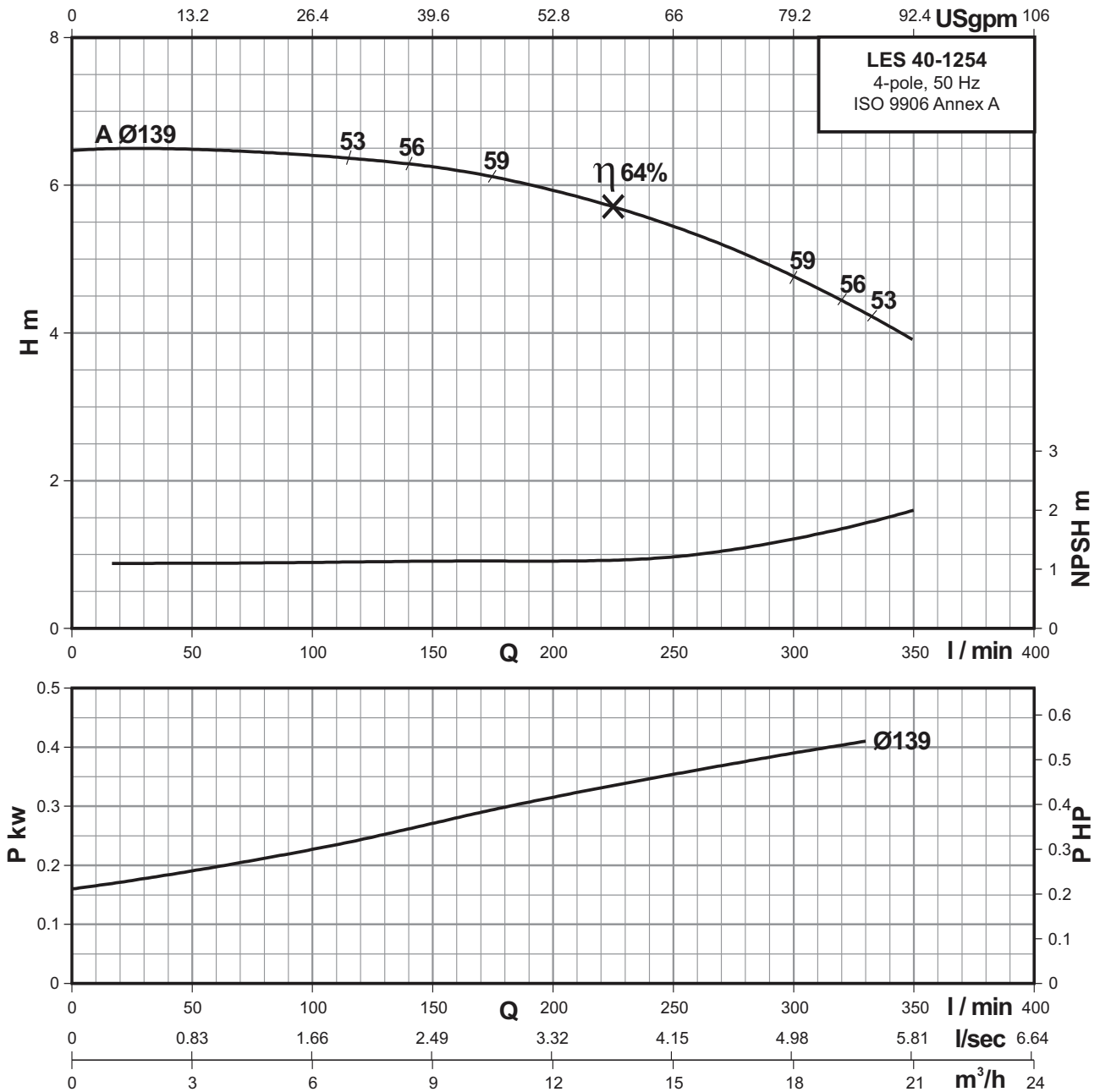
Power	[kw]	0.37
	[hp]	0.5
Frame		71L
PN	[bar]	16
Code for Impeller diameter		A
DN _s	[mm]	65
DN _d	[mm]	40
a	[mm]	80
h ₂	[mm]	140
L	[mm]	210
h ₁	[mm]	112
G ₁	[mm]	97
G ₂	[mm]	111
m ₁	[mm]	100
m ₂	[mm]	70
n ₁	[mm]	210
n ₂	[mm]	160
b	[mm]	50
s	[mm]	14
H	[mm]	-
LB	[mm]	212
AD	[mm]	106
AG	[mm]	85
LL	[mm]	85
P	[mm]	160
C	[mm]	-
B	[mm]	-
A	[mm]	-
K	[mm]	-
Net Weight	[kg]	29
Gross Weight	[kg]	37
Volume	[m ³]	0.082

Performance curves

LES 40-1254

Single-stage end-suction pumps

4-pole



4 POLE

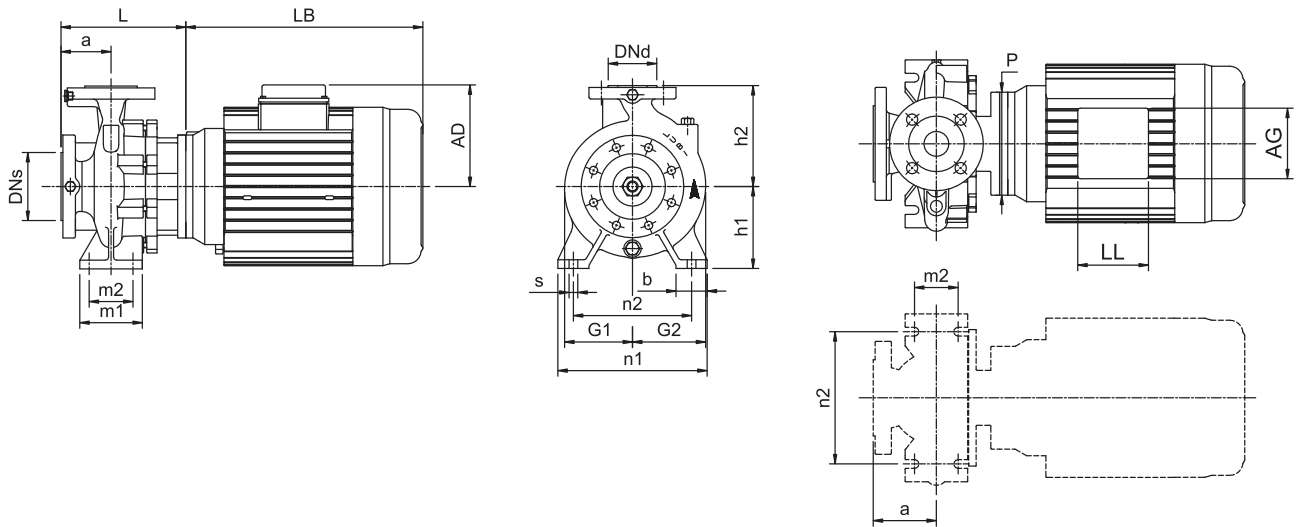
Performance Data At n=1450 RPM

MODEL	POWER		m ³ /h	6	7.2	9	10.8	12	13.2	15	16.8	18	19.2	21
	KW	HP		l/min	100	120	150	180	200	220	250	280	300	320
LES 40-1254A	0.37	0.5	H (m)	6.4	6.3	6.2	6.1	5.9	5.7	5.4	5.2	4.7	4.4	3.9

Technical Data

Single-stage end-suction pumps

LES 40-125L4 4-pole



4 POLE

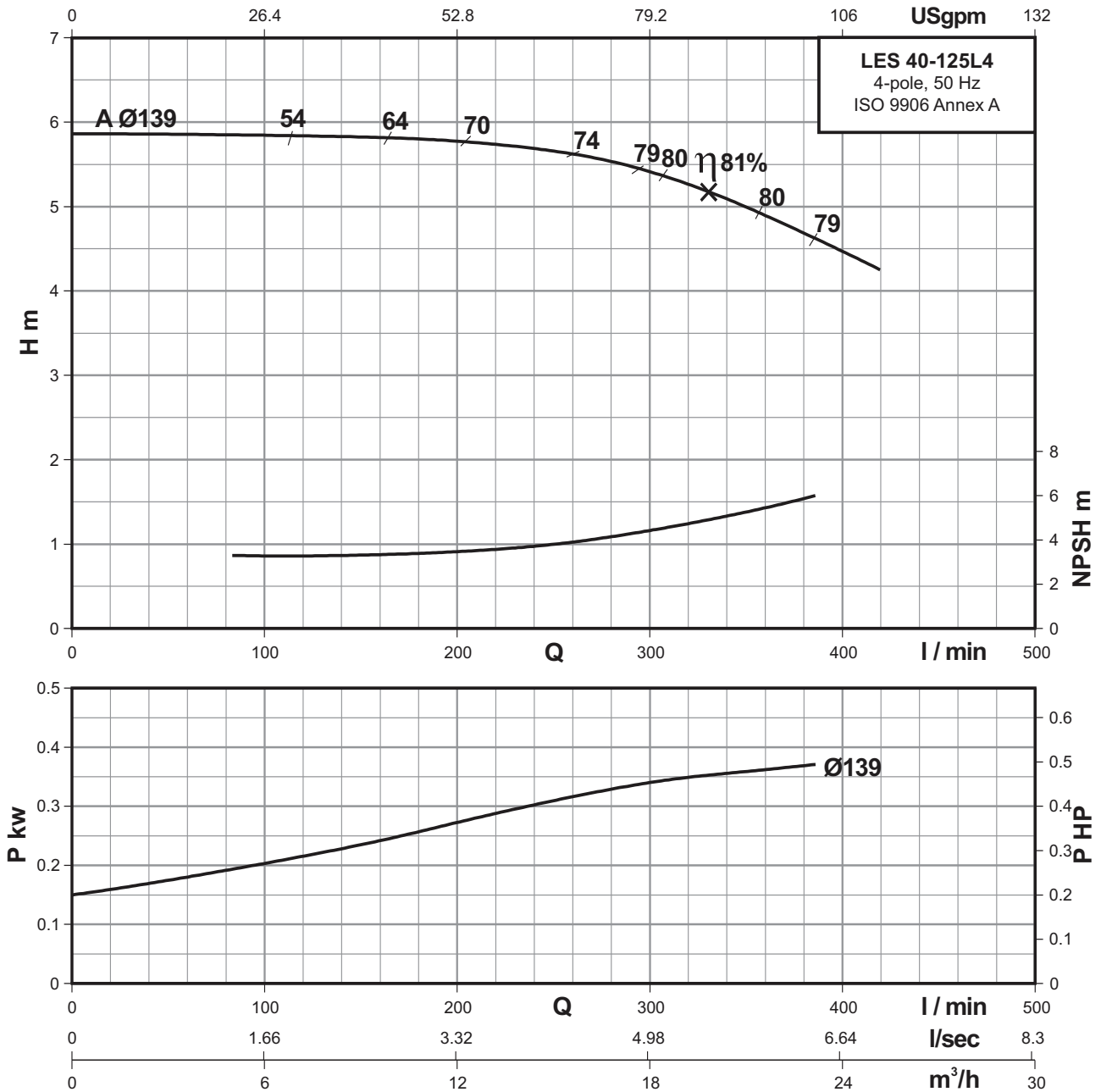
Power	[kw]	0.37
	[hp]	0.5
Frame		71L
PN	[bar]	16
Code for Impeller diameter		A
DN _s	[mm]	65
DN _d	[mm]	40
a	[mm]	80
h ₂	[mm]	140
L	[mm]	210
h ₁	[mm]	112
G ₁	[mm]	105
G ₂	[mm]	115
m ₁	[mm]	100
m ₂	[mm]	70
n ₁	[mm]	210
n ₂	[mm]	160
b	[mm]	50
s	[mm]	14
H	[mm]	-
LB	[mm]	212
AD	[mm]	106
AG	[mm]	85
LL	[mm]	85
P	[mm]	160
C	[mm]	-
B	[mm]	-
A	[mm]	-
K	[mm]	-
Net Weight	[kg]	29
Gross Weight	[kg]	37
Volume	[m ³]	0.082

Performance curves

Single-stage end-suction pumps

LES 40-125L4

4-pole



Performance Data At n=1450 RPM

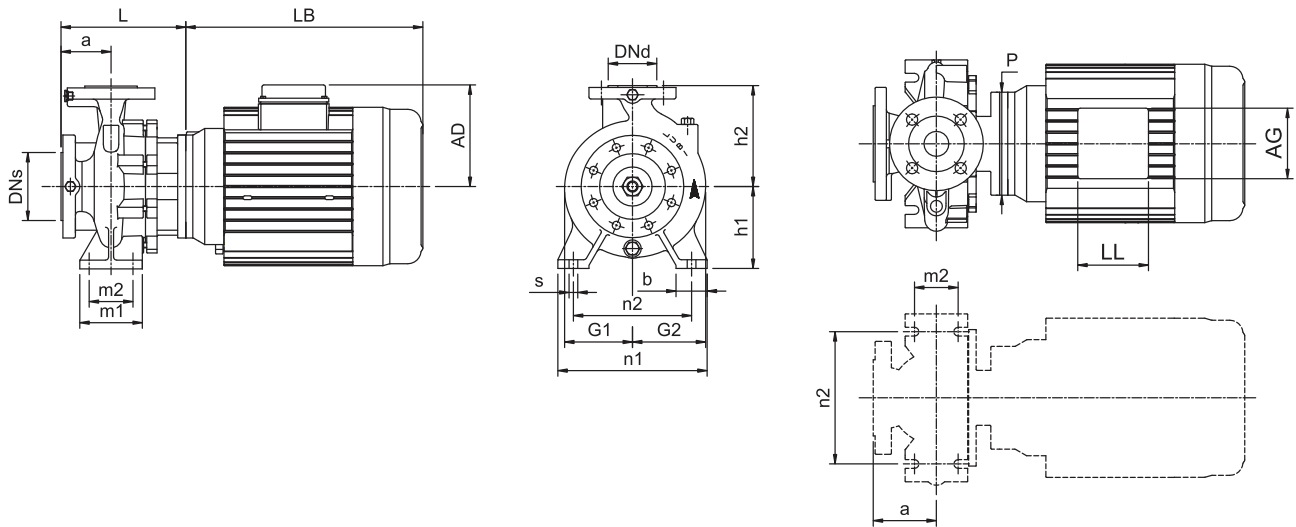
MODEL	POWER		m ³ /h	6	9	12	15	18	19.2	20.4	21.6	22.8	24	25.2
	KW	HP		l/min	100	150	200	250	300	320	340	360	380	400
LES 40-125L4A	0.37	0.5	H (m)	5.9	5.8	5.7	5.7	5.4	5.3	5.1	4.9	4.7	4.5	4.3

Technical Data

LES 40-1604

Single-stage end-suction pumps

4-pole



4 POLE

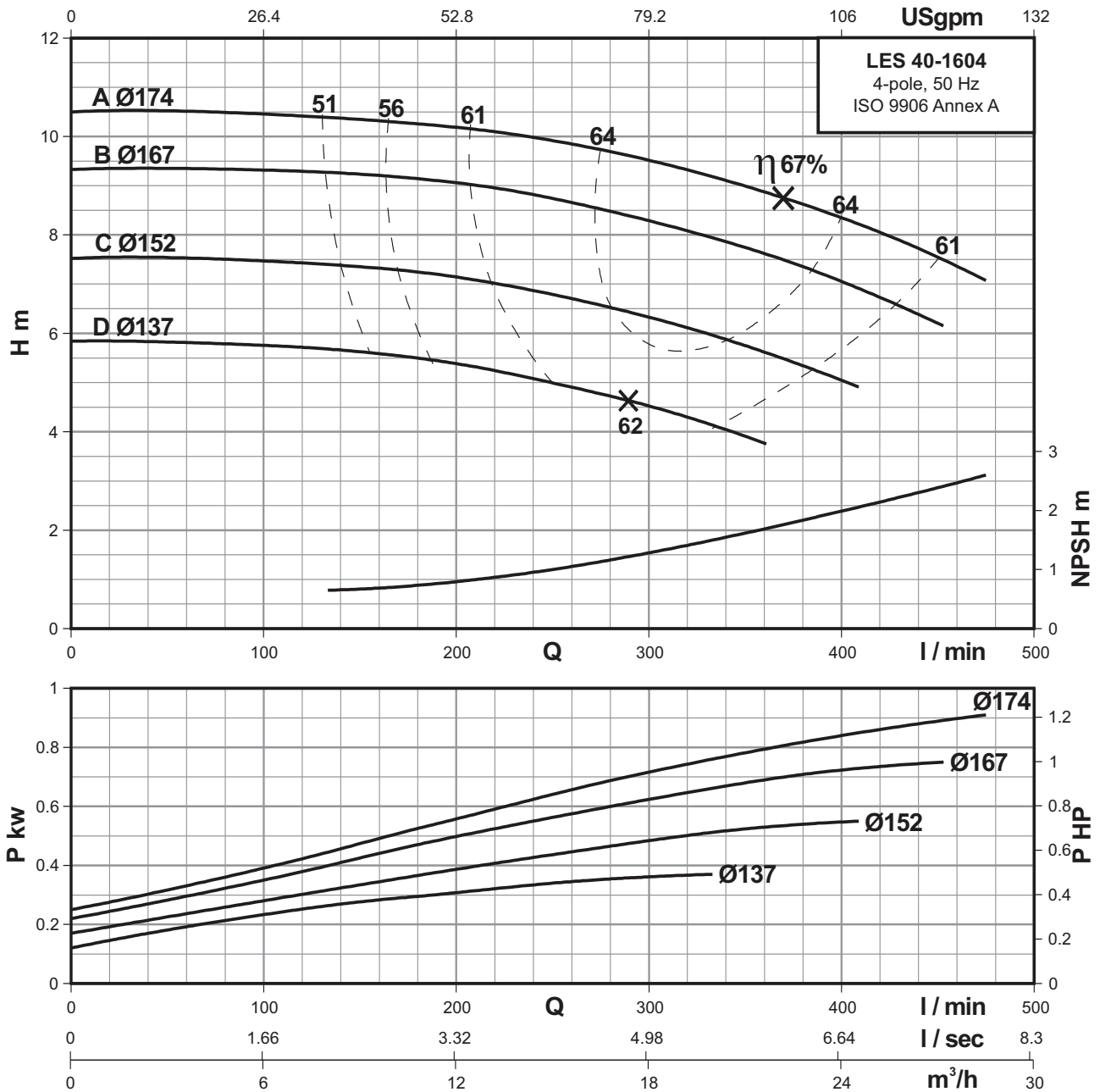
Power	[kw]	0.37	0.55	0.75	1.1
	[hp]	0.5	0.75	1	1.5
Frame		71L	80L	80L	90L
PN	[bar]	16	16	16	16
Code for Impeller diameter		D	C	B	A
DN1	[mm]	65	65	65	65
DNd	[mm]	40	40	40	40
a	[mm]	80	80	80	80
h2	[mm]	160	160	160	160
L	[mm]	213	223	223	233
h1	[mm]	132	132	132	132
G1	[mm]	106	106	106	106
G2	[mm]	120	120	120	120
m1	[mm]	100	100	100	100
m2	[mm]	70	70	70	70
n1	[mm]	240	240	240	240
n2	[mm]	190	190	190	190
b	[mm]	50	50	50	50
s	[mm]	14	14	14	14
H	[mm]	-	-	-	-
LB	[mm]	212	229	229	272
AD	[mm]	106	118	118	125
AG	[mm]	85	101	101	101
LL	[mm]	85	86	86	86
P	[mm]	160	200	200	200
C	[mm]	-	-	-	-
B	[mm]	-	-	-	-
A	[mm]	-	-	-	-
K	[mm]	-	-	-	-
Net Weight	[kg]	32	34	35	41
Gross Weight	[kg]	40	42	43	51
Volume	[m ³]	0.082	0.082	0.082	0.104

Performance curves

LES 40-1604

Single-stage end-suction pumps

4-pole



Performance Data At n=1450 RPM

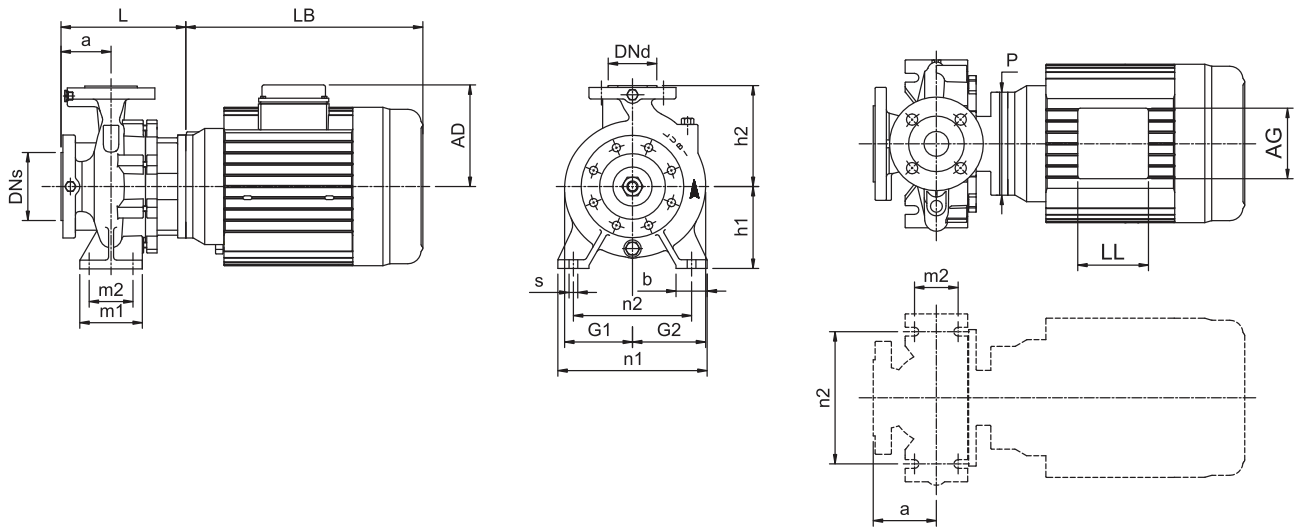
MODEL	POWER		m ³ /h	6	9	12	15	18	21	24	27	28.5
	KW	HP		l/min	100	150	200	250	300	350	400	450
LES 40-1604D	0.37	0.50	H (m)	5.8	5.6	5.4	5	4.5	3.9	-	-	-
LES 40-1604C	0.55	0.75		7.5	7.3	7.1	6.8	6.3	5.7	5	-	-
LES 40-1604B	0.75	1.00		9.3	9.2	9.1	8.8	8.3	7.8	7	6.2	-
LES 40-1604A	1.10	1.50		10.5	10.3	10.2	9.9	9.5	9	8.3	7.5	7

Technical Data

LES 40-2004

Single-stage end-suction pumps

4-pole



4 POLE

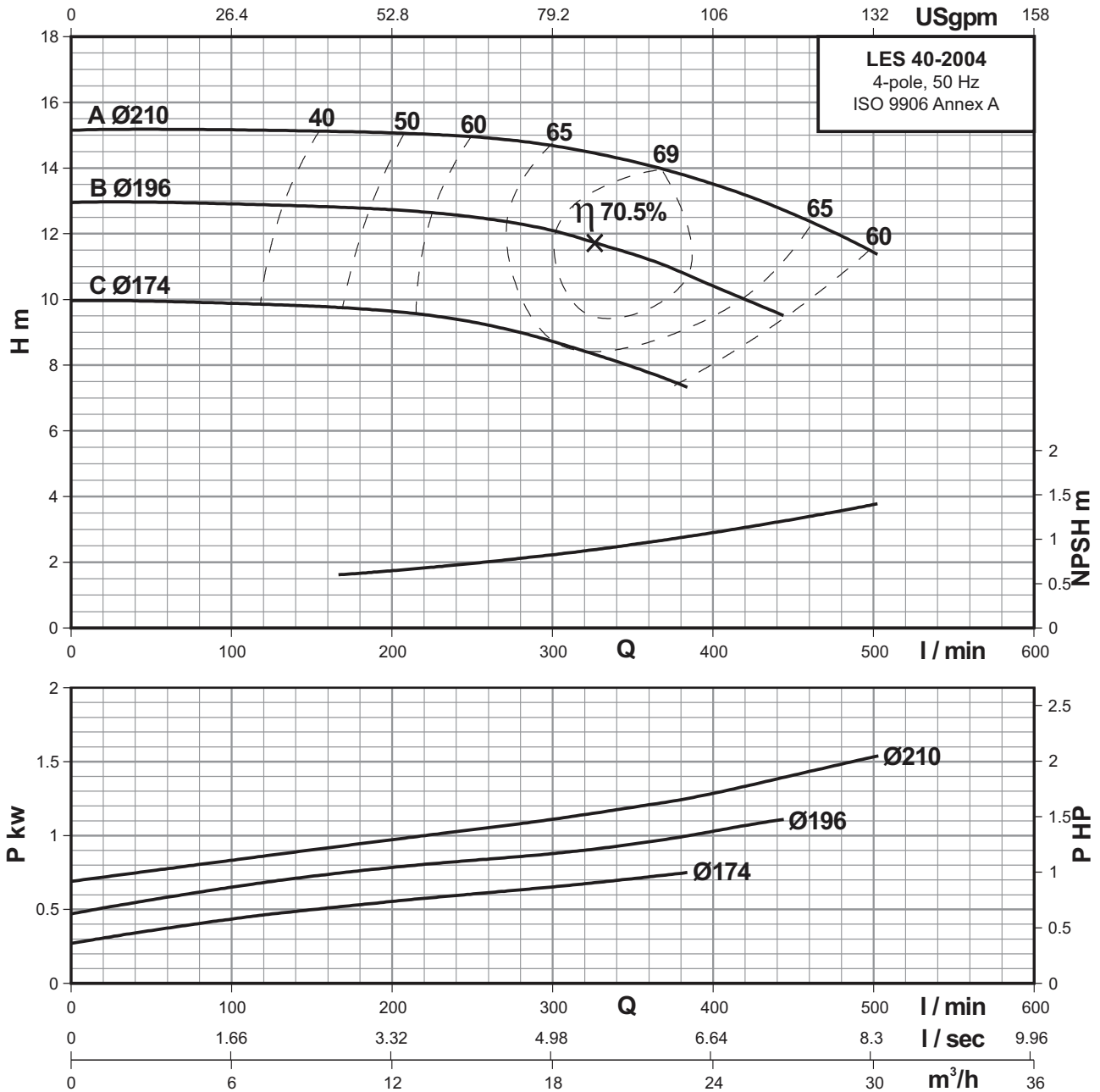
Power	[kw]	0.75	1.1	1.5
	[hp]	1	1.5	2
Frame		80L	90L	90L
PN	[bar]	16	16	16
Code for Impeller diameter		C	B	A
DN _s	[mm]	65	65	65
DN _d	[mm]	40	40	40
a	[mm]	100	100	100
h ₂	[mm]	180	180	180
L	[mm]	238	248	248
h ₁	[mm]	160	160	160
G ₁	[mm]	131	131	131
G ₂	[mm]	140	140	140
m ₁	[mm]	100	100	100
m ₂	[mm]	70	70	70
n ₁	[mm]	265	265	265
n ₂	[mm]	212	212	212
b	[mm]	50	50	50
s	[mm]	14	14	14
H	[mm]	-	-	-
LB	[mm]	229	272	272
AD	[mm]	118	125	125
AG	[mm]	101	101	101
LL	[mm]	86	86	86
P	[mm]	200	200	200
C	[mm]	-	-	-
B	[mm]	-	-	-
A	[mm]	-	-	-
K	[mm]	-	-	-
Net Weight	[kg]	38	45	46
Gross Weight	[kg]	48	55	56
Volume	[m ³]	0.104	0.104	0.104

Performance curves

LES 40-2004

Single-stage end-suction pumps

4-pole



Performance Data At n=1450 RPM

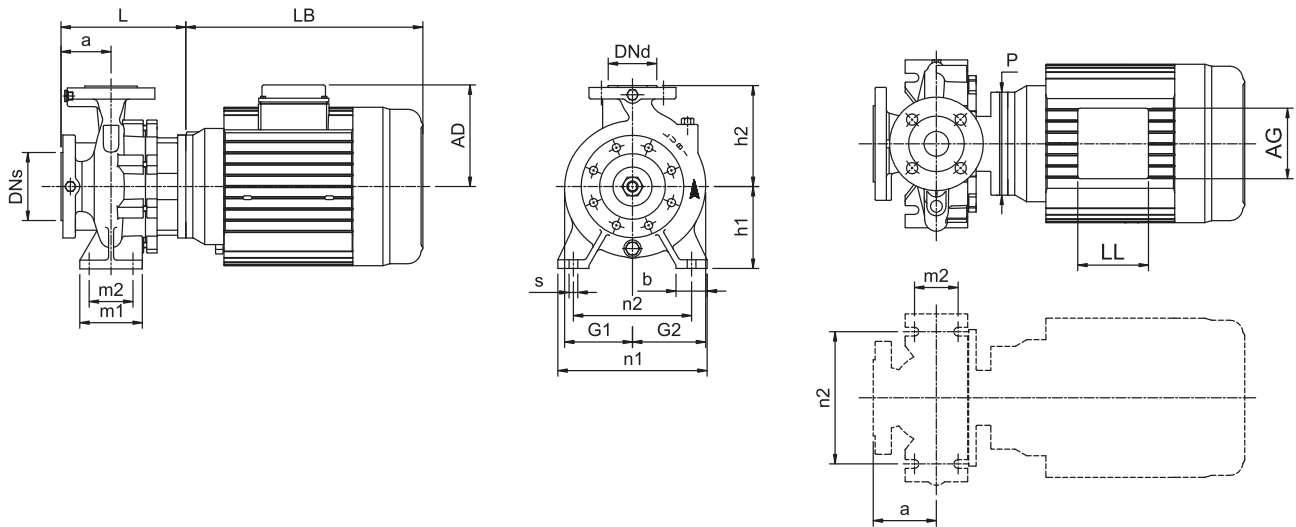
MODEL	POWER		m³/h l/min	6	9	12	15	18	21	24	27	30
	KW	HP		100	150	200	250	300	350	400	450	500
LES 40-2004C	0.75	1.0	H (m)	9.9	9.8	9.6	9.3	8.7	8	-	-	-
LES 40-2004B	1.10	1.5		12.9	12.8	12.7	12.5	12.1	11.4	10.4	9.4	-
LES 40-2004A	1.50	2.0		15.3	15.2	15.1	14.9	14.6	14.2	13.5	12.6	11.4

Technical Data

LES 40-2504

Single-stage end-suction pumps

4-pole



4 POLE

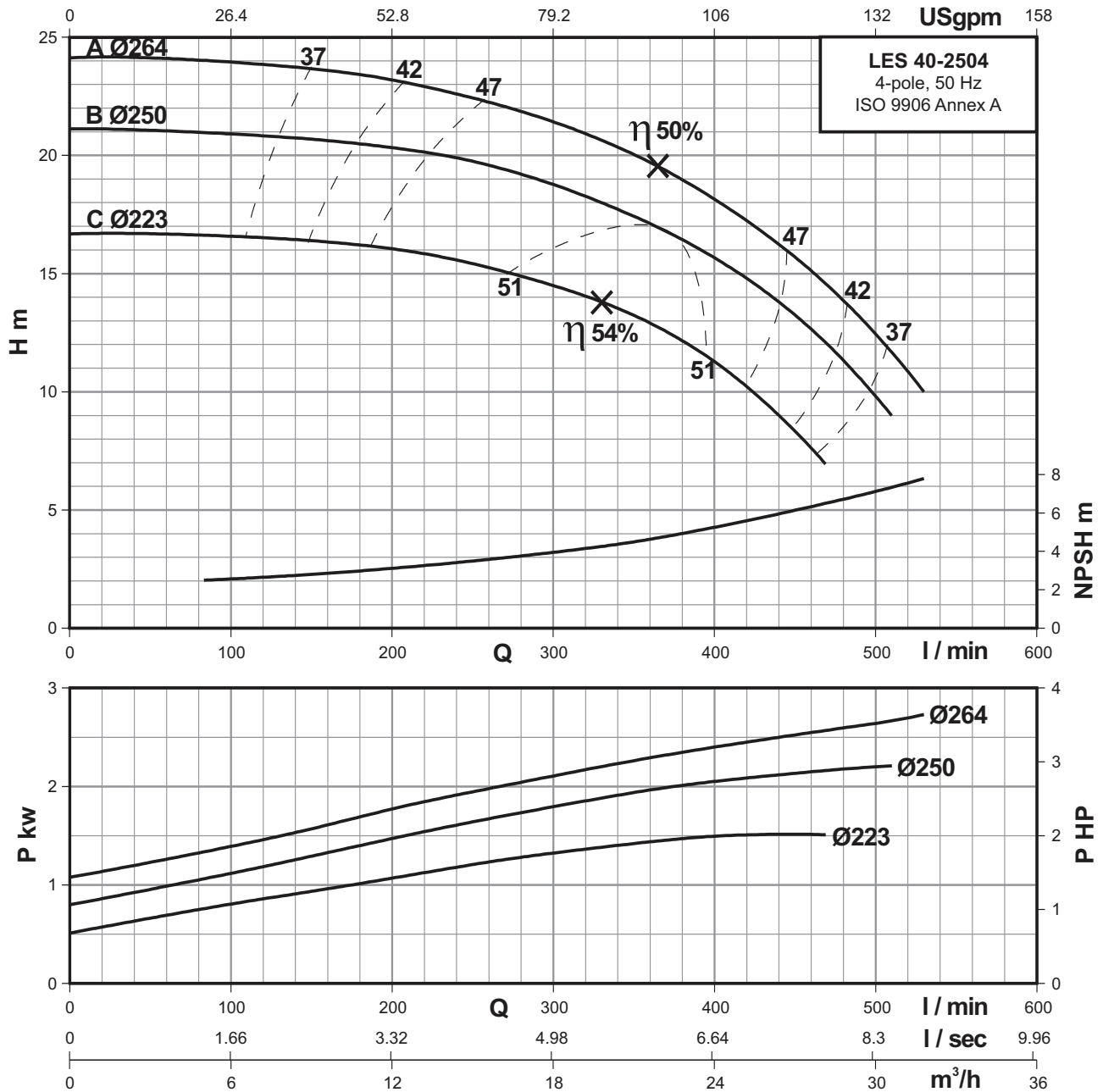
Power	[kw]	1.5	2.2	3
	[hp]	2	3	4
Frame		90L	112M	112M
PN	[bar]	16	16	16
Code for Impeller diameter		C	B	A
DN _s	[mm]	65	65	65
DN _d	[mm]	40	40	40
a	[mm]	100	100	100
h ₂	[mm]	225	225	225
L	[mm]	263	215	215
h ₁	[mm]	180	180	180
G ₁	[mm]	160	160	160
G ₂	[mm]	170	170	170
m ₁	[mm]	125	125	125
m ₂	[mm]	95	95	95
n ₁	[mm]	320	320	320
n ₂	[mm]	250	250	250
b	[mm]	65	65	65
s	[mm]	14	14	14
H	[mm]	-	-	-
LB	[mm]	272	356	356
AD	[mm]	125	150	150
AG	[mm]	101	112	112
LL	[mm]	86	112	112
P	[mm]	200	165	165
C	[mm]	-	-	-
B	[mm]	-	-	-
A	[mm]	-	-	-
K	[mm]	-	-	-
Net Weight	[kg]	59	73	75
Gross Weight	[kg]	69	83	85
Volume	[m ³]	0.156	0.225	0.225

Performance curves

LES 40-2504

Single-stage end-suction pumps

4-pole



4 POLE

Performance Data At n=1450 RPM

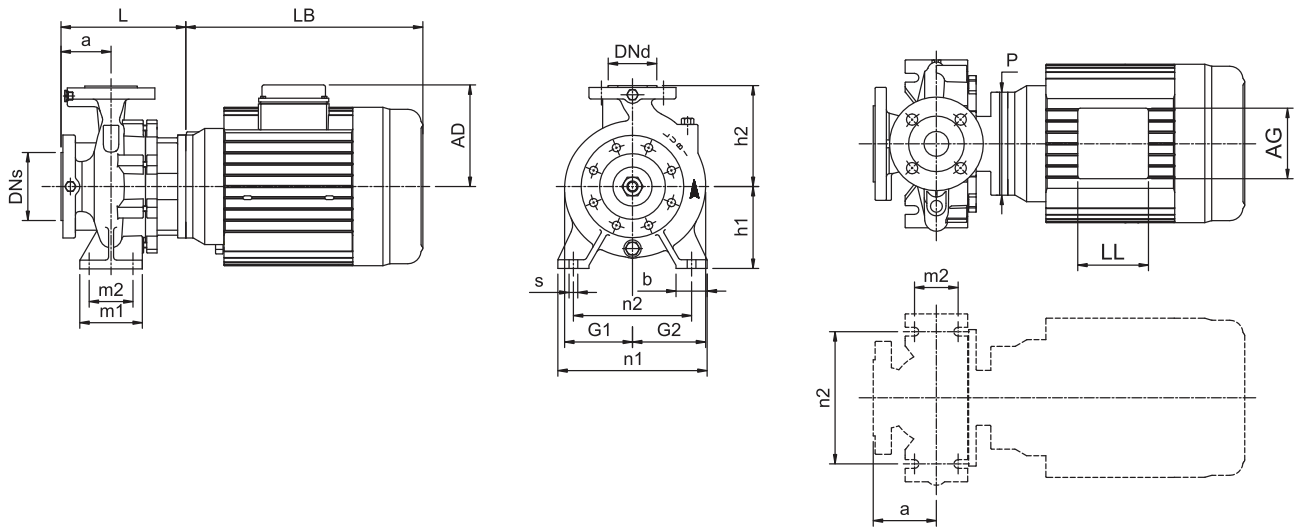
MODEL	POWER		m³/h	6	9	12	15	18	21	24	27	30	31.2
	KW	HP		l/min	100	150	200	250	300	350	400	450	500
LES 40-2504C	1.5	2.0	H (m)	16.6	16.4	16	15.4	14.4	13.3	11.2	8.5	-	-
LES 40-2504B	2.0	3.0		21	20.7	20.2	19.8	18.9	17.4	15.6	13.2	9.9	-
LES 40-2504A	3.0	4.0		24	23.6	23.2	22.5	21.4	20	18.1	15.6	12.4	10.9

Technical Data

Single-stage end-suction pumps

LES 50-1254

4-pole



4 POLE

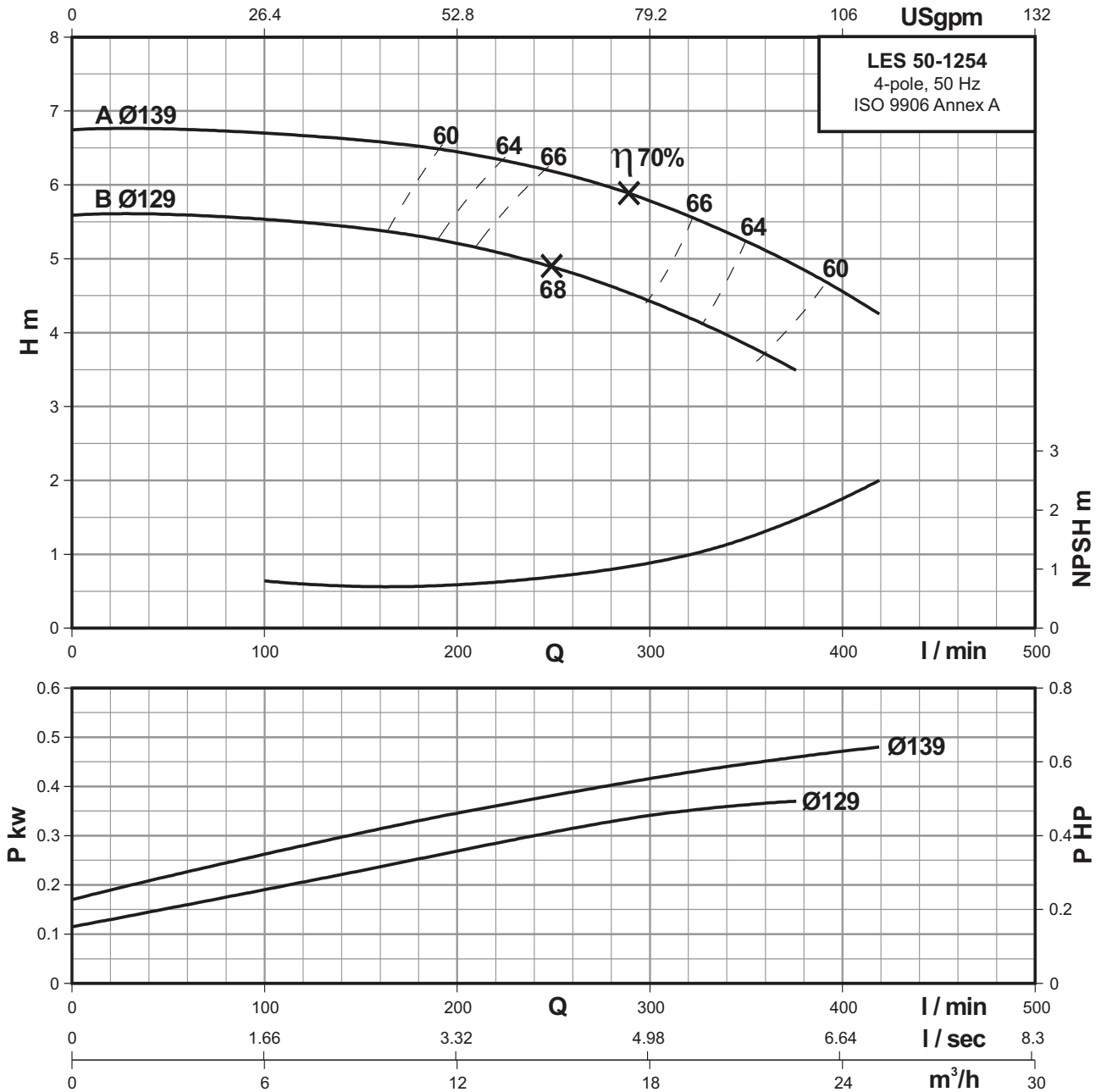
Power	[kw]	0.37	0.55
	[hp]	0.5	0.75
Frame		71L	80L
PN	[bar]	16	16
Code for Impeller diameter		B	A
DN _s	[mm]	65	65
DN _d	[mm]	50	50
a	[mm]	100	100
h ₂	[mm]	160	160
L	[mm]	230	240
h ₁	[mm]	132	132
G ₁	[mm]	98	98
G ₂	[mm]	113	113
m ₁	[mm]	100	100
m ₂	[mm]	70	70
n ₁	[mm]	240	240
n ₂	[mm]	190	190
b	[mm]	50	50
s	[mm]	14	14
H	[mm]	-	-
LB	[mm]	212	229
AD	[mm]	106	118
AG	[mm]	85	101
LL	[mm]	85	86
P	[mm]	160	200
C	[mm]	-	-
B	[mm]	-	-
A	[mm]	-	-
K	[mm]	-	-
Net Weight	[kg]	32	33
Gross Weight	[kg]	40	41
Volume	[m ³]	0.082	0.082

Performance curves

LES 50-1254

Single-stage end-suction pumps

4-pole



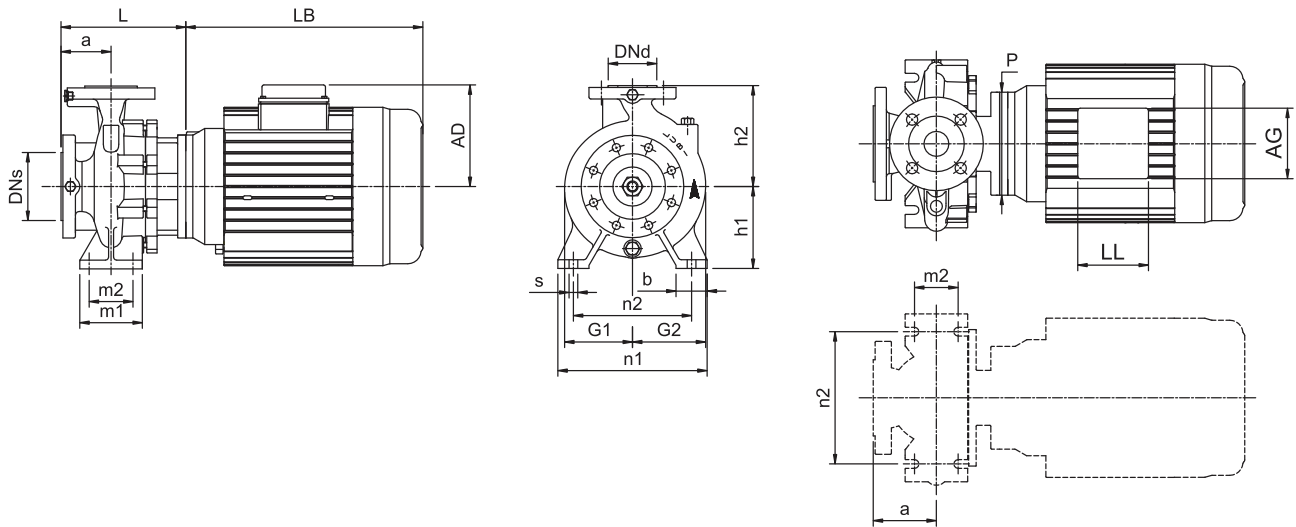
Performance Data At n=1450 RPM

MODEL	POWER		m ³ /h	6	9	12	13.2	15	16.8	18	19.2	21	22.8	24	25.2
	KW	HP		l/min	100	150	200	220	250	280	300	320	350	380	400
LES 50-1254B	0.37	0.5	H	5.5	5.4	5.2	5.1	4.9	4.6	4.4	4.2	3.8	3.4	-	-
LES 50-1254A	0.55	0.75	(m)	6.7	6.6	6.4	6.3	6.2	6	5.8	5.6	5.3	4.8	4.6	4.3

Technical Data

Single-stage end-suction pumps

LES 50-125L4 4-pole



4 POLE

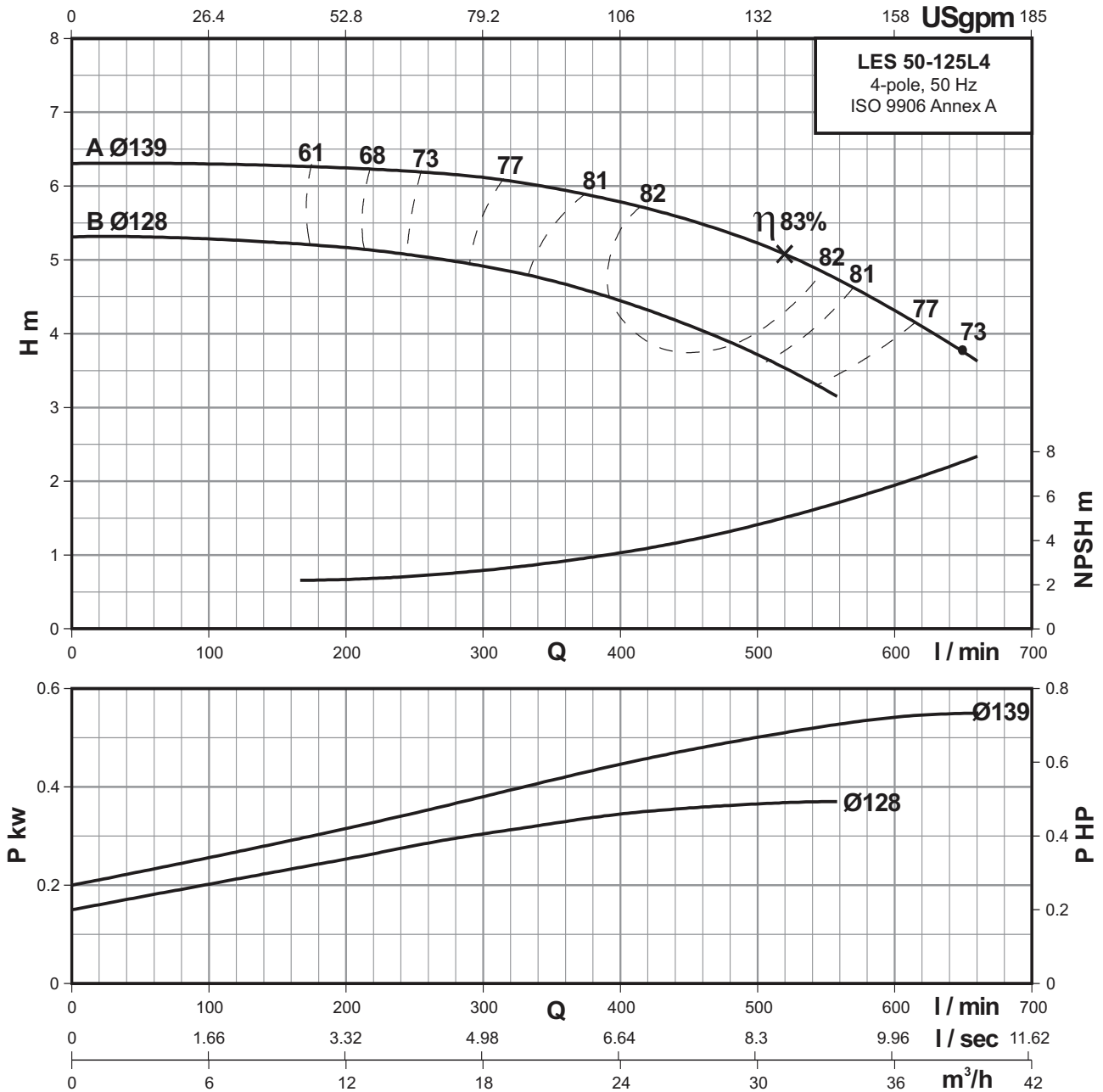
Power	[kw]	0.37	0.55
	[hp]	0.5	0.75
Frame		71L	80L
PN	[bar]	16	16
Code for Impeller diameter		B	A
DN _s	[mm]	65	65
DN _d	[mm]	50	50
a	[mm]	100	100
h ₂	[mm]	160	160
L	[mm]	230	240
h ₁	[mm]	132	132
G ₁	[mm]	105	105
G ₂	[mm]	125	125
m ₁	[mm]	100	100
m ₂	[mm]	70	70
n ₁	[mm]	240	240
n ₂	[mm]	190	190
b	[mm]	50	50
s	[mm]	14	14
H	[mm]	-	-
LB	[mm]	212	229
AD	[mm]	106	118
AG	[mm]	85	101
LL	[mm]	85	86
P	[mm]	160	200
C	[mm]	-	-
B	[mm]	-	-
A	[mm]	-	-
K	[mm]	-	-
Net Weight	[kg]	32	34
Gross Weight	[kg]	40	42
Volume	[m ³]	0.082	0.082

Performance curves

LES 50-125L4

Single-stage end-suction pumps

4-pole



4 POLE

Performance Data At n=1450 RPM

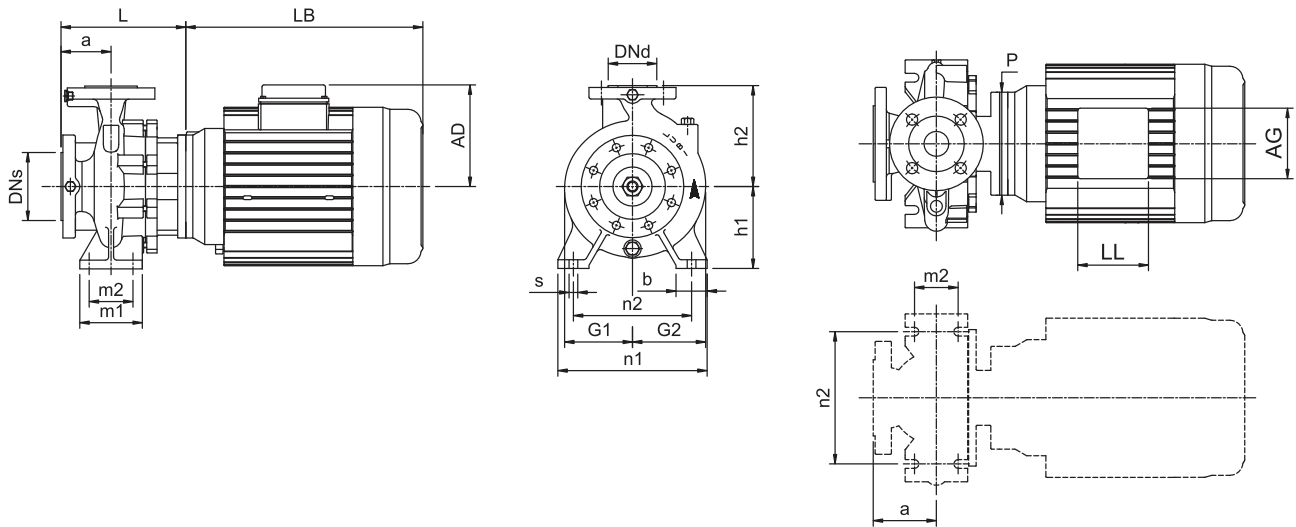
MODEL	POWER		m ³ /h	6	12	15	18	21	24	27	30	33	36	37.8	39.6
	KW	HP		l/min	100	200	250	300	350	400	450	500	550	600	630
LES 50-125L4B	0.37	0.5	H	5.3	5.2	5.1	4.9	4.7	4.4	4.2	3.7	3.3	-	-	-
LES 50-125L4A	0.55	0.75	(m)	6.4	6.3	6.2	6.1	6	5.8	5.5	5.2	4.8	4.3	4	3.6

Technical Data

LES 50-1604

Single-stage end-suction pumps

4-pole



4 POLE

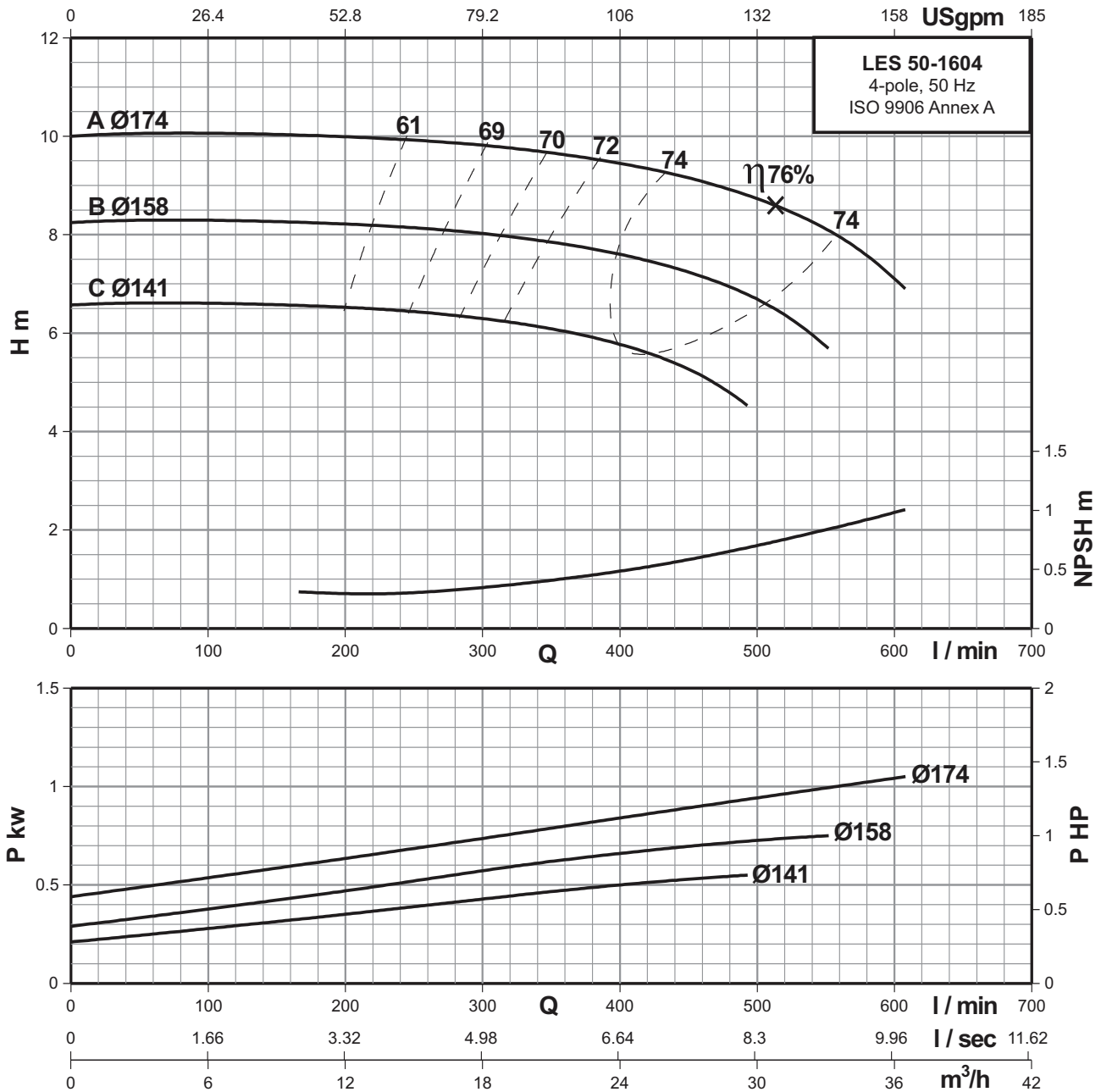
Power	[kw]	0.55	0.75	1.1
	[hp]	0.75	1	1.5
Frame		80L	80L	90L
PN	[bar]	16	16	16
Code for Impeller diameter		C	B	A
DN _s	[mm]	65	65	65
DN _d	[mm]	50	50	50
a	[mm]	100	100	100
h ₂	[mm]	180	180	180
L	[mm]	243	243	253
h ₁	[mm]	160	160	160
G ₁	[mm]	121	121	121
G ₂	[mm]	138	138	138
m ₁	[mm]	100	100	100
m ₂	[mm]	70	70	70
n ₁	[mm]	265	265	265
n ₂	[mm]	212	212	212
b	[mm]	50	50	50
s	[mm]	14	14	14
H	[mm]	-	-	-
LB	[mm]	229	229	272
AD	[mm]	118	118	125
AG	[mm]	101	101	101
LL	[mm]	86	86	86
P	[mm]	200	200	200
C	[mm]	-	-	-
B	[mm]	-	-	-
A	[mm]	-	-	-
K	[mm]	-	-	-
Net Weight	[kg]	37	38	44
Gross Weight	[kg]	47	48	54
Volume	[m ³]	0.104	0.104	0.104

Performance curves

LES 50-1604

Single-stage end-suction pumps

4-pole



Performance Data At n=1450 RPM

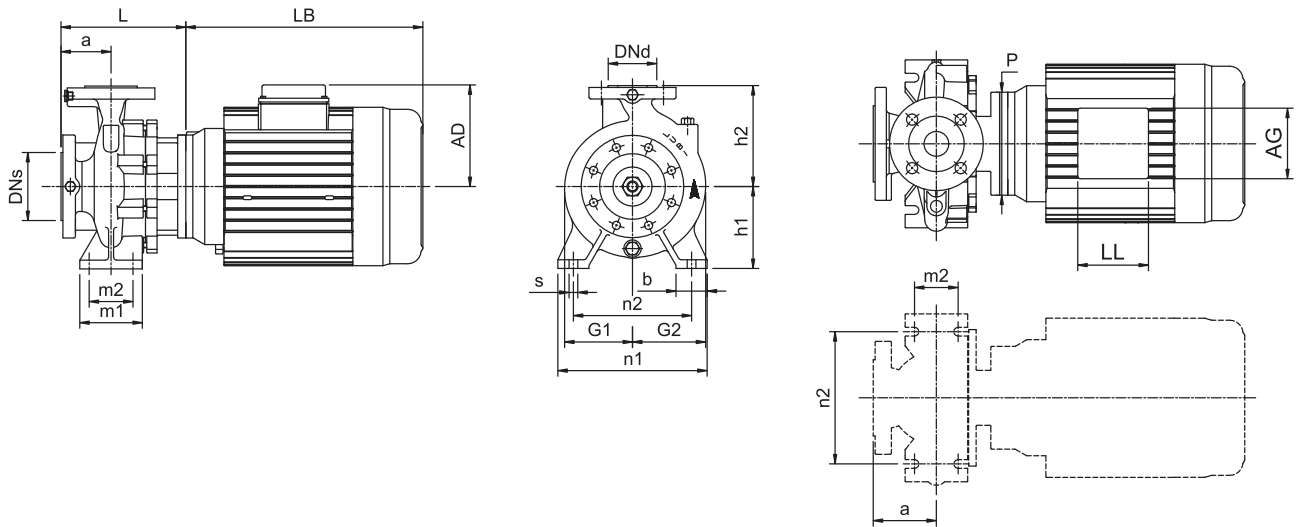
MODEL	POWER		m ³ /h	6	9	12	15	18	21	24	27	30	33	36
	KW	HP		l/min	100	150	200	250	300	350	400	450	500	550
LES 50-1604C	0.55	0.75	H (m)	6.6	6.6	6	6.4	6.3	6.1	5.7	5.3	4.4	-	-
LES 50-1604B	0.75	1.0		8.3	8.3	8.2	8.1	8	7.8	7.6	7.3	6.7	5.7	-
LES 50-1604A	1.1	1.5		10.1	10	10	9.9	9.8	9.7	9.5	9.2	8.7	8.2	5.1

Technical Data

LES 50-2004

Single-stage end-suction pumps

4-pole



4 POLE

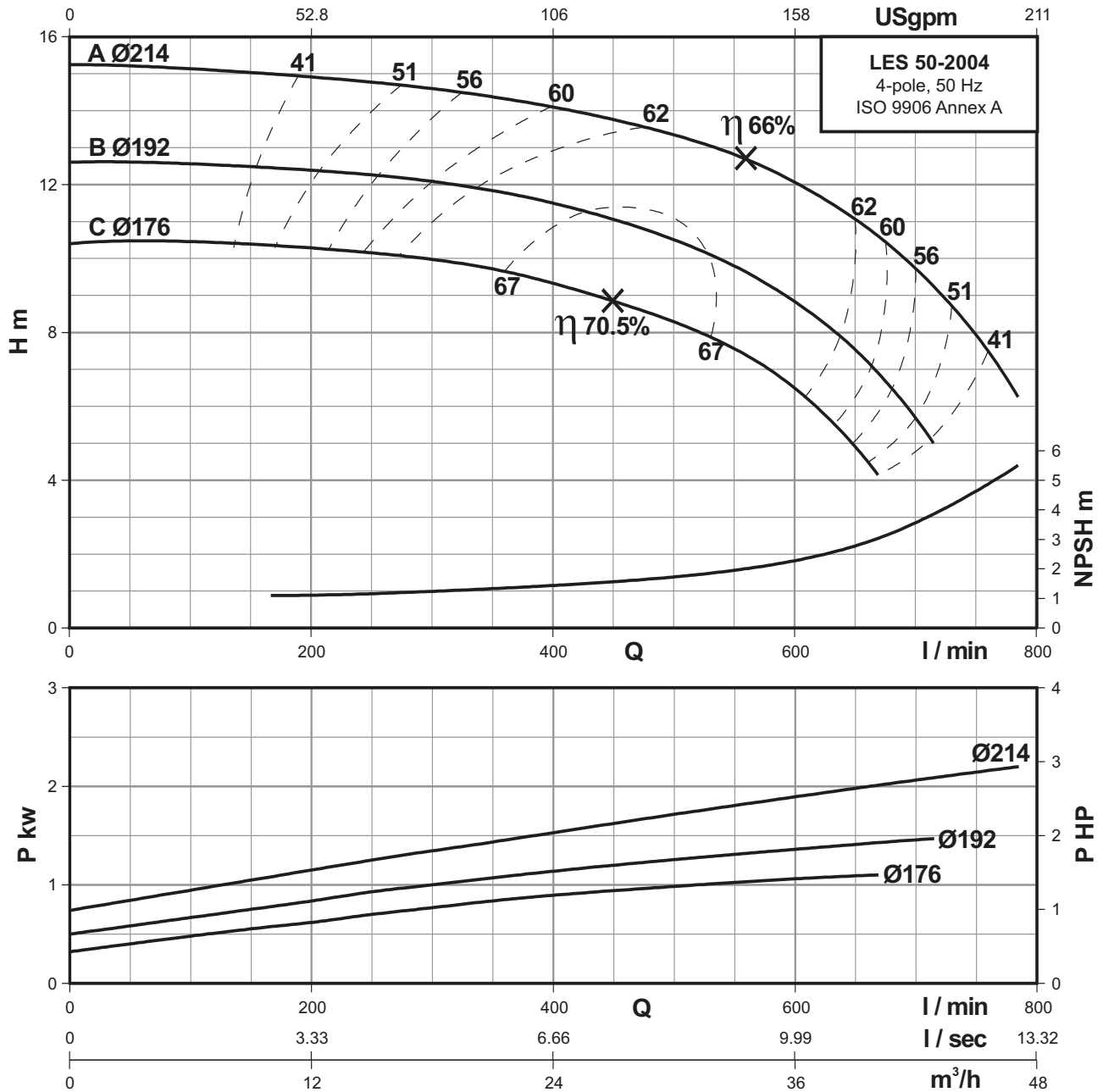
Power	[kw]	1.1	1.5	2.2
	[hp]	1.5	2	3
Frame		90L	90L	112M
PN	[bar]	16	16	16
Code for Impeller diameter		C	B	A
DN _s	[mm]	65	65	65
DN _d	[mm]	50	50	50
a	[mm]	100	100	100
h ₂	[mm]	200	200	200
L	[mm]	259	259	206
h ₁	[mm]	160	160	160
G ₁	[mm]	140	140	140
G ₂	[mm]	155	155	155
m ₁	[mm]	100	100	100
m ₂	[mm]	70	70	70
n ₁	[mm]	265	265	265
n ₂	[mm]	212	212	212
b	[mm]	50	50	50
s	[mm]	14	14	14
H	[mm]	-	-	-
LB	[mm]	272	272	356
AD	[mm]	125	125	150
AG	[mm]	101	101	112
LL	[mm]	86	86	112
P	[mm]	200	200	165
C	[mm]	-	-	-
B	[mm]	-	-	-
A	[mm]	-	-	-
K	[mm]	-	-	-
Net Weight	[kg]	49	51	63
Gross Weight	[kg]	59	61	73
Volume	[m ³]	0.104	0.104	0.142

Performance curves

LES 50-2004

Single-stage end-suction pumps

4-pole



Performance Data At n=1450 RPM

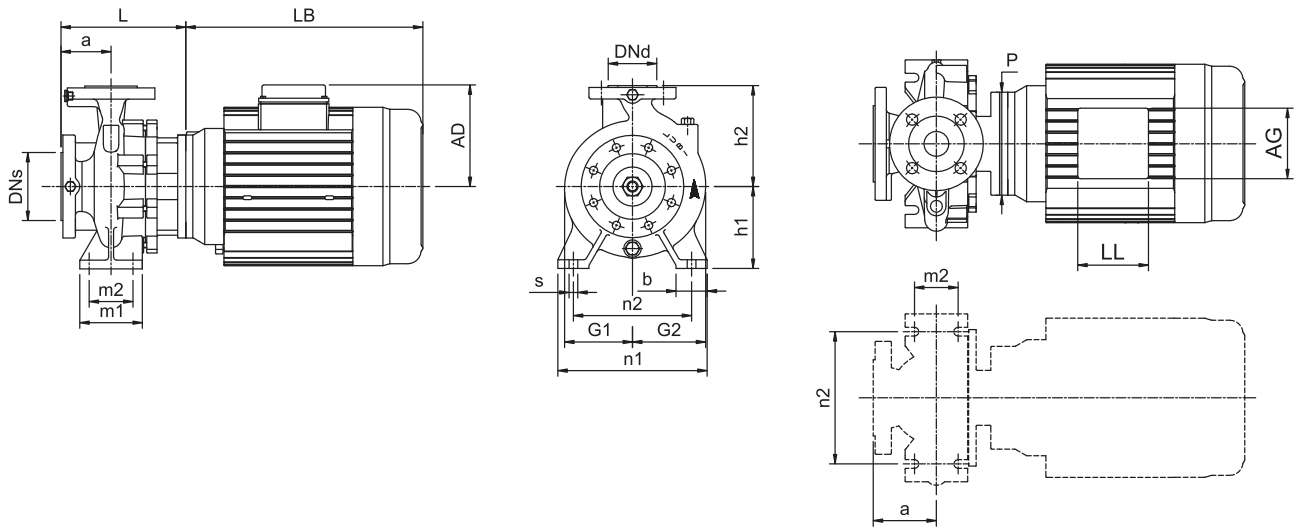
MODEL	POWER		m ³ /h	12	18	21	24	27	30	33	36	39	42	45	46.8
	KW	HP		l/min	200	300	350	400	450	500	550	600	650	700	750
LES 50-2004C	1.1	1.5	H (m)	10.3	10	9.7	9.3	8.8	8.3	7.6	6.5	5	-	-	-
LES 50-2004B	1.5	2.0		12.4	12.1	11.9	11.5	11	10.5	9.8	8.8	7.5	5.6	-	-
LES 50-2004A	2.2	3.0		14.9	14.6	14.4	14.1	13.7	13.4	12.8	12	11	9.7	8	6.5

Technical Data

LES 50-2504

Single-stage end-suction pumps

4-pole



4 POLE

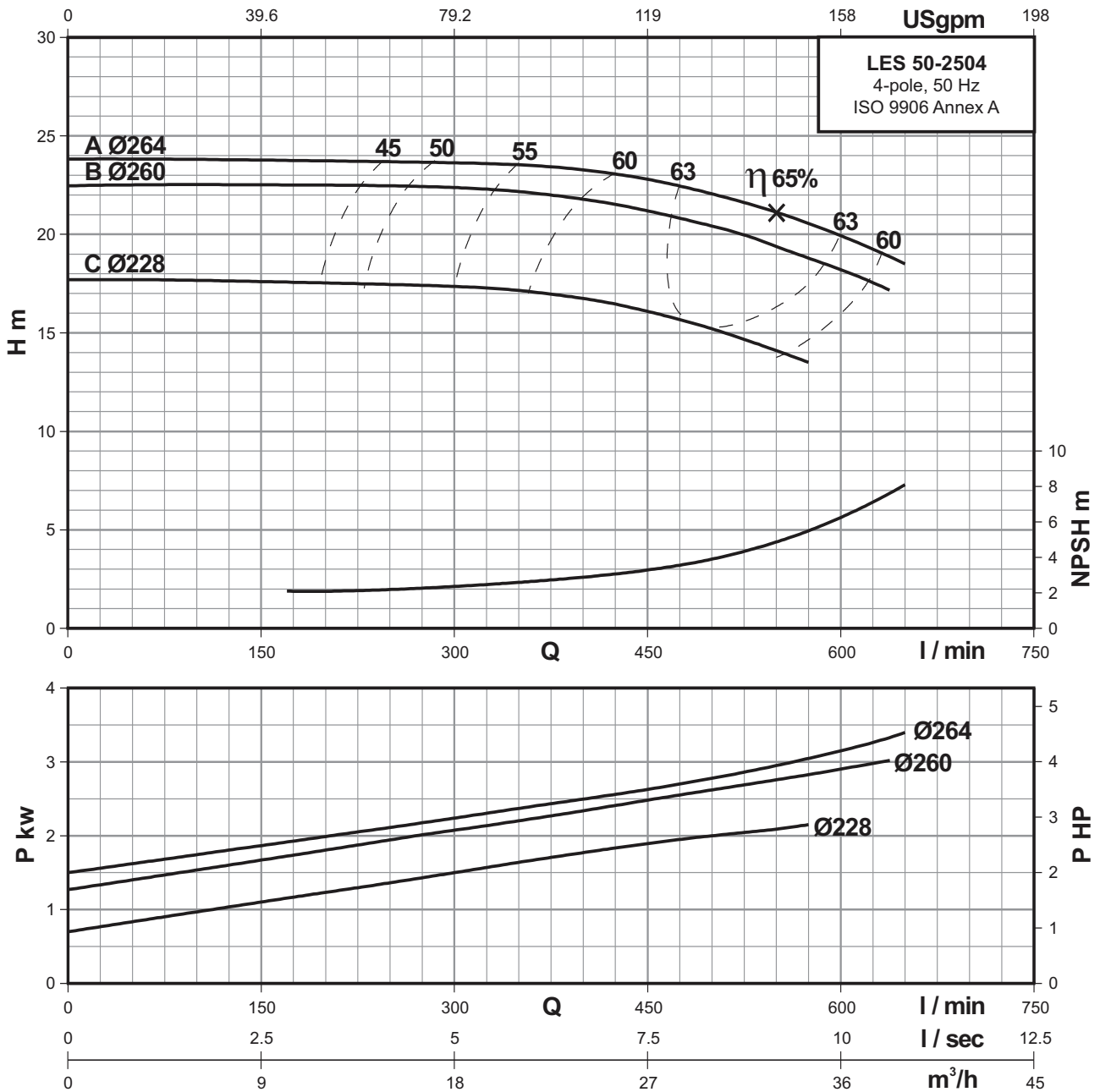
Power	[kw]	2.2	3	4
	[hp]	3	4	5.5
Frame		112M	112M	112M
PN	[bar]	16	16	16
Code for Impeller diameter		C	B	A
DN _s	[mm]	65	65	65
DN _d	[mm]	50	50	50
a	[mm]	100	100	100
h ₂	[mm]	225	225	225
L	[mm]	204	204	204
h ₁	[mm]	180	180	180
G ₁	[mm]	161	161	161
G ₂	[mm]	175	175	175
m ₁	[mm]	125	125	125
m ₂	[mm]	95	95	95
n ₁	[mm]	320	320	320
n ₂	[mm]	250	250	250
b	[mm]	65	65	65
s	[mm]	14	14	14
H	[mm]	-	-	-
LB	[mm]	356	356	356
AD	[mm]	150	150	150
AG	[mm]	112	112	112
LL	[mm]	112	112	112
P	[mm]	165	165	165
C	[mm]	-	-	-
B	[mm]	-	-	-
A	[mm]	-	-	-
K	[mm]	-	-	-
Net Weight	[kg]	75	77	79
Gross Weight	[kg]	85	87	89
Volume	[m ³]	0.142	0.142	0.142

Performance curves

LES 50-2504

Single-stage end-suction pumps

4-pole



4 POLE

Performance Data At n=1450 RPM

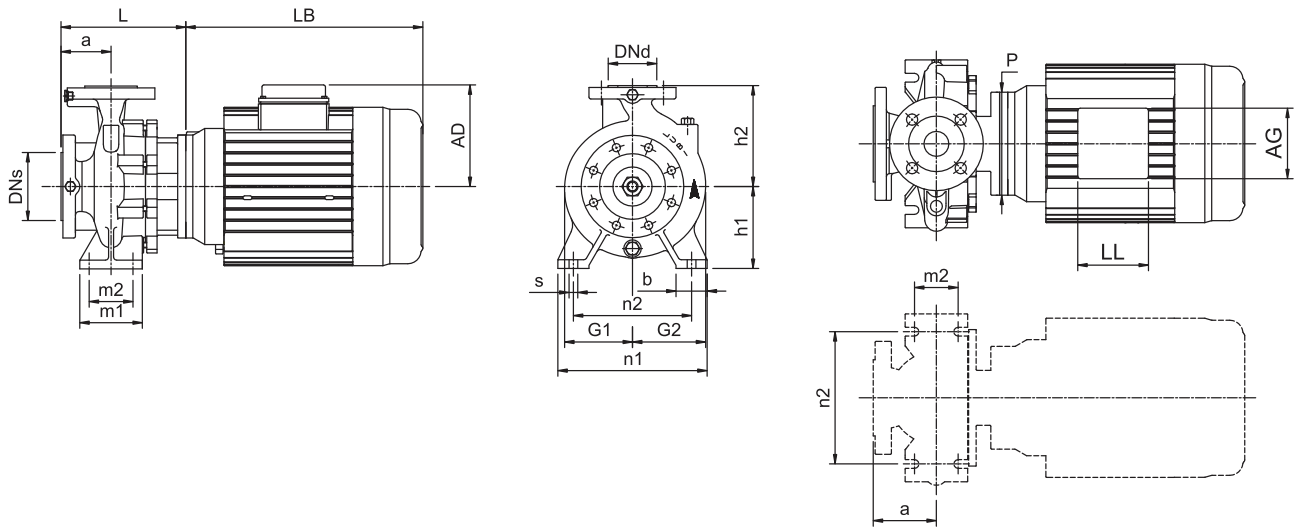
MODEL	POWER		m³/h l/min	9	12	15	18	21	24	27	30	33	36	39
	KW	HP		150	200	250	300	350	400	450	500	550	600	650
LES 50-2504C	2.2	3.0	H (m)	17.6	17.5	17.4	17.3	17.2	16.8	16.1	15.1	14.1	-	-
LES 50-2504B	3.0	4.0		22.5	22.5	22.4	22.4	22.2	21.8	21.2	20.4	19.4	18.2	-
LES 50-2504A	4.0	5.5		23.8	23.8	23.7	23.6	23.5	23.2	22.9	22	21.1	20	18.5

Technical Data

LES 65-1254

Single-stage end-suction pumps

4-pole



4 POLE

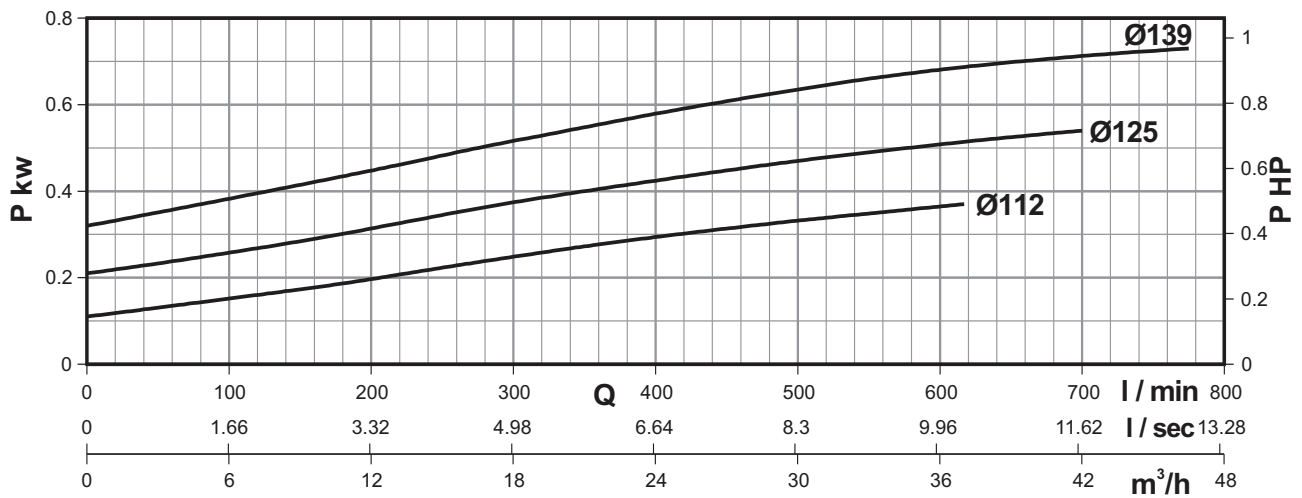
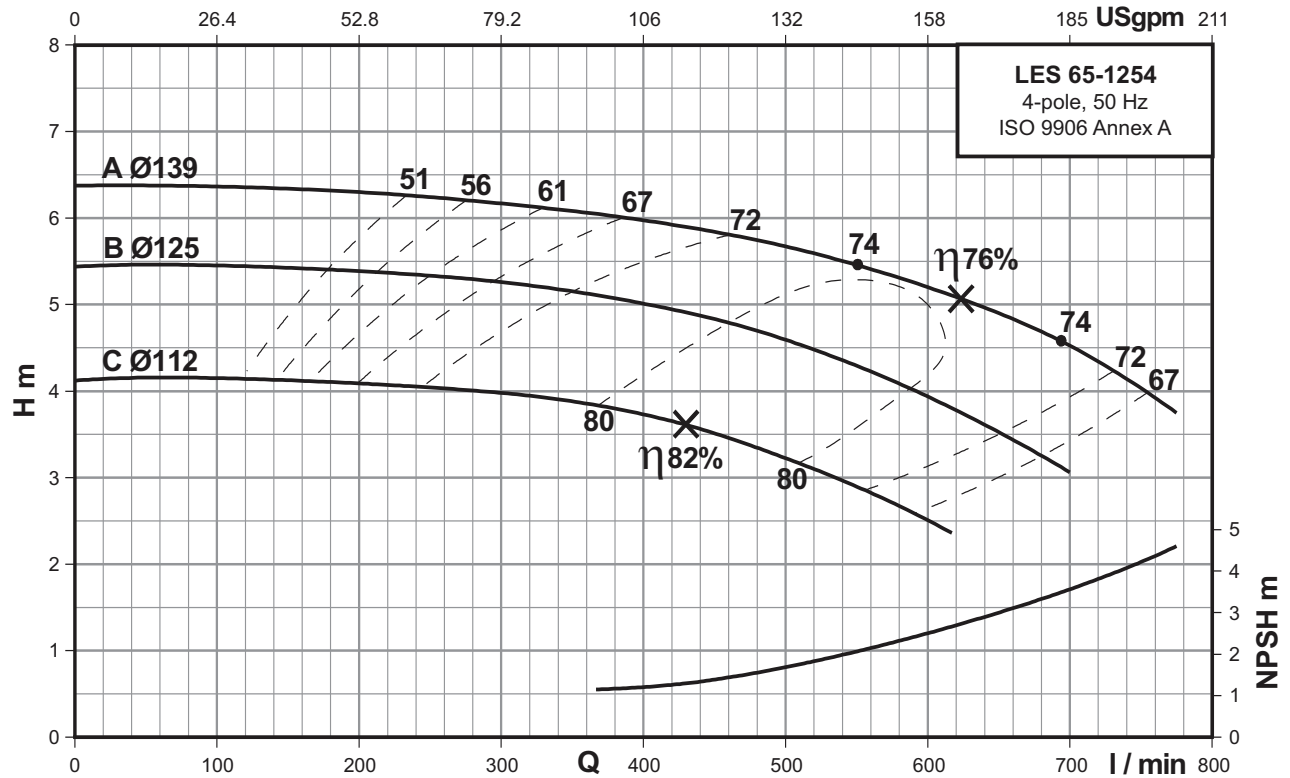
Power	[kw]	0.37	0.55	0.75
	[hp]	0.5	0.75	1
Frame		71L	80L	80L
PN	[bar]	16	16	16
Code for Impeller diameter		C	B	A
DN _s	[mm]	80	80	80
DN _d	[mm]	65	65	65
a	[mm]	100	100	100
h ₂	[mm]	180	180	180
L	[mm]	230	250	250
h ₁	[mm]	160	160	160
G ₁	[mm]	104	104	104
G ₂	[mm]	129	129	129
m ₁	[mm]	125	125	125
m ₂	[mm]	95	95	95
n ₁	[mm]	280	280	280
n ₂	[mm]	212	212	212
b	[mm]	65	65	65
s	[mm]	14	14	14
H	[mm]	-	-	-
LB	[mm]	212	229	229
AD	[mm]	106	118	118
AG	[mm]	85	101	101
LL	[mm]	85	86	86
P	[mm]	160	200	200
C	[mm]	-	-	-
B	[mm]	-	-	-
A	[mm]	-	-	-
K	[mm]	-	-	-
Net Weight	[kg]	37	38	39
Gross Weight	[kg]	45	48	49
Volume	[m ³]	0.082	0.104	0.104

Performance curves

LES 65-1254

Single-stage end-suction pumps

4-pole



4 POLE

Performance Data At n=1450 RPM

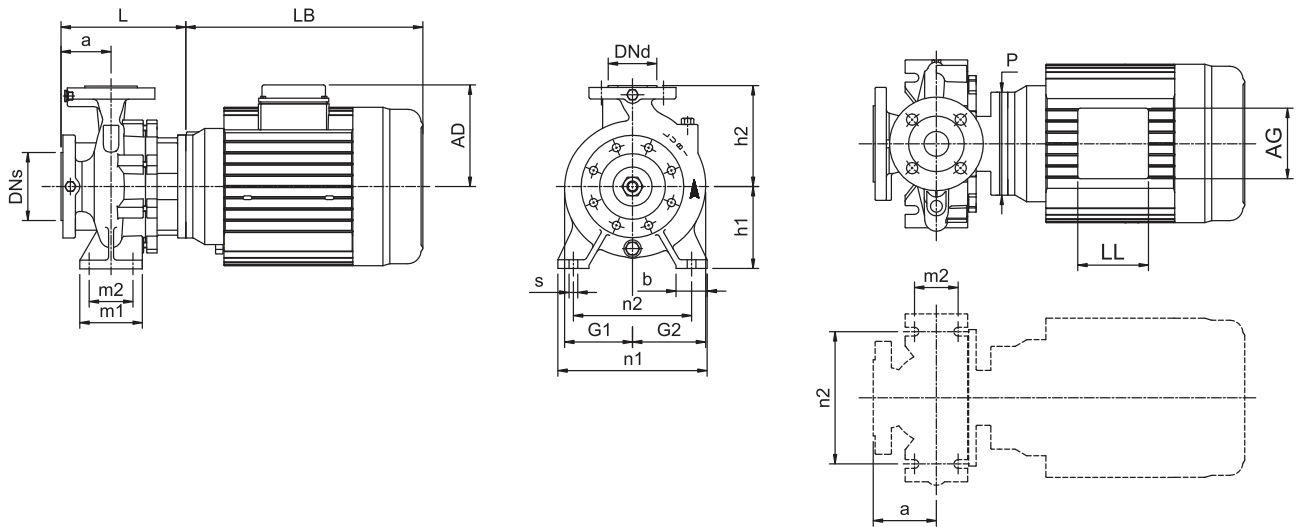
MODEL	POWER		m³/h	12	18	21	24	27	30	33	36	39	42	45	46.8
	KW	HP		l/min	200	300	350	400	450	500	550	600	650	700	750
LES 65-1254C	0.37	0.5	H (m)	4.1	4	3.8	3.7	3.5	3.2	2.9	2.5	-	-	-	-
LES 65-1254B	0.55	0.75		5.4	5.3	5.2	5	4.8	4.6	4.3	3.9	3.5	3.1	-	-
LES 65-1254A	0.75	1.0		6.3	6.2	6.1	6	5.8	5.7	5.4	5.2	4.9	4.5	4.1	3.7

Technical Data

LES 65-1604

Single-stage end-suction pumps

4-pole



4 POLE

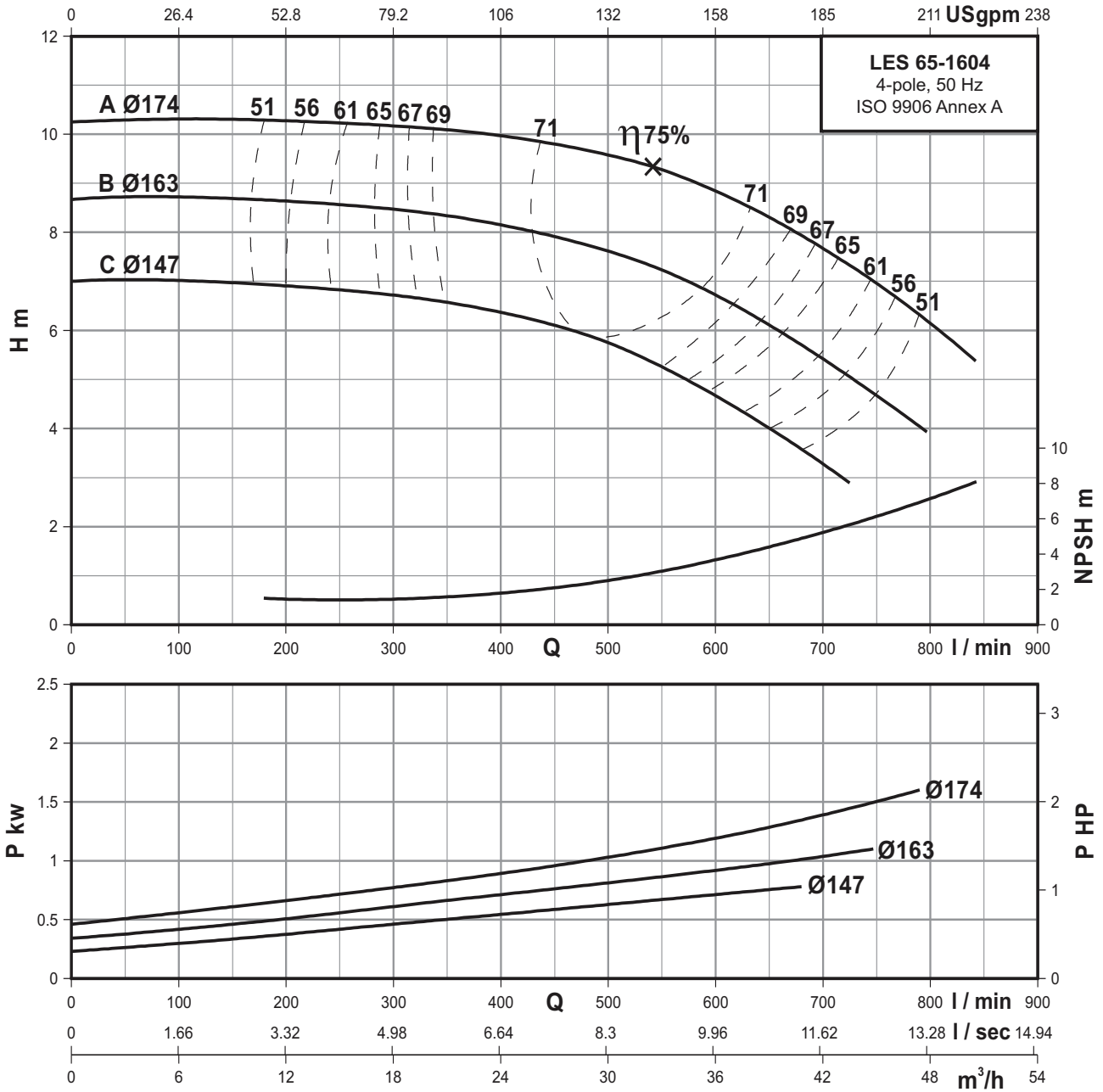
Power	[kw]	0.75	1.1	1.5
	[hp]	1	1.5	2
Frame		80L	90L	90L
PN	[bar]	16	16	16
Code for Impeller diameter		C	B	A
DN _s	[mm]	80	80	80
DN _d	[mm]	65	65	65
a	[mm]	100	100	100
h ₂	[mm]	200	200	200
L	[mm]	243	253	253
h ₁	[mm]	160	160	160
G ₁	[mm]	120	120	120
G ₂	[mm]	140	140	140
m ₁	[mm]	125	125	125
m ₂	[mm]	95	95	95
n ₁	[mm]	280	280	280
n ₂	[mm]	212	212	212
b	[mm]	65	65	65
s	[mm]	14	14	14
H	[mm]	-	-	-
LB	[mm]	229	272	272
AD	[mm]	118	125	125
AG	[mm]	101	101	101
LL	[mm]	86	86	86
P	[mm]	200	200	200
C	[mm]	-	-	-
B	[mm]	-	-	-
A	[mm]	-	-	-
K	[mm]	-	-	-
Net Weight	[kg]	42	48	50
Gross Weight	[kg]	52	58	60
Volume	[m ³]	0.104	0.104	0.104

Performance curves

LES 65-1604

Single-stage end-suction pumps

4-pole



Performance Data At n=1450 RPM

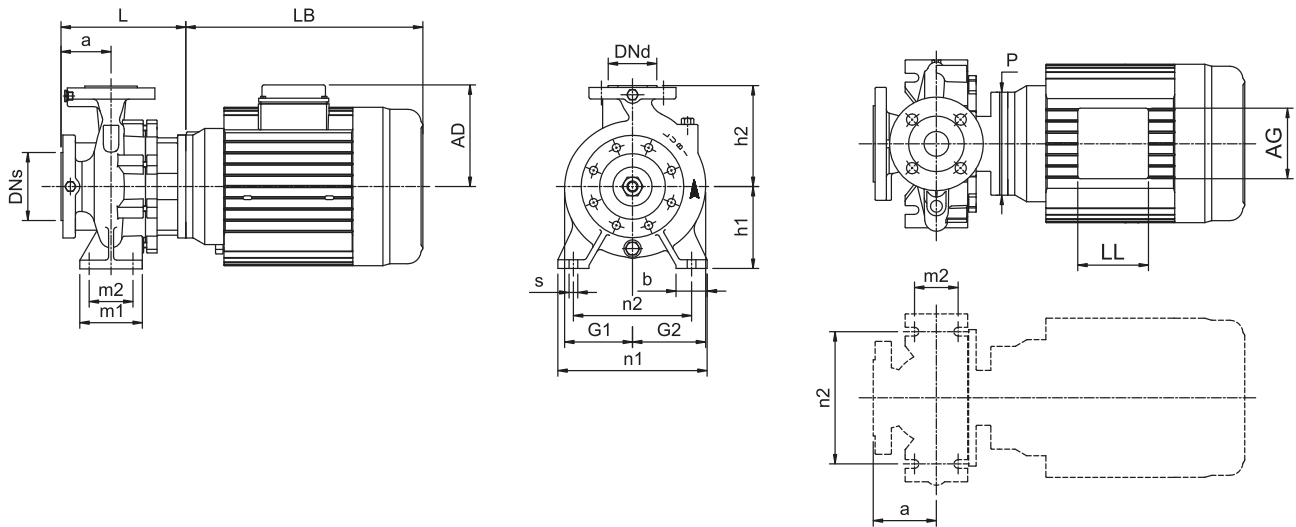
MODEL	POWER		m ³ /h	18	21	24	27	30	33	36	39	42	45	48	51
	KW	HP		l/min	300	350	400	450	500	550	600	650	700	750	800
LES 65-1604C	0.75	1.0	H (m)	6.7	6.6	6.3	6.1	5.8	5.3	4.6	4	3.4	-	-	-
LES 65-1604B	1.1	1.5		8.4	8.3	8.1	7.9	7.6	7.3	6.7	6.1	5.5	4.6	3.9	-
LES 65-1604A	1.5	2.0		10.2	10.1	10	9.8	9.6	9.2	8.9	8.3	7.6	7	6.1	5.3

Technical Data

Single-stage end-suction pumps

LES 65-160L4

4-pole



4 POLE

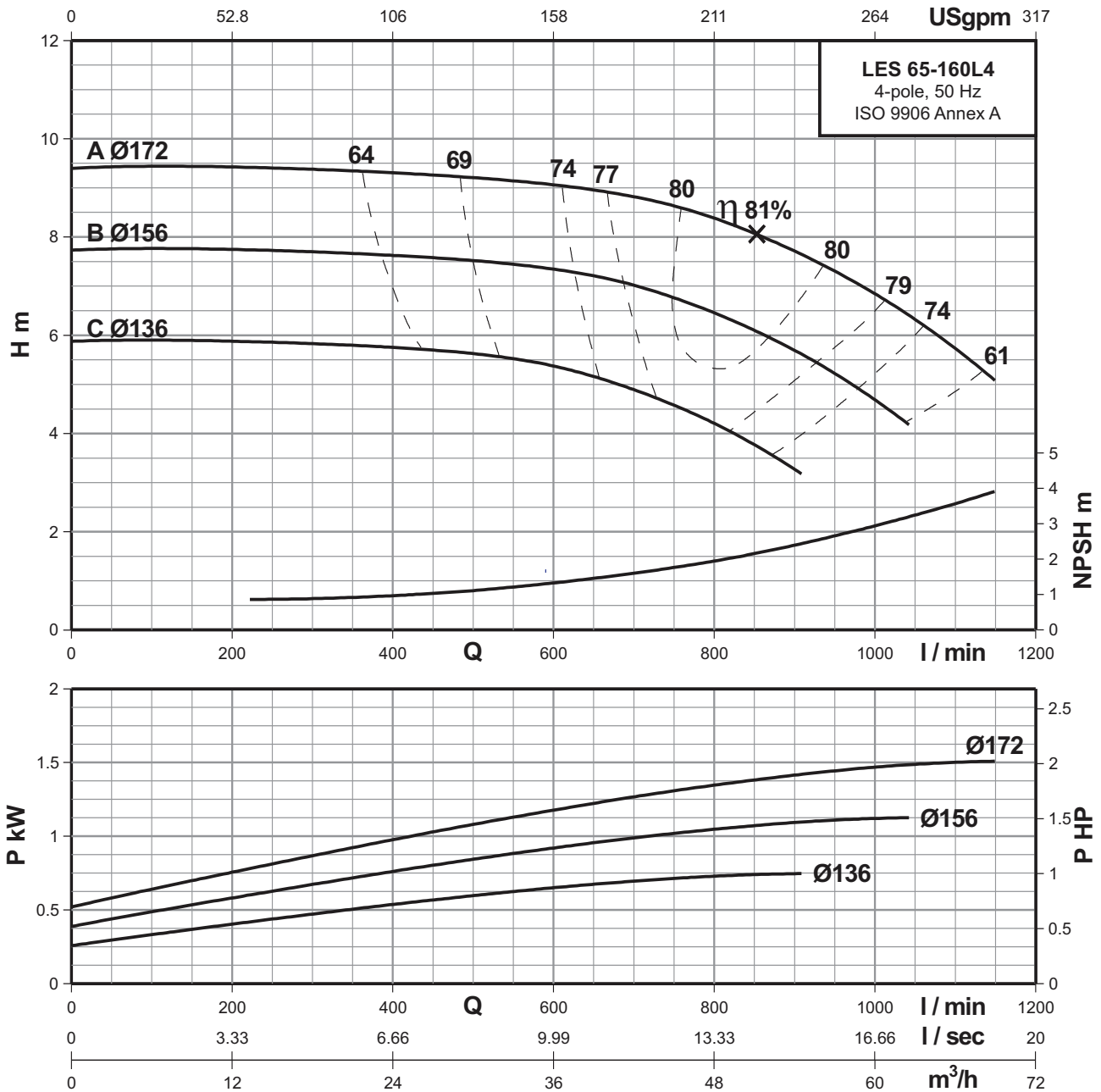
Power	[kw]	0.75	1.1	1.5
	[hp]	1	1.5	2
Frame		80L	90L	90L
PN	[bar]	16	16	16
Code for Impeller diameter		C	B	A
DN _s	[mm]	80	80	80
DN _d	[mm]	65	65	65
a	[mm]	100	100	100
h ₂	[mm]	200	200	200
L	[mm]	243	253	253
h ₁	[mm]	160	160	160
G ₁	[mm]	120	120	120
G ₂	[mm]	140	140	140
m ₁	[mm]	125	125	125
m ₂	[mm]	95	95	95
n ₁	[mm]	280	280	280
n ₂	[mm]	212	212	212
b	[mm]	65	65	65
s	[mm]	14	14	14
H	[mm]	-	-	-
LB	[mm]	229	272	272
AD	[mm]	118	125	125
AG	[mm]	101	101	101
LL	[mm]	86	86	86
P	[mm]	200	200	200
C	[mm]	-	-	-
B	[mm]	-	-	-
A	[mm]	-	-	-
K	[mm]	-	-	-
Net Weight	[kg]	42	48	50
Gross Weight	[kg]	52	58	60
Volume	[m ³]	0.104	0.104	0.104

Performance curves

LES 65-160L4

Single-stage end-suction pumps

4-pole



Performance Data At n=1450 RPM

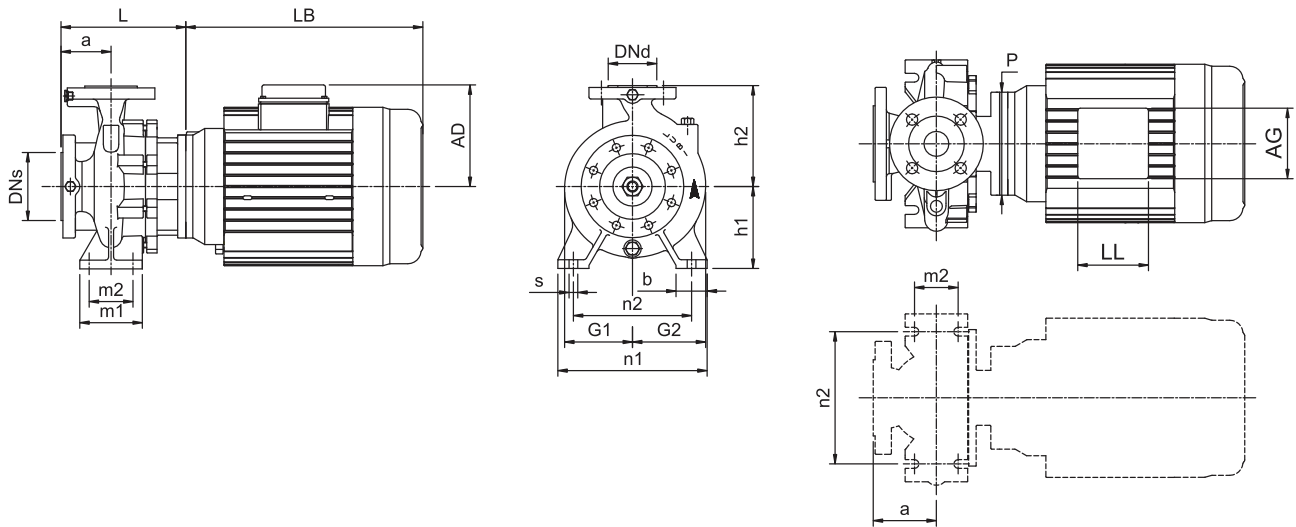
MODEL	POWER		m ³ /h l/min	6	12	18	24	30	36	42	48	54	60	66
	KW	HP		H (m)	100	200	300	400	500	600	700	800	900	1000
LES 65-160L4C	0.75	1.0	H (m)	5.9	5.8	5.8	5.7	5.6	5.4	4.8	4.2	3.3	-	-
LES 65-160L4B	1.1	1.5		7.8	7.7	7.7	7.6	7.5	7.4	7	6.5	5.6	4.7	-
LES 65-160L4A	1.5	2.0		9.4	9.4	9.3	9.3	9.2	9.1	8.8	8.4	7.7	6.8	5.7

Technical Data

LES 65-2004

Single-stage end-suction pumps

4-pole



4 POLE

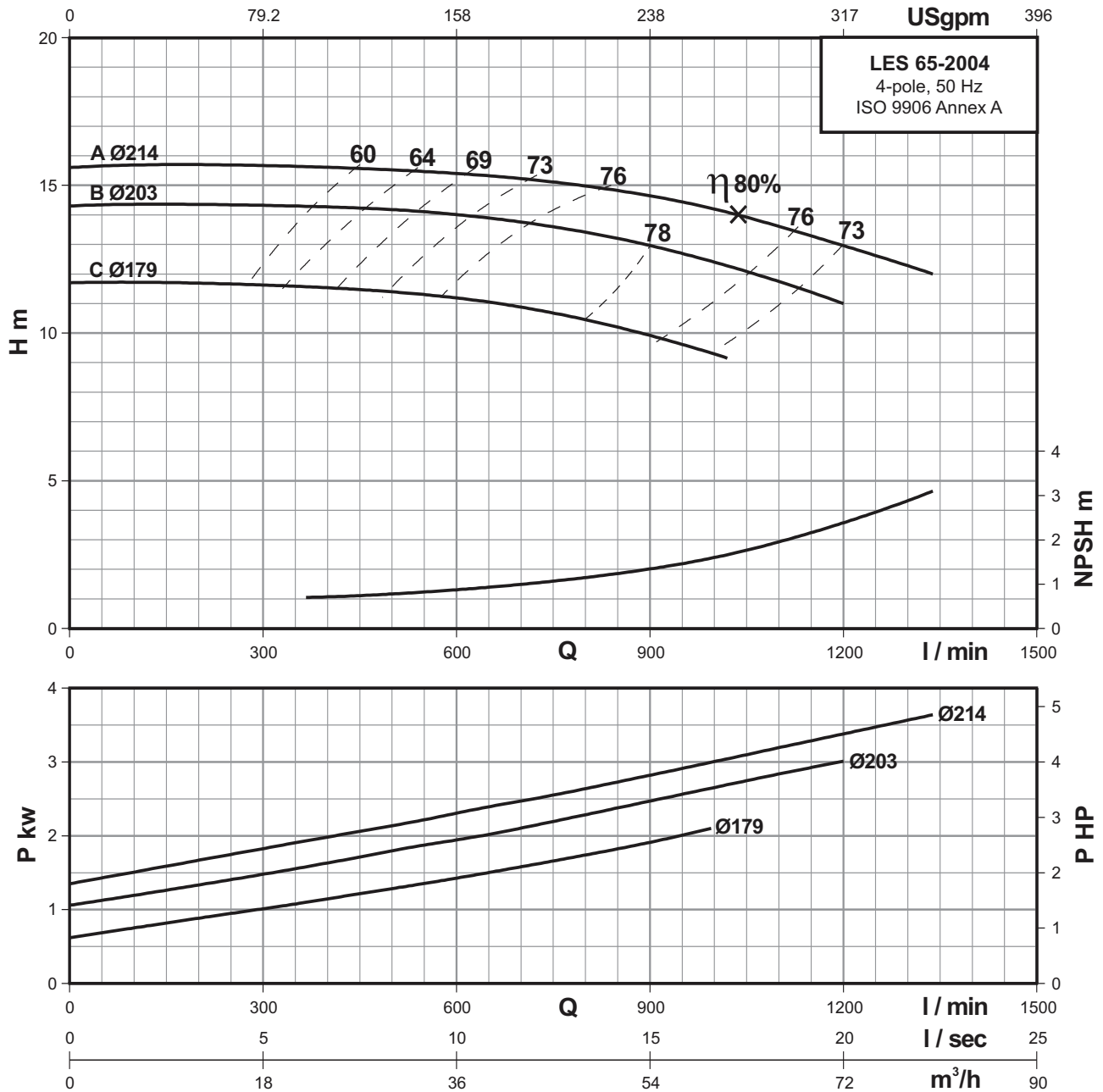
Power	[kw]	2.2	3	4
	[hp]	3	4	5.5
Frame		112M	112M	112M
PN	[bar]	16	16	16
Code for Impeller diameter		C	B	A
DN _s	[mm]	80	80	80
DN _d	[mm]	65	65	65
a	[mm]	100	100	100
h ₂	[mm]	225	225	225
L	[mm]	206	206	206
h ₁	[mm]	180	180	180
G ₁	[mm]	150	150	150
G ₂	[mm]	173	173	173
m ₁	[mm]	125	125	125
m ₂	[mm]	95	95	95
n ₁	[mm]	320	320	320
n ₂	[mm]	250	250	250
b	[mm]	65	65	65
s	[mm]	14	14	14
H	[mm]	-	-	-
LB	[mm]	356	356	356
AD	[mm]	150	150	150
AG	[mm]	112	112	112
LL	[mm]	112	112	112
P	[mm]	165	165	165
C	[mm]	-	-	-
B	[mm]	-	-	-
A	[mm]	-	-	-
K	[mm]	-	-	-
Net Weight	[kg]	69	71	73
Gross Weight	[kg]	79	81	83
Volume	[m ³]	0.225	0.225	0.225

Performance curves

LES 65-2004

Single-stage end-suction pumps

4-pole



Performance Data At n=1450 RPM

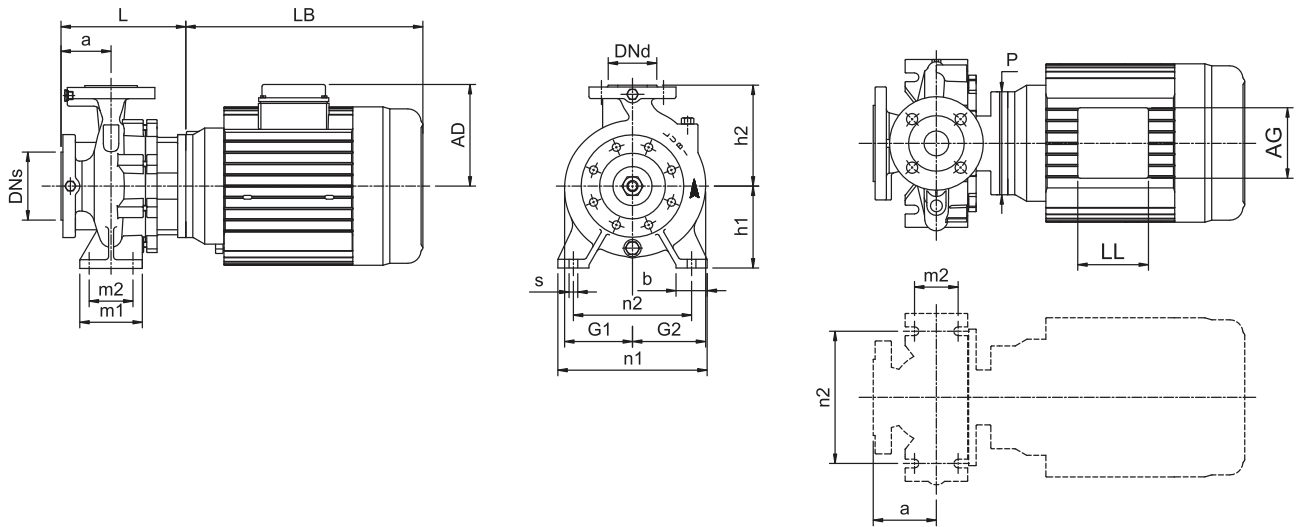
MODEL	POWER		m³/h l/min	24	30	36	42	48	54	60	66	72	78	81
	KW	HP		400	500	600	700	800	900	1000	1100	1200	1300	1350
LES 65-2004C	2.2	3.0	H (m)	11.5	11.4	11.2	10.9	10.4	10	9.3	-	-	-	-
LES 65-2004B	3.0	4.0		14.3	14.2	14	13.8	13.4	13	12.4	11.8	11	-	-
LES 65-2004A	4.0	5.5		15.6	15.5	15.4	15.2	15	14.6	14.2	13.6	13	12.3	11.9

Technical Data

LES 65-2504

Single-stage end-suction pumps

4-pole



4 POLE

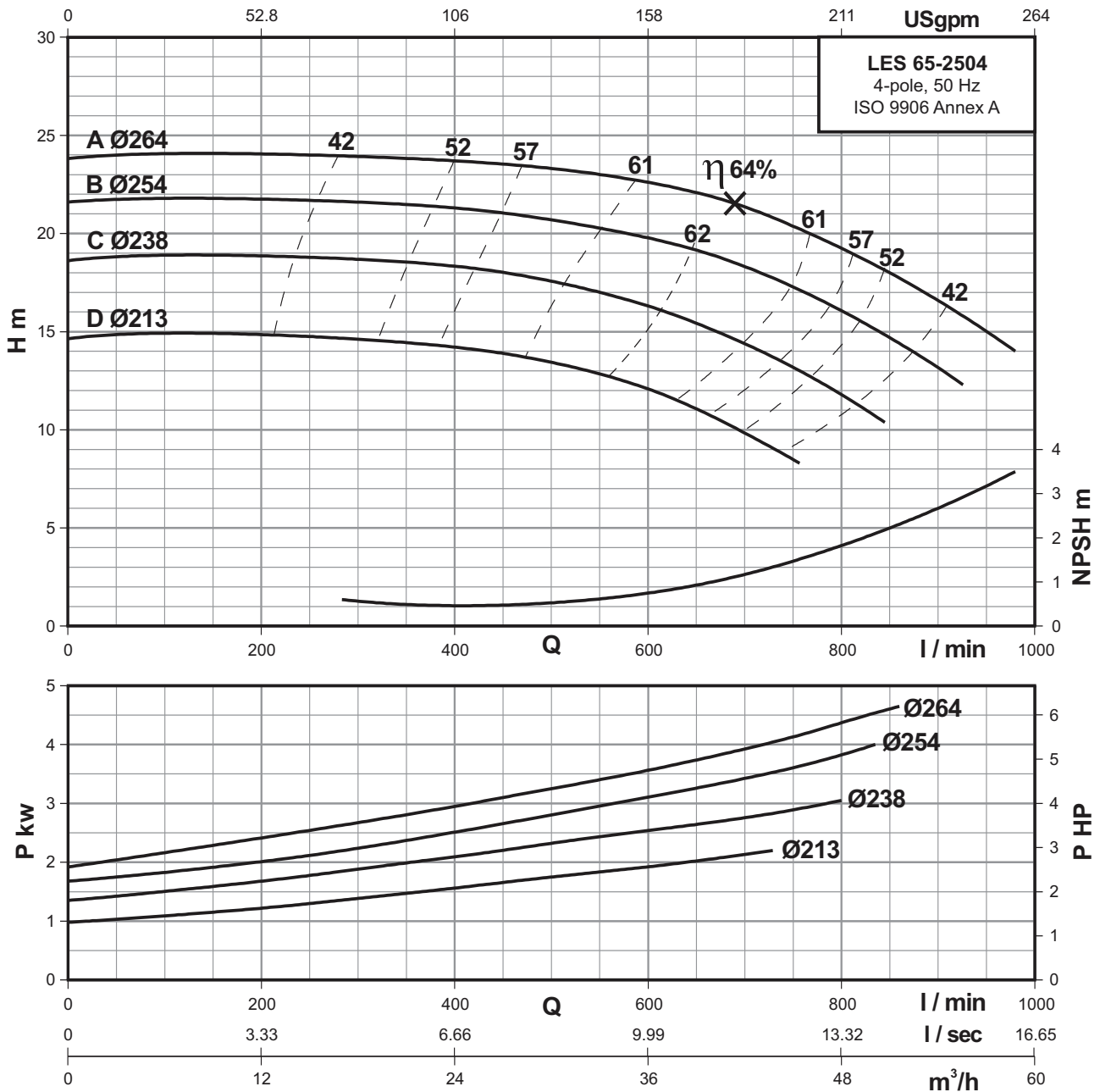
Power	[kw]	2.2	3	4	5.5
	[hp]	3	4	5.5	7.5
Frame		112M	112M	112M	132M
PN	[bar]	16	16	16	16
Code for Impeller diameter		D	C	B	A
DN _s	[mm]	80	80	80	80
DN _d	[mm]	65	65	65	65
a	[mm]	100	100	100	100
h ₂	[mm]	250	250	250	250
L	[mm]	211	211	211	217
h ₁	[mm]	200	200	200	200
G ₁	[mm]	165	165	165	165
G ₂	[mm]	183	183	183	183
m ₁	[mm]	160	160	160	160
m ₂	[mm]	120	120	120	120
n ₁	[mm]	360	360	360	360
n ₂	[mm]	280	280	280	280
b	[mm]	80	80	80	80
s	[mm]	18	18	18	18
H	[mm]	-	-	-	-
LB	[mm]	356	356	356	417
AD	[mm]	150	150	150	178
AG	[mm]	112	112	112	112
LL	[mm]	112	112	112	112
P	[mm]	165	165	165	225
C	[mm]	-	-	-	-
B	[mm]	-	-	-	-
A	[mm]	-	-	-	-
K	[mm]	-	-	-	-
Net Weight	[kg]	85	87	89	115
Gross Weight	[kg]	95	97	99	125
Volume	[m ³]	0.225	0.225	0.225	0.225

Performance curves

LES 65-2504

Single-stage end-suction pumps

4-pole



Performance Data At n=1450 RPM

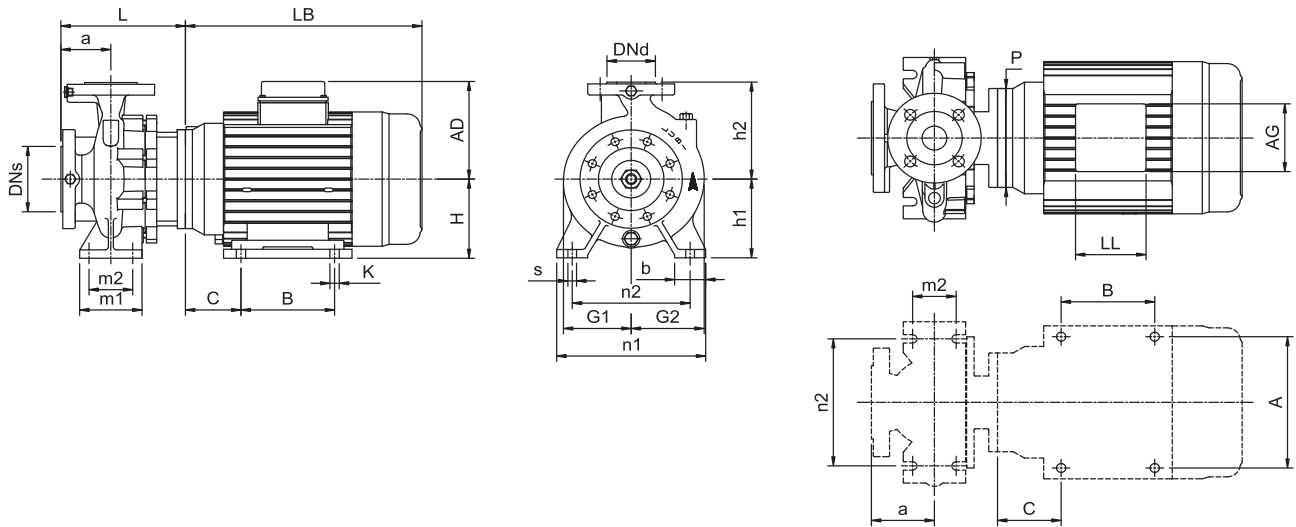
MODEL	POWER		m³/h l/min	18	21	24	27	30	33	36	39	42	48	54	58.8
	KW	HP		300	350	400	450	500	550	600	650	700	800	900	980
LES 65-2504D	2.2	3.0	H (m)	14.6	14.4	14.2	13.9	13.5	12.9	12	11	9.9	-	-	-
LES 65-2504C	3.0	4.0		18.7	18.5	18.3	18	17.6	17	16.3	15.5	14.4	11.9	-	-
LES 65-2504B	4.0	5.5		21.6	21.5	21.3	21	20.8	20.2	19.8	19.1	18.3	16	13	-
LES 65-2504A	5.5	7.5		24	23.9	23.7	23.5	23.3	23	22.6	22	21.4	19.2	16.5	14

Technical Data

LES 65-3154

Single-stage end-suction pumps

4-pole



4 POLE

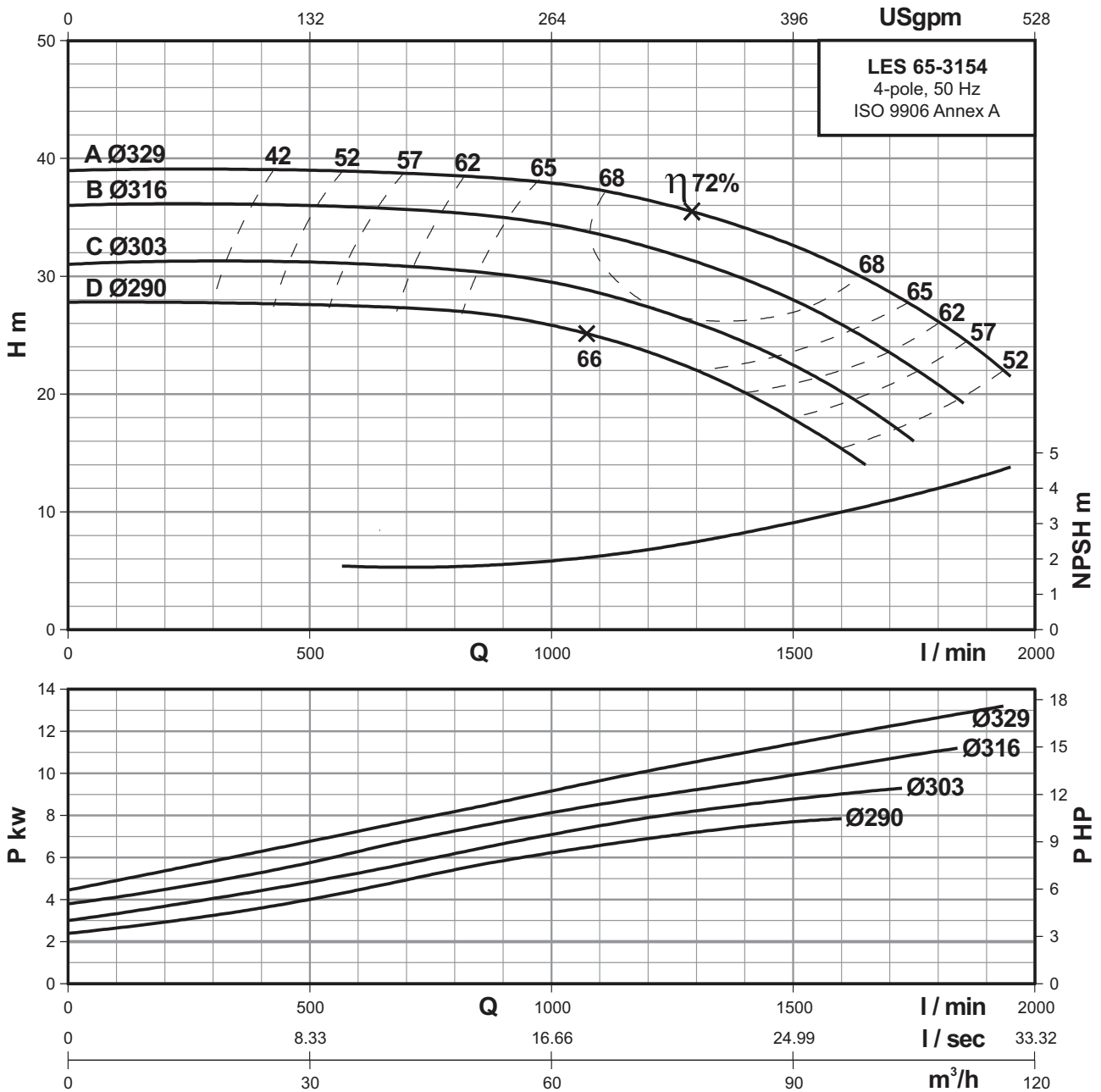
Power	[kw]	7.5	9.3	11	15
	[hp]	10	12.5	15	20
Frame		132M	160M	160M	160L
PN	[bar]	16	16	16	16
Code for Impeller diameter		D	C	B	A
DN _s	[mm]	80	80	80	80
DN _d	[mm]	65	65	65	65
a	[mm]	125	125	125	125
h ₂	[mm]	280	280	280	280
L	[mm]	251	263	263	263
h ₁	[mm]	225	225	225	225
G ₁	[mm]	202	202	202	202
G ₂	[mm]	220	220	220	220
m ₁	[mm]	160	160	160	160
m ₂	[mm]	120	120	120	120
n ₁	[mm]	400	400	400	400
n ₂	[mm]	315	315	315	315
b	[mm]	80	80	80	80
s	[mm]	18	18	18	18
H	[mm]	-	160	160	160
LB	[mm]	417	500	500	544
AD	[mm]	178	222	222	222
AG	[mm]	112	152	152	152
LL	[mm]	112	152	152	152
P	[mm]	225	254	254	254
C	[mm]	-	108	108	108
B	[mm]	-	210	210	254
A	[mm]	-	254	254	254
K	[mm]	-	15	15	15
Net Weight	[kg]	136	144	154	171
Gross Weight	[kg]	146	206	216	233
Volume	[m ³]	0.251	0.447	0.447	0.447

Performance curves

LES 65-3154

Single-stage end-suction pumps

4-pole



Performance Data At n=1450 RPM

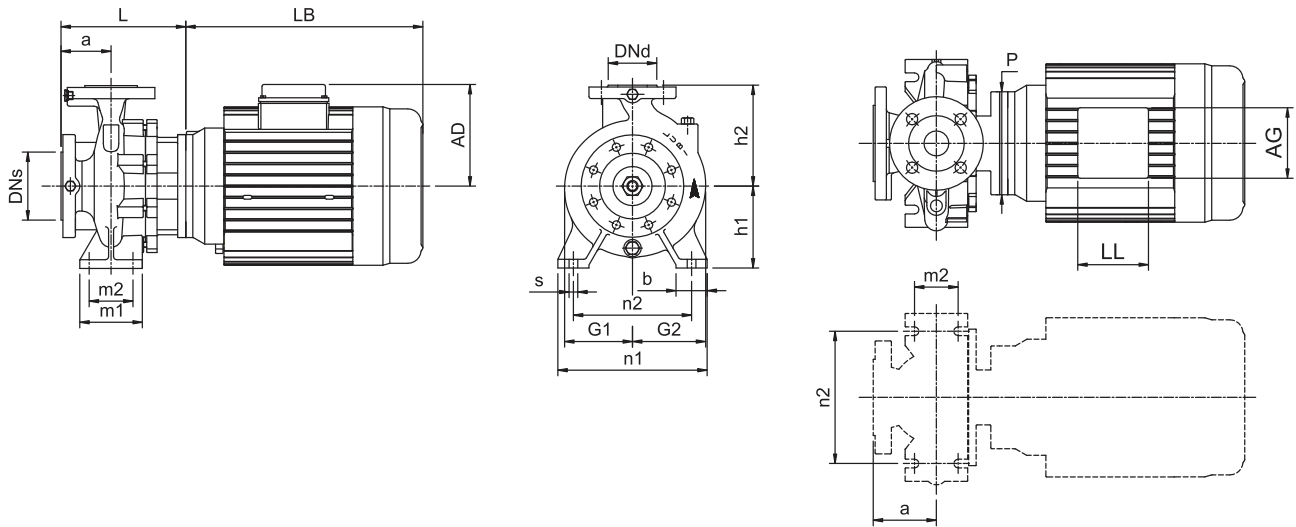
MODEL	POWER		m³/h l/min	42	48	54	60	66	72	84	96	108	114
	KW	HP		700	800	900	1000	1100	1200	1400	1600	1800	1900
LES 65-3154D	7.5	10.0	H (m)	27.3	27	26.8	26	24.8	23.6	20	15.2	-	-
LES 65-3154C	9.3	12.5		30.8	30.5	30	29.5	28.5	27.4	24.5	20	-	-
LES 65-3154B	11.0	15.0		36.6	36.4	36	34.4	33.6	32.4	29.8	26	20.8	-
LES 65-3154A	15.0	20.0		38.8	38.5	38.3	38	37.3	36.4	34	30.8	26	23

Technical Data

LES 80-1604

Single-stage end-suction pumps

4-pole



4 POLE

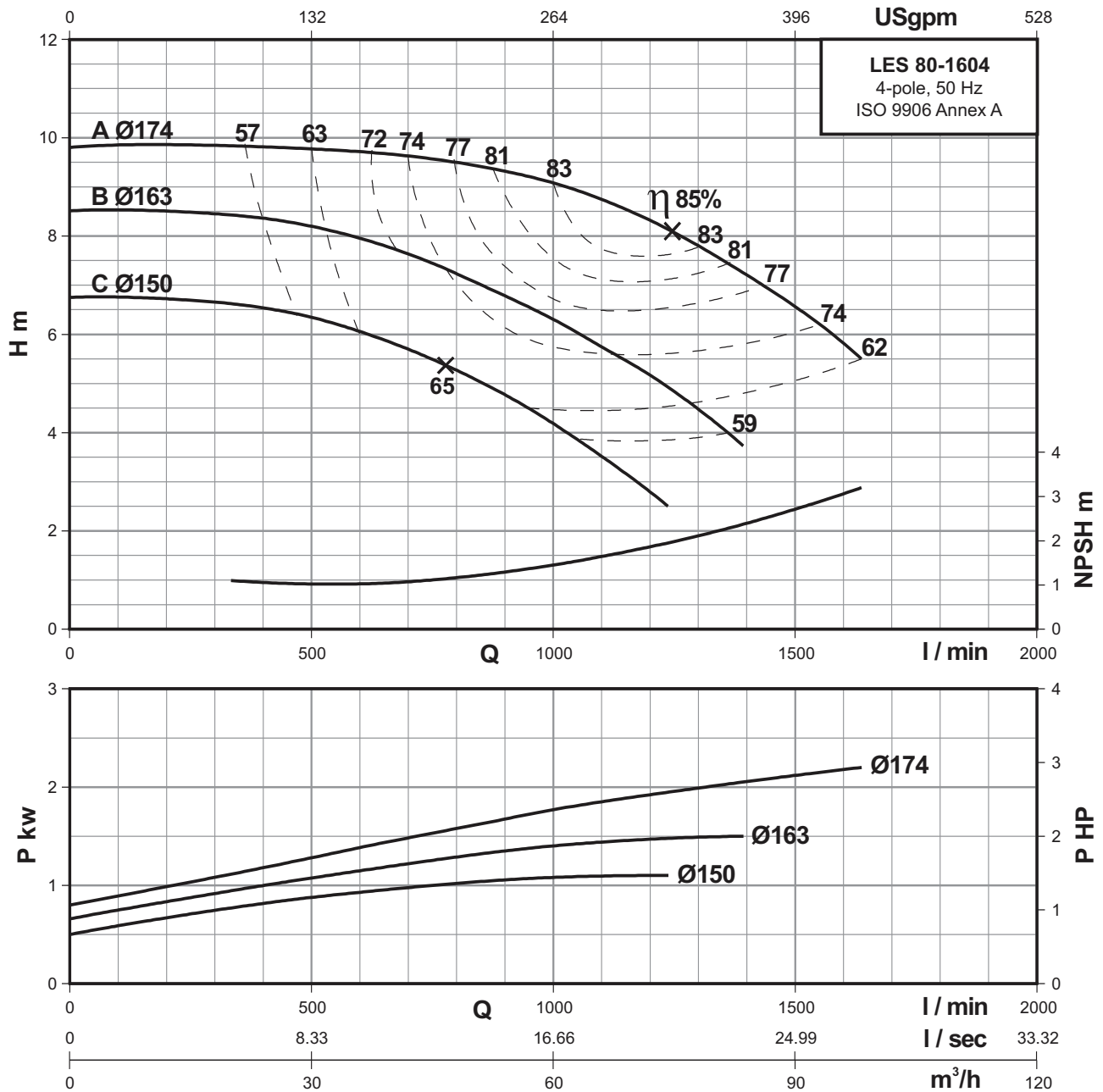
Power	[kw]	1.1	1.5	2.2
	[hp]	1.5	2	3
Frame		90L	90L	112M
PN	[bar]	16	16	16
Code for Impeller diameter		C	B	A
DN1	[mm]	100	100	100
DNd	[mm]	80	80	80
a	[mm]	125	125	125
h2	[mm]	225	225	225
L	[mm]	289	289	229
h1	[mm]	180	180	180
G1	[mm]	132	132	132
G2	[mm]	157	157	157
m1	[mm]	125	125	125
m2	[mm]	95	95	95
n1	[mm]	320	320	320
n2	[mm]	250	250	250
b	[mm]	65	65	65
s	[mm]	14	14	14
H	[mm]	-	-	-
LB	[mm]	272	272	356
AD	[mm]	125	125	150
AG	[mm]	101	101	112
LL	[mm]	86	86	112
P	[mm]	200	200	165
C	[mm]	-	-	-
B	[mm]	-	-	-
A	[mm]	-	-	-
K	[mm]	-	-	-
Net Weight	[kg]	57	59	71
Gross Weight	[kg]	67	69	81
Volume	[m ³]	0.156	0.156	0.225

Performance curves

LES 80-1604

Single-stage end-suction pumps

4-pole



Performance Data At n=1450 RPM

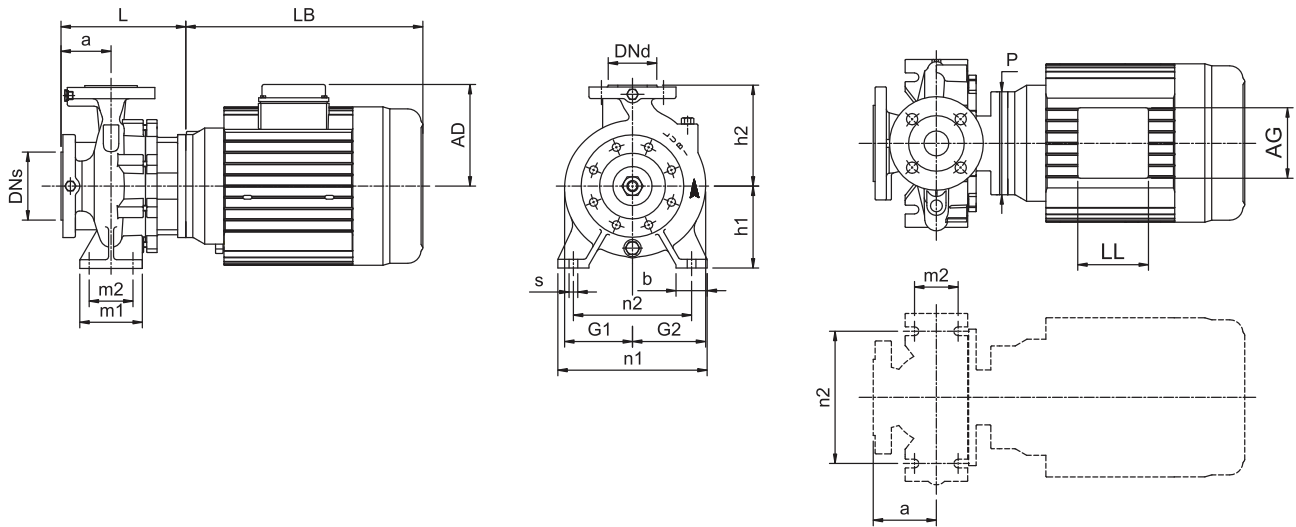
MODEL	POWER		m³/h	24	30	36	42	48	54	60	66	72	78	84	90	96
	KW	HP		l/min	400	500	600	700	800	900	1000	1100	1200	1300	1400	1500
LES 80-1604C	1.1	1.5	H (m)	6.5	6.4	6	5.7	5.3	4.7	4.2	3.5	2.8	-	-	-	-
LES 80-1604B	1.5	2.0		8.4	8.2	8	7.6	7.2	6.7	6.3	5.7	5.2	4.5	3.7	-	-
LES 80-1604A	2.2	3.0		9.8	9.7	9.7	9.6	9.5	9.3	9.1	8.7	8.3	7.8	7.2	6.5	5.8

Technical Data

LES 80-2004

Single-stage end-suction pumps

4-pole



4 POLE

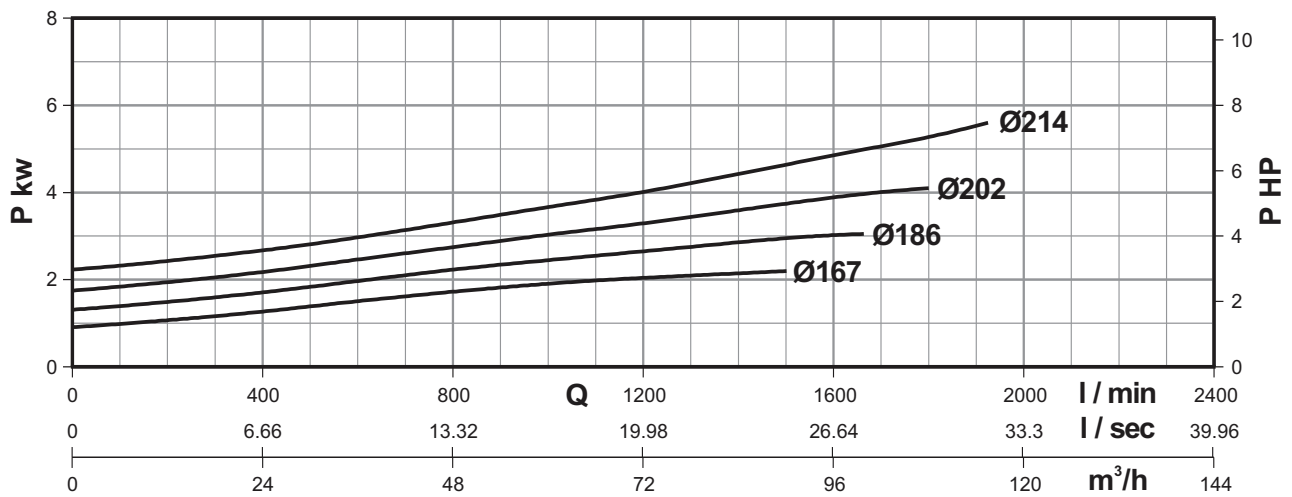
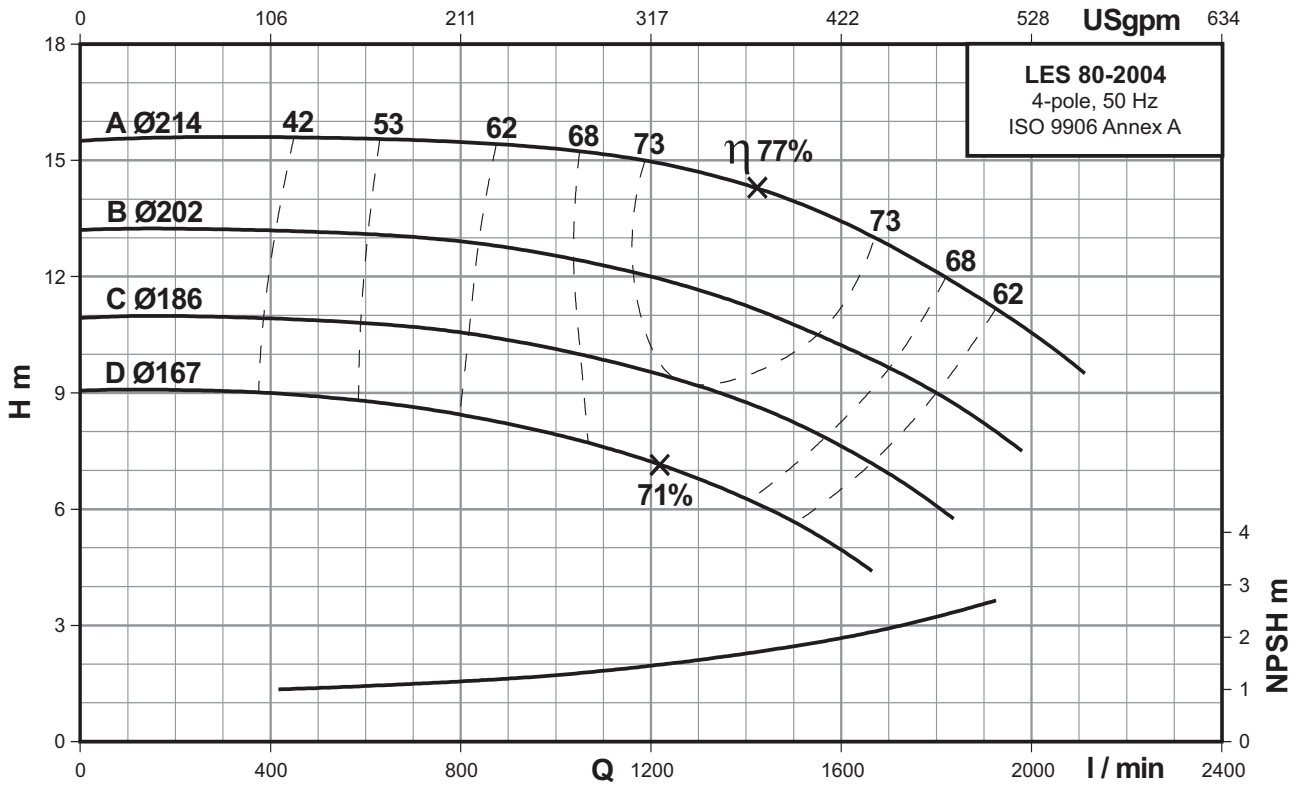
Power	[kw]	2.2	3	4	5.5
	[hp]	3	4	5.5	7.5
Frame		112M	112M	112M	132M
PN	[bar]	16	16	16	16
Code for Impeller diameter		D	C	B	A
DN _s	[mm]	100	100	100	100
DN _d	[mm]	80	80	80	80
a	[mm]	125	125	125	125
h ₂	[mm]	250	250	250	250
L	[mm]	242	242	242	247
h ₁	[mm]	180	180	180	180
G ₁	[mm]	155	155	155	155
G ₂	[mm]	186	186	186	186
m ₁	[mm]	125	125	125	125
m ₂	[mm]	95	95	95	95
n ₁	[mm]	345	345	345	345
n ₂	[mm]	280	280	280	280
b	[mm]	65	65	65	65
s	[mm]	14	14	14	14
H	[mm]	-	-	-	-
LB	[mm]	356	356	356	417
AD	[mm]	150	150	150	178
AG	[mm]	112	112	112	112
LL	[mm]	112	112	112	112
P	[mm]	165	165	165	225
C	[mm]	-	-	-	-
B	[mm]	-	-	-	-
A	[mm]	-	-	-	-
K	[mm]	-	-	-	-
Net Weight	[kg]	78	80	82	107
Gross Weight	[kg]	88	90	92	117
Volume	[m ³]	0.225	0.225	0.225	0.251

Performance curves

LES 80-2004

Single-stage end-suction pumps

4-pole



4 POLE

Performance Data At n=1450 RPM

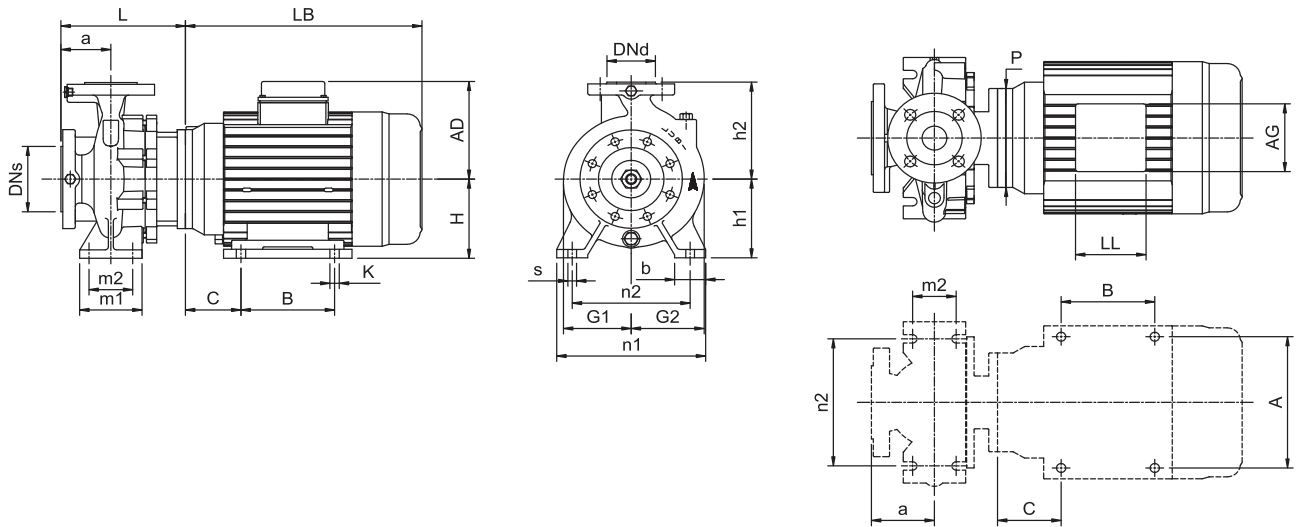
MODEL	POWER		m ³ /h l/min	42	48	54	60	66	72	84	96	108	120	126
	KW	HP		700	800	900	1000	1100	1200	1400	1600	1800	2000	2100
LES 80-2004D	2.2	3.0	H (m)	8.6	8.4	8.2	7.9	7.6	7.3	6.3	5	-	-	-
LES 80-2004C	3.0	4.0		10.7	10.6	10.3	10.2	9.8	9.5	8.8	7.6	6	-	-
LES 80-2004B	4.0	5.5		13	12.9	12.7	12.5	12.3	12	11.2	10.2	9	7.4	-
LES 80-2004A	5.5	7.5		15.5	15.4	15.3	15.2	15.1	15	14.3	13.4	12.1	10.5	9.6

Technical Data

LES 80-2504

Single-stage end-suction pumps

4-pole



4 POLE

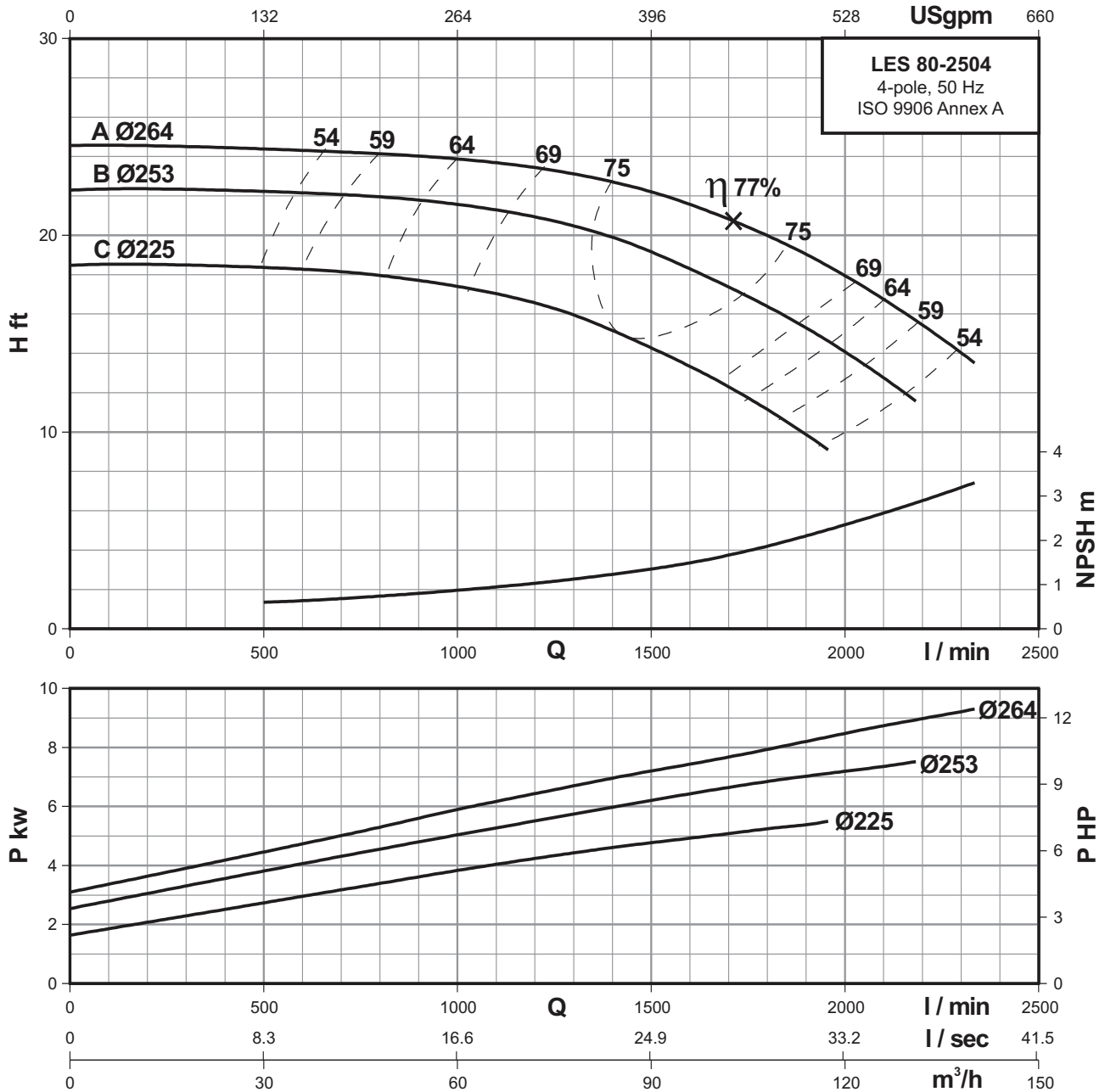
Power	[kw]	5.5	7.5	9.3
	[hp]	7.5	10	12.5
Frame		132M	132M	160M
PN	[bar]	16	16	16
Code for Impeller diameter		C	B	A
DN _s	[mm]	100	100	100
DN _d	[mm]	80	80	80
a	[mm]	125	125	125
h2	[mm]	280	280	280
L	[mm]	242	242	262
h1	[mm]	200	200	200
G1	[mm]	178	178	178
G2	[mm]	204	204	204
m1	[mm]	160	160	160
m2	[mm]	120	120	120
n1	[mm]	400	400	400
n2	[mm]	315	315	315
b	[mm]	80	80	80
s	[mm]	18	18	18
H	[mm]	-	-	160
LB	[mm]	417	417	500
AD	[mm]	178	178	222
AG	[mm]	112	112	152
LL	[mm]	112	112	152
P	[mm]	225	225	254
C	[mm]	-	-	108
B	[mm]	-	-	210
A	[mm]	-	-	254
K	[mm]	-	-	15
Net Weight	[kg]	120	127	135
Gross Weight	[kg]	130	137	197
Volume	[m ³]	0.251	0.251	0.447

Performance curves

LES 80-2504

Single-stage end-suction pumps

4-pole



4 POLE

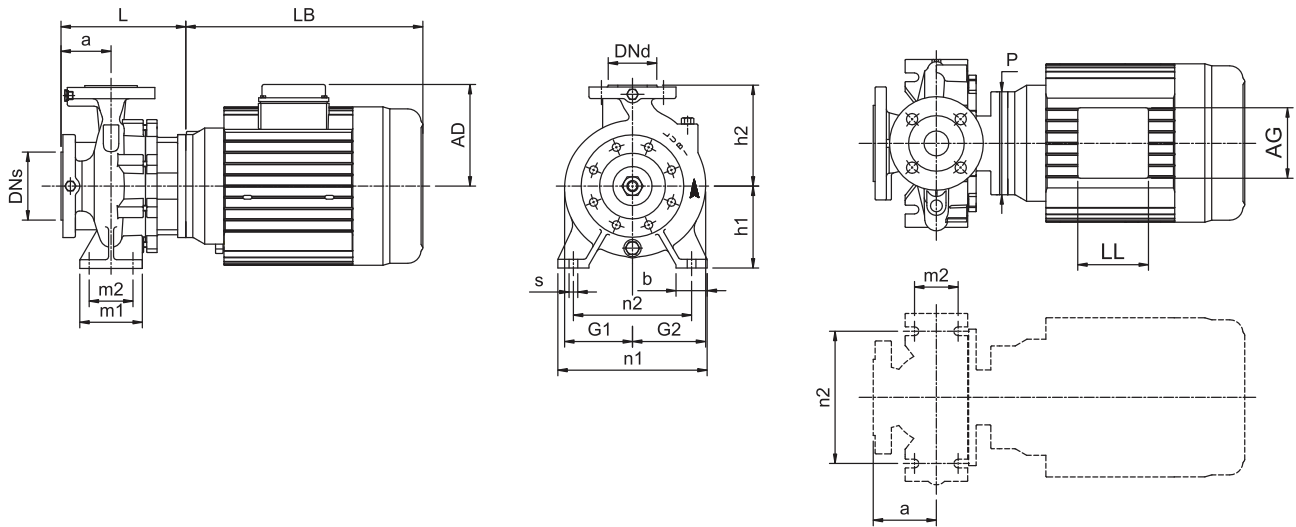
Performance Data At n=1450 RPM

MODEL	POWER		m³/h l/min	42	48	54	60	66	72	84	96	108	120	129	138
	KW	HP		700	800	900	1000	1100	1200	1400	1600	1800	2000	2150	2300
LES 80-2504C	5.5	7.5	H (m)	19.2	19	17.7	17.4	17	16.5	15.2	13.2	11	-	-	-
LES 80-2504B	7.5	10.0		22	21.9	21.8	21.6	21.2	20.8	19.9	18.3	16.3	14	12	-
LES 80-2504A	9.3	12.5		24.3	24.1	24	23.9	23.7	23.4	22.7	21.5	20	18	16	14

Technical Data

Single-stage end-suction pumps

LES 65-250L4 4-pole



4 POLE

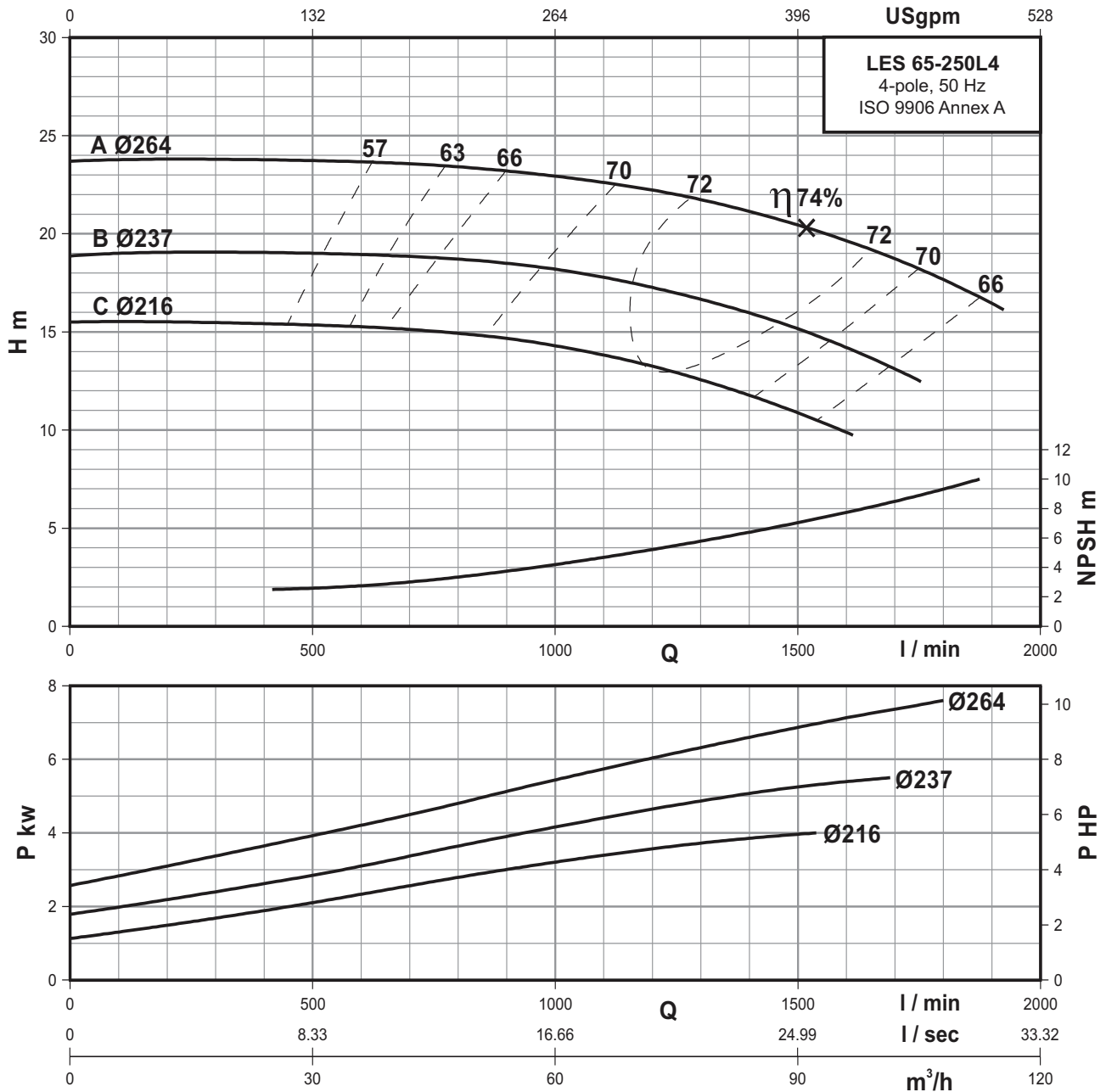
Power	[kw]	4	5.5	7.5
	[hp]	5.5	7.5	10
Frame		112M	132M	132M
PN	[bar]	16	16	16
Code for Impeller diameter		C	B	A
DNs	[mm]	100	100	100
Dnd	[mm]	65	65	65
a	[mm]	100	100	100
h2	[mm]	250	250	250
L	[mm]	211	217	217
h1	[mm]	200	200	200
G1	[mm]	173	173	173
G2	[mm]	196	196	196
m1	[mm]	160	160	160
m2	[mm]	120	120	120
n1	[mm]	360	360	360
n2	[mm]	280	280	280
b	[mm]	80	80	80
s	[mm]	18	18	18
H	[mm]	-	-	-
LB	[mm]	356	417	417
AD	[mm]	150	178	178
AG	[mm]	112	112	112
LL	[mm]	112	112	112
P	[mm]	165	225	225
C	[mm]	-	-	-
B	[mm]	-	-	-
A	[mm]	-	-	-
K	[mm]	-	-	-
Net Weight	[kg]	89	115	122
Gross Weight	[kg]	99	125	132
Volume	[m ³]	0.225	0.225	0.225

Performance curves

LES 65-250L4

Single-stage end-suction pumps

4-pole



Performance Data At n=1450 RPM

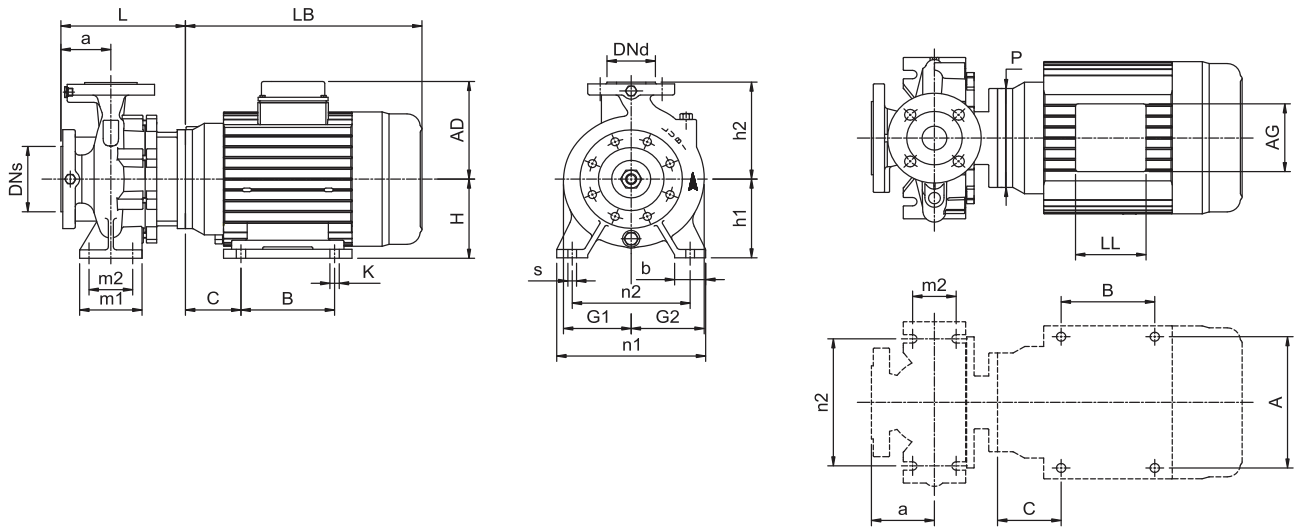
MODEL	POWER		m ³ /h l/min	12	24	36	48	60	72	84	96	108	114
	KW	HP		200	400	600	800	1000	1200	1400	1600	1800	1900
LES 65-250L4C	4.0	5.5	H (m)	15.5	15.4	15.2	15	14.3	13.2	11.8	9.9	-	-
LES 65-250L4B	5.5	7.5		19.1	19	18.9	18.7	18.2	17.3	16	14.1	-	-
LES 65-250L4A	7.5	10.0		23.9	23.8	23.6	23.4	23	22.2	21.1	19.6	17.7	16.4

Technical Data

LES 80-3154

Single-stage end-suction pumps

4-pole



4 POLE

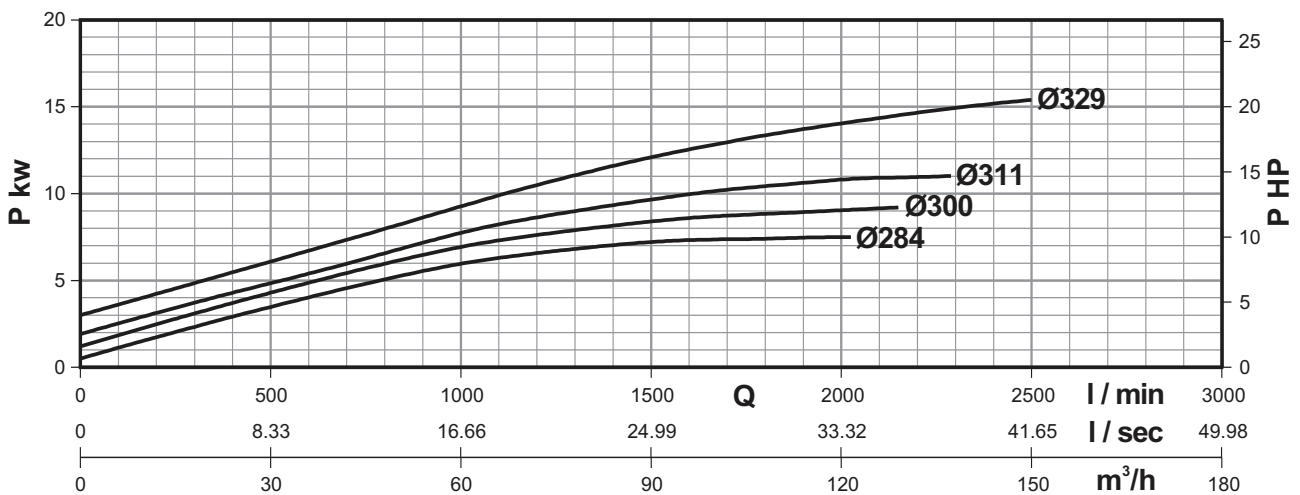
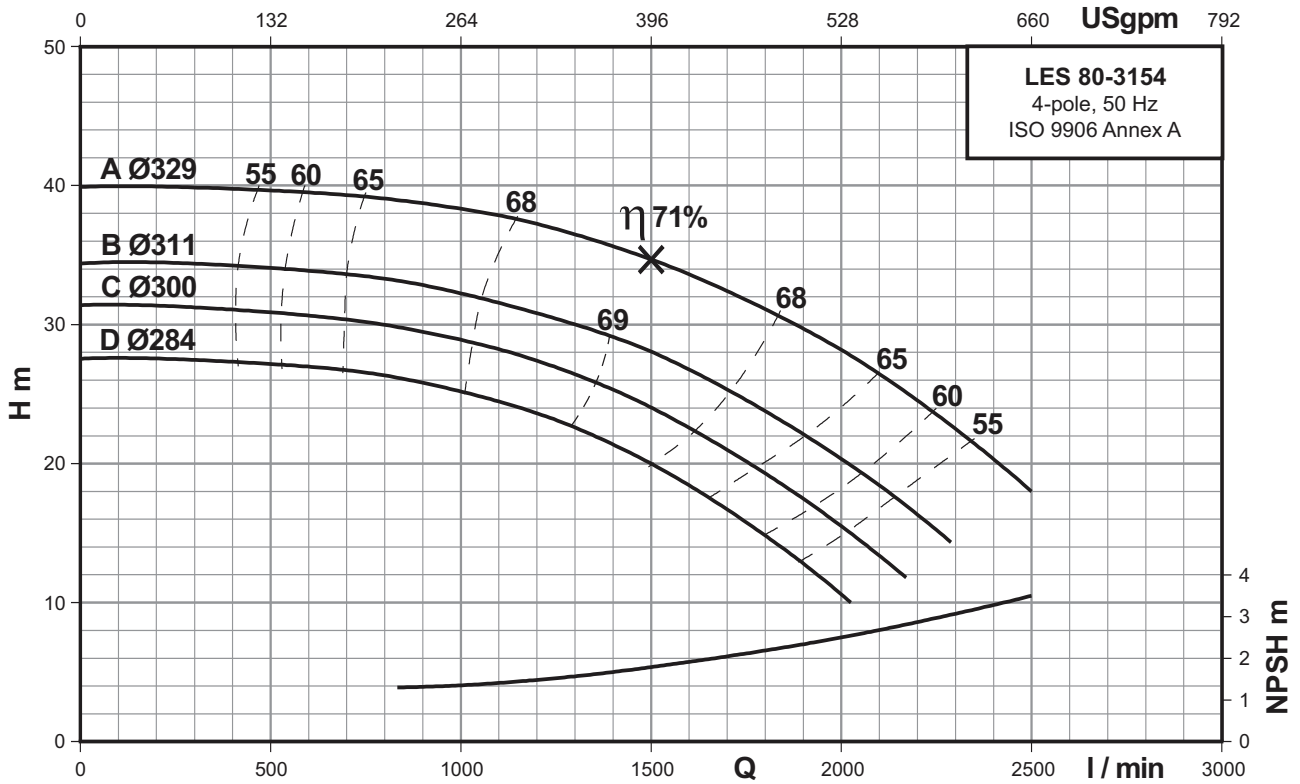
Power	[kw]	7.5	9.3	11	15
	[hp]	10	12.5	15	20
Frame		132M	160M	160M	160L
PN	[bar]	16	16	16	16
Code for Impeller diameter		D	C	B	A
DN _s	[mm]	100	100	100	100
DN _d	[mm]	80	80	80	80
a	[mm]	125	125	125	125
h ₂	[mm]	315	315	315	315
L	[mm]	251	263	263	263
h ₁	[mm]	250	250	250	250
G ₁	[mm]	204	204	204	204
G ₂	[mm]	227	227	227	227
m ₁	[mm]	160	160	160	160
m ₂	[mm]	120	120	120	120
n ₁	[mm]	400	400	400	400
n ₂	[mm]	315	315	315	315
b	[mm]	80	80	80	80
s	[mm]	18	18	18	18
H	[mm]	-	160	160	160
LB	[mm]	417	500	500	544
AD	[mm]	178	222	222	222
AG	[mm]	112	152	152	152
LL	[mm]	112	152	152	152
P	[mm]	225	254	254	254
C	[mm]	-	108	108	108
B	[mm]	-	210	210	254
A	[mm]	-	254	254	254
K	[mm]	-	15	15	15
Net Weight	[kg]	139	147	157	174
Gross Weight	[kg]	209	217	227	244
Volume	[m ³]	0.528	0.528	0.528	0.528

Performance curves

LES 80-3154

Single-stage end-suction pumps

4-pole



4 POLE

Performance Data At n=1450 RPM

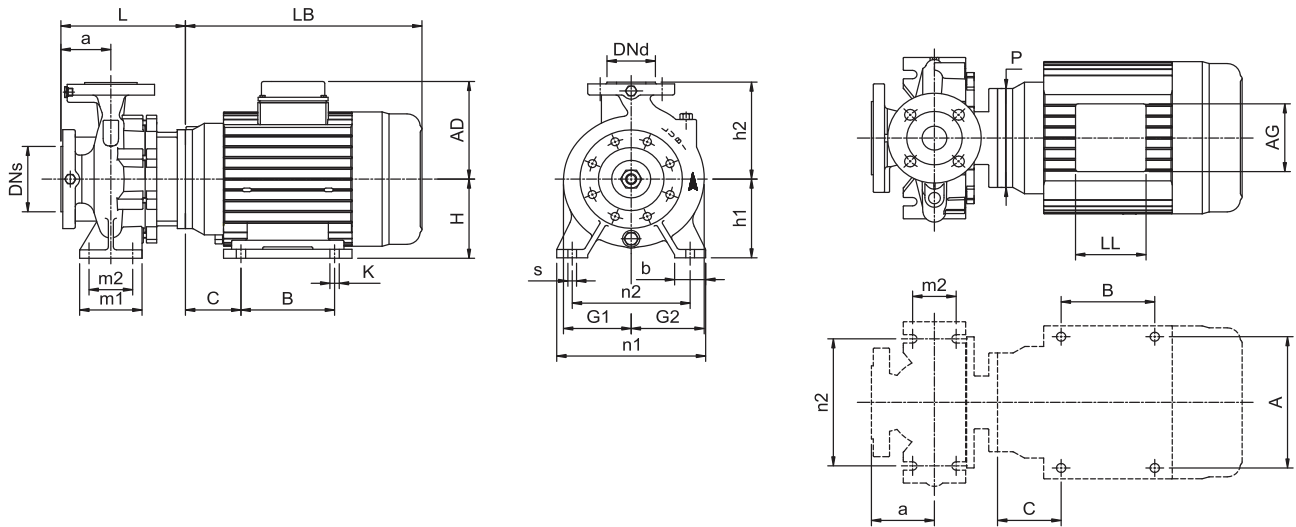
MODEL	POWER		m³/h l/min	42	48	54	60	72	84	96	108	120	132	144	150
	KW	HP		700	800	900	1000	1200	1400	1600	1800	2000	2200	2400	2500
LES 80-3154D	7.5	10.0	H (m)	26.7	26.4	25.9	25	23.6	21.4	18.2	15	10.5	-	-	-
LES 80-3154C	9.3	12.5		30.3	30	29.5	29	27.5	25.4	22.5	19	15.5	-	-	-
LES 80-3154B	11.0	15.0		33.5	33.2	32.8	32.2	30.8	29	26.8	24	20.2	16.2	-	-
LES 80-3154A	15.0	20.0		39.3	39	38.8	38.2	37.3	35.6	33.7	31	28	24.3	20.2	18

Technical Data

Single-stage end-suction pumps

LES 80-4004

4-pole



4 POLE

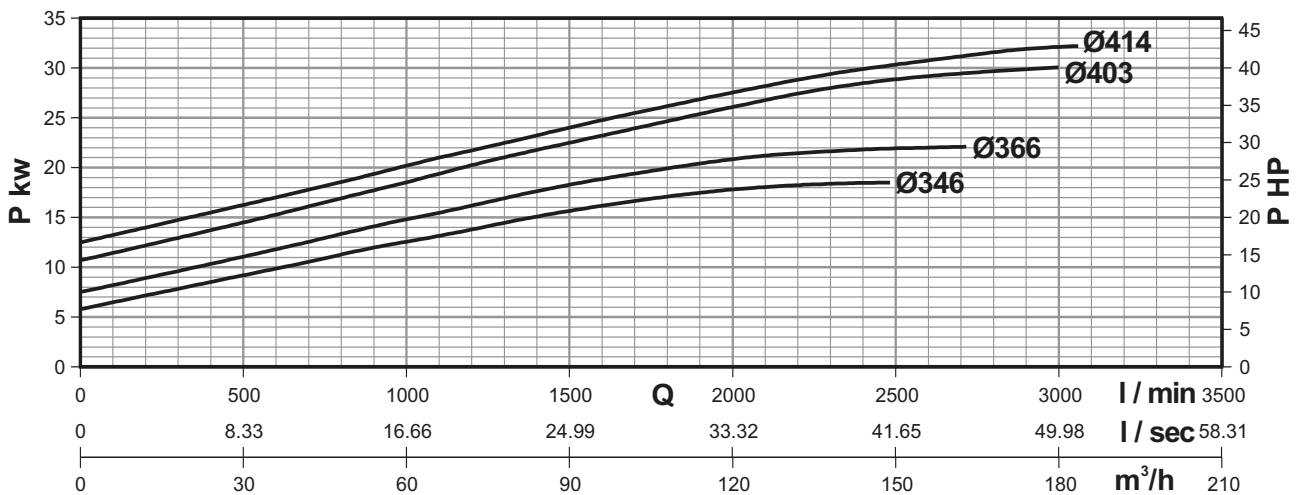
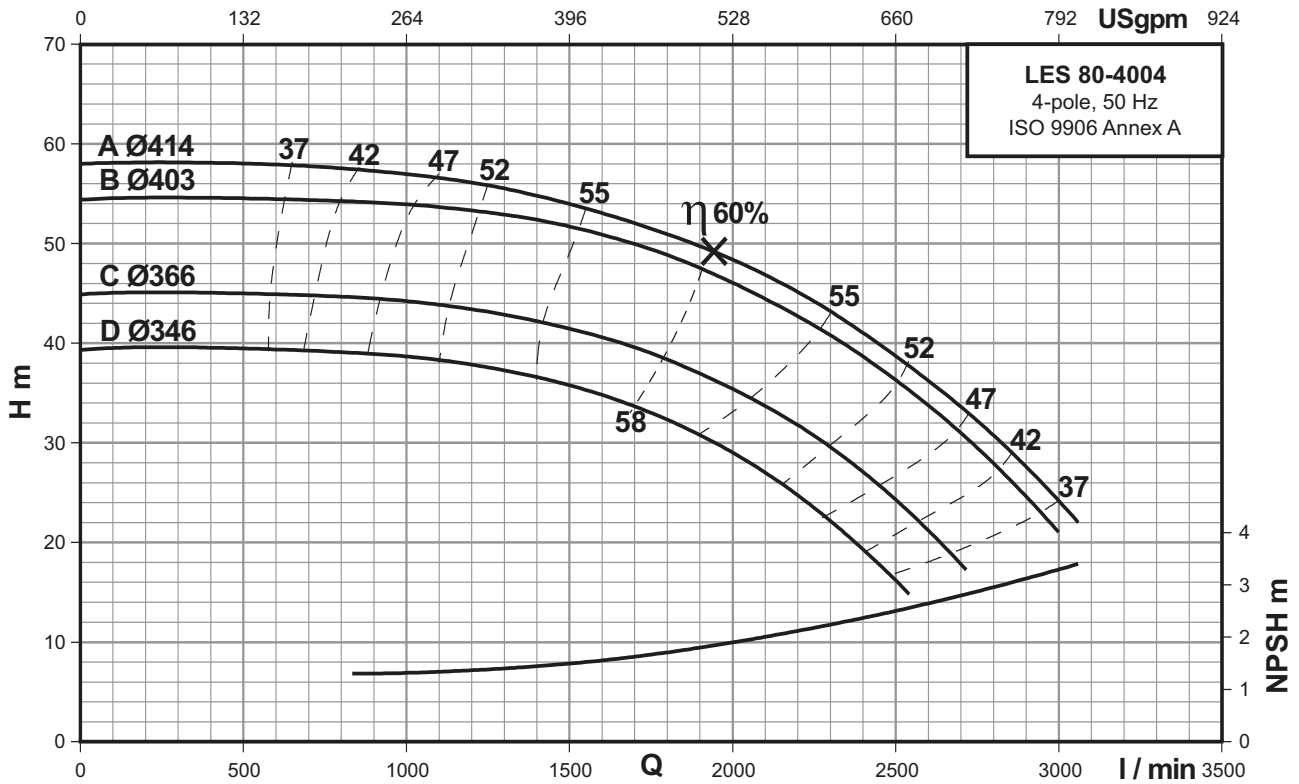
Power	[kw]	18.5	22	30	37
	[hp]	25	30	40	50
Frame		180M	180L	200L	225S
PN	[bar]	16	16	16	16
Code for Impeller diameter		D	C	B	A
DN _s	[mm]	100	100	100	100
DN _d	[mm]	80	80	80	80
a	[mm]	140	140	140	140
h ₂	[mm]	355	355	355	355
L	[mm]	287	287	437	437
h ₁	[mm]	280	280	280	280
G ₁	[mm]	254	254	254	254
G ₂	[mm]	276	276	276	276
m ₁	[mm]	160	160	160	160
m ₂	[mm]	120	120	120	120
n ₁	[mm]	435	435	435	435
n ₂	[mm]	355	355	355	355
b	[mm]	80	80	80	80
s	[mm]	18	18	18	18
H	[mm]	180	180	200	225
LB	[mm]	602	641	688	700
AD	[mm]	294	294	306	328
AG	[mm]	263	263	263	263
LL	[mm]	195	195	195	195
P	[mm]	356	356	400	450
C	[mm]	121	121	133	149
B	[mm]	241	279	308	286
A	[mm]	279	279	318	356
K	[mm]	15	15	19	19
Net Weight	[kg]	319	335	408	461
Gross Weight	[kg]	400	416	504	557
Volume	[m ³]	0.681	0.681	0.883	0.883

Performance curves

LES 80-4004

Single-stage end-suction pumps

4-pole



4 POLE

Performance Data At n=1450 RPM

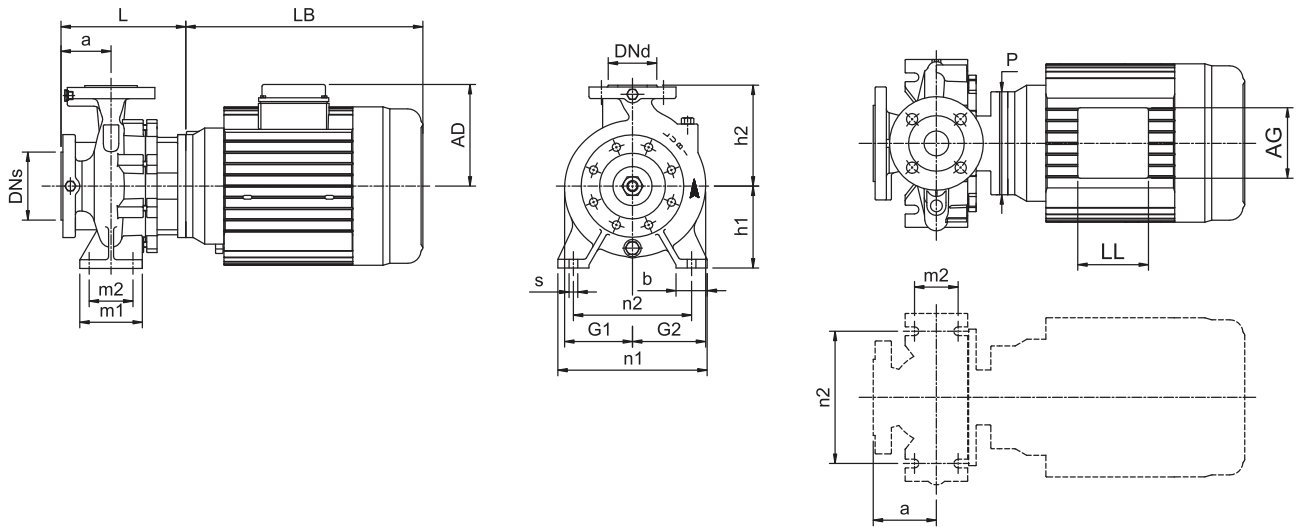
MODEL	POWER		m³/h l/min	60	72	84	96	108	120	132	144	156	168	180
	KW	HP		1000	1200	1400	1600	1800	2000	2200	2400	2600	2800	3000
LES 80-4004D	18.5	25.0	H (m)	38.7	38	36.5	35	32	29	24.5	19	-	-	-
LES 80-4004C	22.0	30.0		44	43.4	42	40.5	38.3	35.5	32	27	21	-	-
LES 80-4004B	30.0	40.0		54	53.4	52.3	50.8	48.8	46	42.5	38.5	34	28	21
LES 80-4004A	37.0	50.0		57	56	54.8	53	51	48.5	45.2	41	36	30.5	24

Technical Data

LES 100-2004

Single-stage end-suction pumps

4-pole



4 POLE

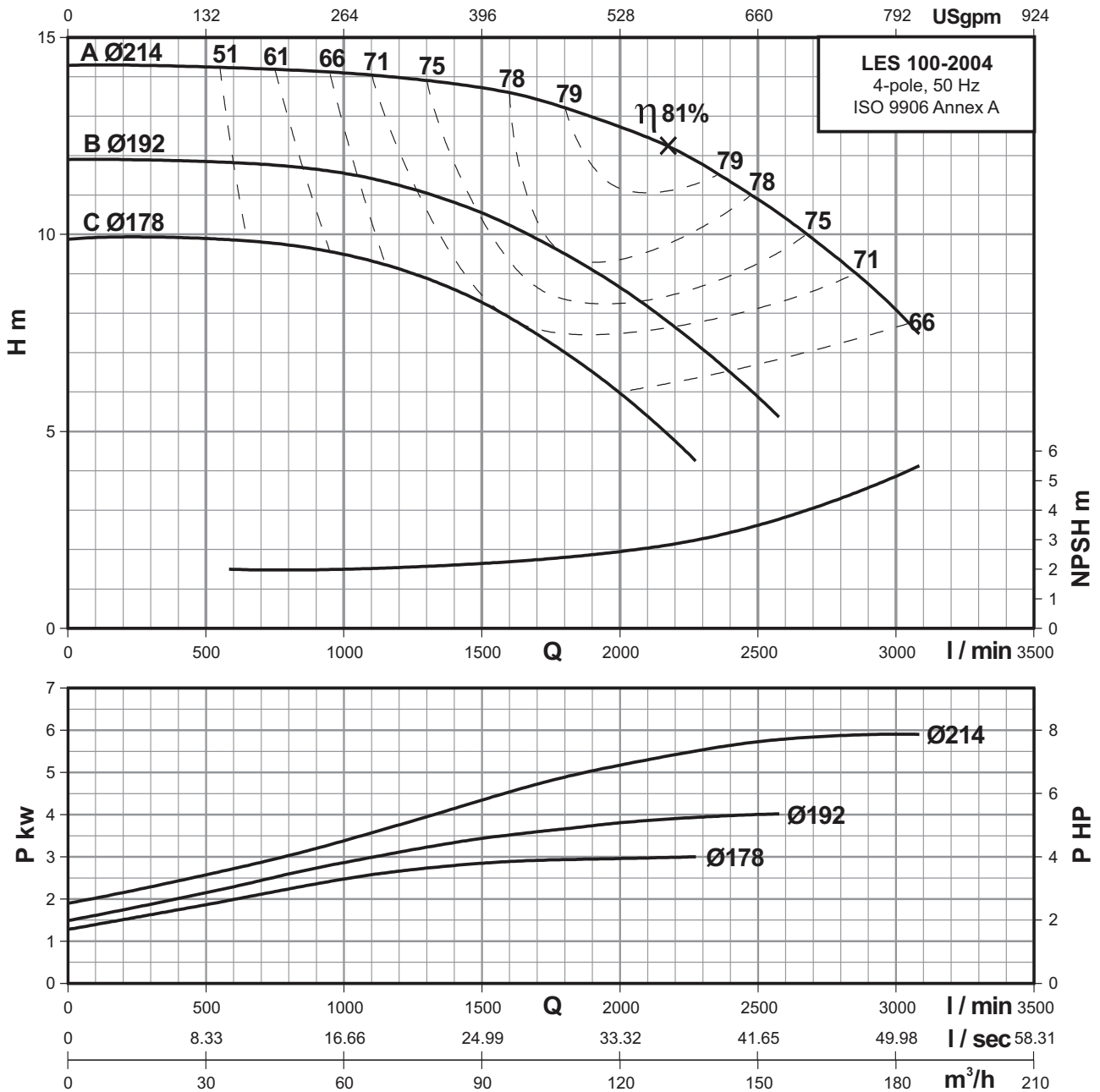
Power	[kw]	3	4	5.5
	[hp]	4	5.5	7.5
Frame		112M	112M	132M
PN	[bar]	16	16	16
Code for Impeller diameter		C	B	A
DN _s	[mm]	125	125	125
DN _d	[mm]	100	100	100
a	[mm]	125	125	125
h ₂	[mm]	280	280	280
L	[mm]	242	242	247
h ₁	[mm]	200	200	200
G ₁	[mm]	166	166	166
G ₂	[mm]	202	202	202
m ₁	[mm]	160	160	160
m ₂	[mm]	120	120	120
n ₁	[mm]	360	360	360
n ₂	[mm]	280	280	280
b	[mm]	80	80	80
s	[mm]	18	18	18
H	[mm]	-	-	-
LB	[mm]	356	356	417
AD	[mm]	150	150	178
AG	[mm]	112	112	112
LL	[mm]	112	112	112
P	[mm]	165	165	225
C	[mm]	-	-	-
B	[mm]	-	-	-
A	[mm]	-	-	-
K	[mm]	-	-	-
Net Weight	[kg]	91	93	117
Gross Weight	[kg]	101	103	127
Volume	[m ³]	0.225	0.225	0.251

Performance curves

LES 100-2004

Single-stage end-suction pumps

4-pole



Performance Data At n=1450 RPM

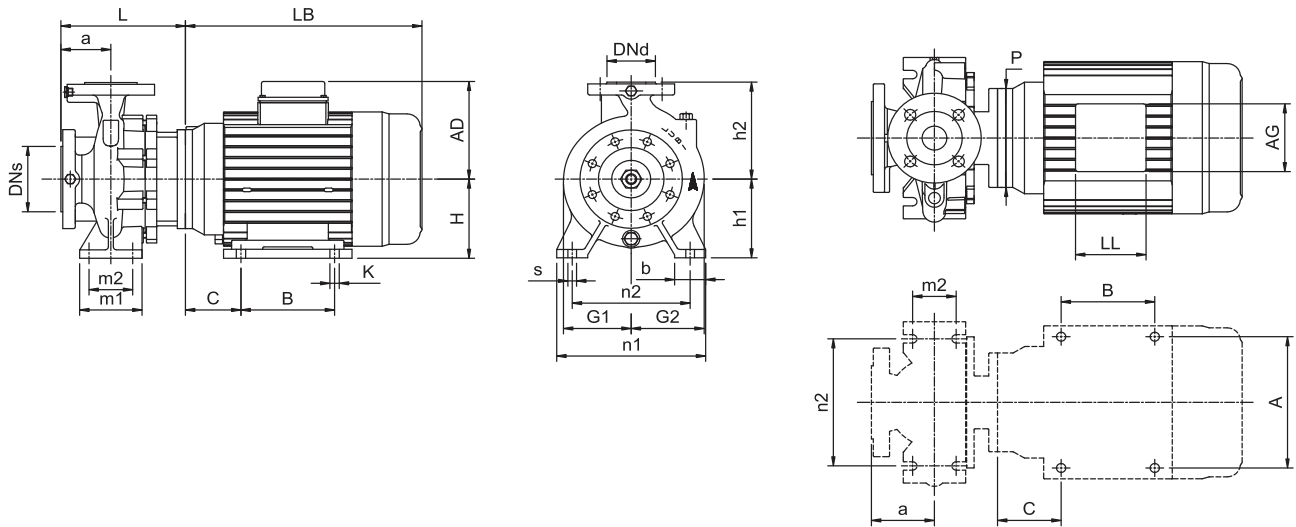
MODEL	POWER		m ³ /h	60	72	84	96	108	120	132	144	156	168	180
	KW	HP		l/min	1000	1200	1400	1600	1800	2000	2200	2400	2600	2800
LES 100-2004C	3.0	4.0	H (m)	9.4	9.3	8.6	7.9	7	6	4.8	-	-	-	-
LES 100-2004B	4.0	5.5		11.6	11.3	10.8	10.2	9.5	8.6	7.6	6.5	5.3	-	-
LES 100-2004A	5.5	7.5		14.1	14	13.8	13.6	13.2	12.7	12.2	11.4	10.4	9.3	8.1

Technical Data

Single-stage end-suction pumps

LES 100-2504

4-pole



Power	[kw]	5.5	7.5	9.3	11
	[hp]	7.5	10	12.5	15
Frame		132M	132M	160M	160M
PN	[bar]	16	16	16	16
Code for Impeller diameter		D	C	B	A
DN _s	[mm]	125	125	125	125
DN _d	[mm]	100	100	100	100
a	[mm]	140	140	140	140
h ₂	[mm]	280	280	280	280
L	[mm]	257	257	277	277
h ₁	[mm]	225	225	225	225
G ₁	[mm]	184	184	184	184
G ₂	[mm]	214	214	214	214
m ₁	[mm]	160	160	160	160
m ₂	[mm]	120	120	120	120
n ₁	[mm]	400	400	400	400
n ₂	[mm]	315	315	315	315
b	[mm]	80	80	80	80
s	[mm]	18	18	18	18
H	[mm]	-	-	160	160
LB	[mm]	417	417	500	500
AD	[mm]	178	178	222	222
AG	[mm]	112	112	152	152
LL	[mm]	112	112	152	152
P	[mm]	225	225	254	254
C	[mm]	-	-	108	108
B	[mm]	-	-	210	210
A	[mm]	-	-	254	254
K	[mm]	-	-	15	15
Net Weight	[kg]	130	137	145	155
Gross Weight	[kg]	140	147	207	217
Volume	[m ³]	0.251	0.251	0.447	0.447

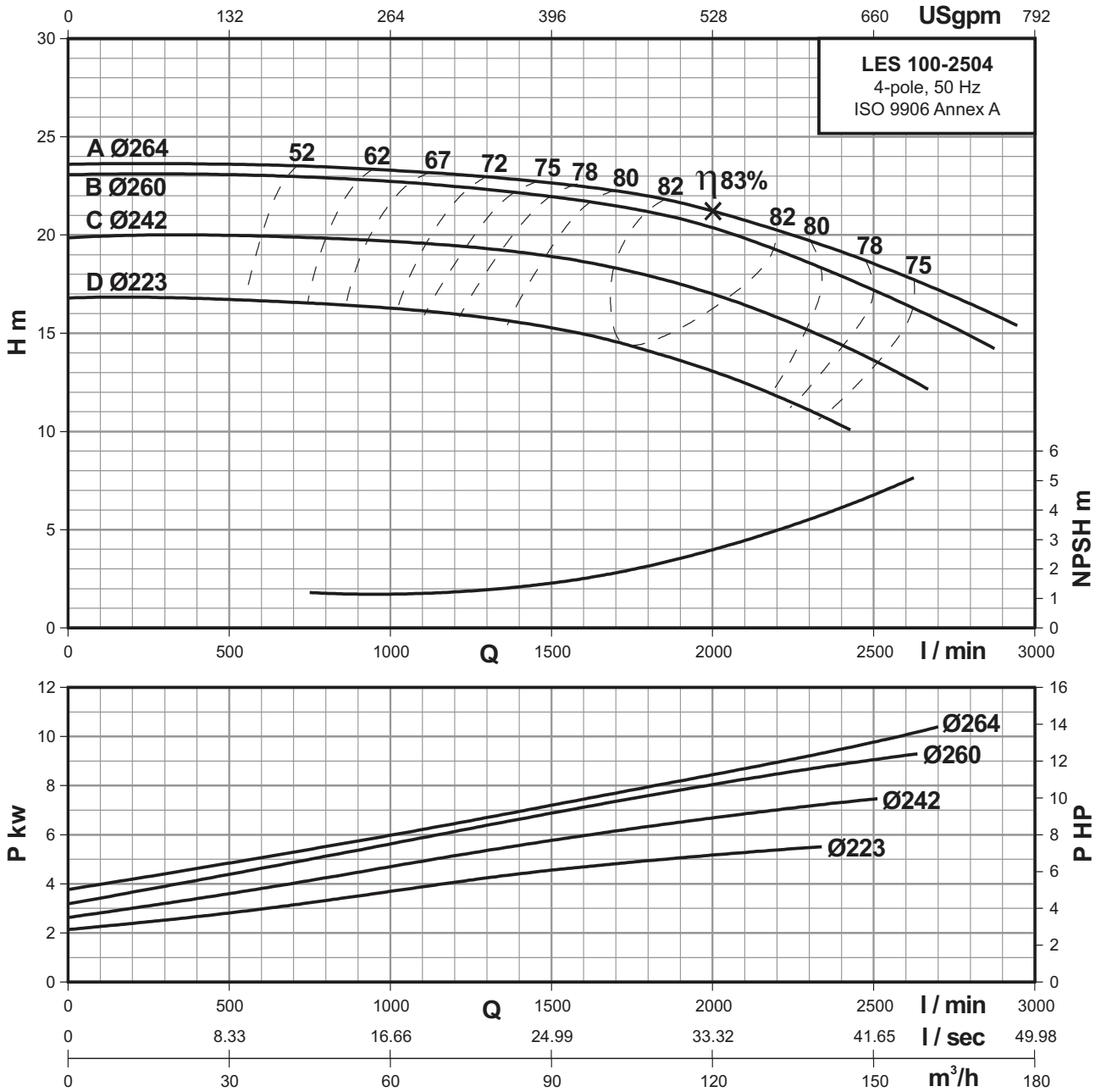
4 POLE

Performance curves

LES 100-2504

Single-stage end-suction pumps

4-pole



4 POLE

Performance Data At n=1450 RPM

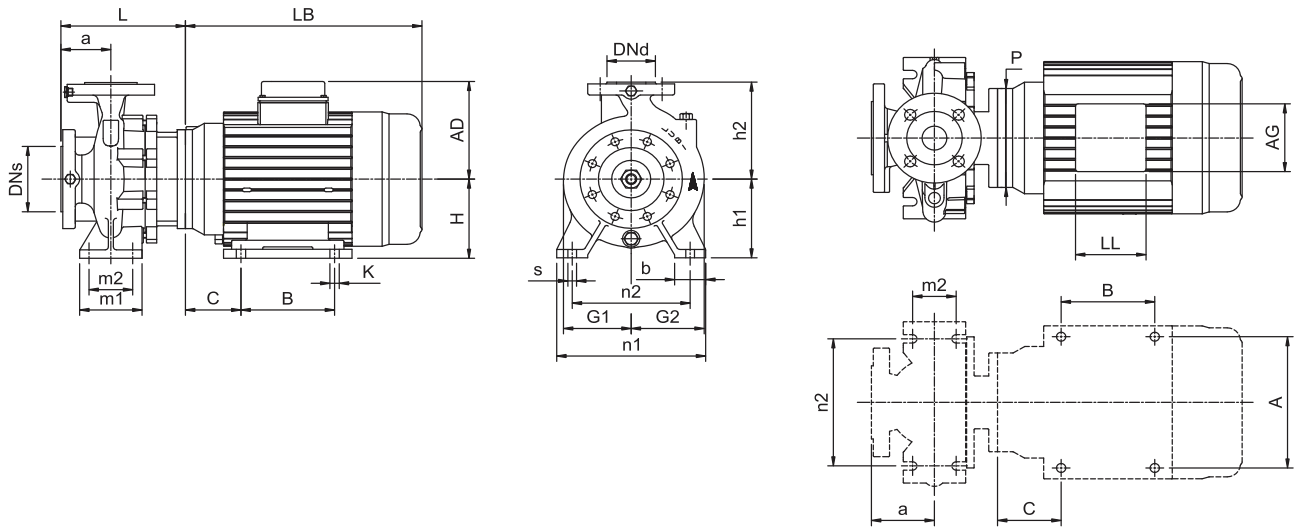
MODEL	POWER		m³/h l/min	60	72	84	96	108	120	132	144	156	168	180
	KW	HP		1000	1200	1400	1600	1800	2000	2200	2400	2600	2800	3000
LES 100-2504D	5.5	7.5	H (m)	16.3	16	15.5	15	14.1	13	11.8	10.3	-	-	-
LES 100-2504C	7.5	10.0		19.7	19.4	19.1	18.6	18	17	15.8	14.4	12.8	-	-
LES 100-2504B	9.3	12.5		22.7	22.4	22.1	21.7	21.2	20.3	19.2	17.9	16.4	14.9	-
LES 100-2504A	11.0	15.0		23.4	23.1	22.8	22.5	22	21.2	20.2	19.1	17.9	16.5	15

Technical Data

LES 100-3154

Single-stage end-suction pumps

4-pole



Power	[kw]	11	15	18.5	22
	[hp]	15	20	25	30
Frame		160M	160L	180M	180L
PN	[bar]	16	16	16	16
Code for Impeller diameter		D	C	B	A
DN _s	[mm]	125	125	125	125
DN _d	[mm]	100	100	100	100
a	[mm]	140	140	140	140
h ₂	[mm]	315	315	315	315
L	[mm]	278	278	277	277
h ₁	[mm]	250	250	250	250
G ₁	[mm]	213	213	213	213
G ₂	[mm]	245	245	245	245
m ₁	[mm]	160	160	160	160
m ₂	[mm]	120	120	120	120
n ₁	[mm]	400	400	400	400
n ₂	[mm]	315	315	315	315
b	[mm]	80	80	80	80
s	[mm]	18	18	18	18
H	[mm]	160	160	180	180
LB	[mm]	500	544	602	641
AD	[mm]	222	222	294	294
AG	[mm]	152	152	263	263
LL	[mm]	152	152	195	195
P	[mm]	254	254	356	356
C	[mm]	108	108	121	121
B	[mm]	210	254	241	279
A	[mm]	254	254	279	279
K	[mm]	15	15	15	15
Net Weight	[kg]	168	185	308	324
Gross Weight	[kg]	238	255	389	405
Volume	[m ³]	0.528	0.528	0.681	0.681

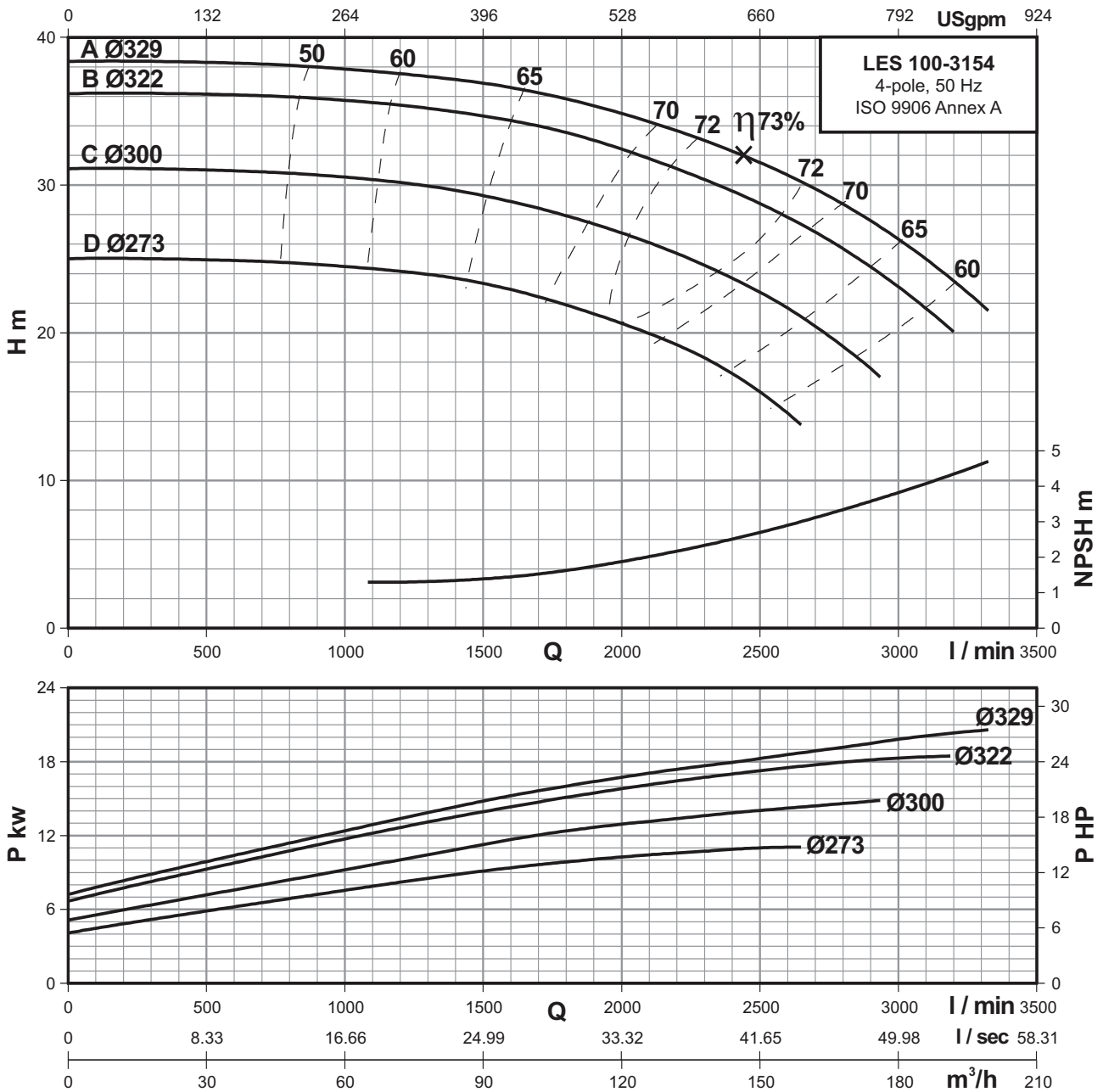
4 POLE

Performance curves

LES 100-3154

Single-stage end-suction pumps

4-pole



Performance Data At n=1450 RPM

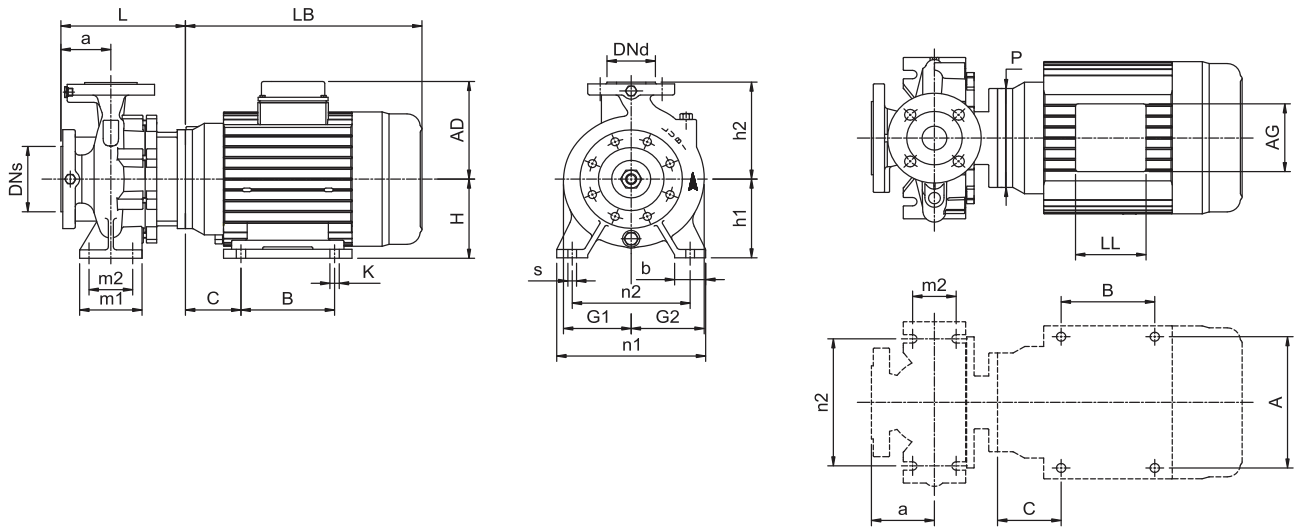
MODEL	POWER		m ³ /h	60	72	84	96	108	120	132	144	156	168	180	189	198
	KW	HP		l/min	1000	1200	1400	1600	1800	2000	2200	2400	2600	2800	3000	3150
LES 100-3154D	11.0	15.0	H (m)	24.5	24.2	23.7	22.9	22	20.5	19.3	17.3	14.5	-	-	-	-
LES 100-3154C	15.0	20.0		30.5	30.2	29.7	28.8	28	26.8	25.3	23.8	21.8	19	-	-	-
LES 100-3154B	18.5	25.0		35.8	35.5	35	34.3	33.6	32.2	31	29.5	27.8	25.7	23	21	-
LES 100-3154A	22.0	30.0		37.9	37.5	37.2	36.8	36	34.9	33.7	32.3	30.7	28.8	26.3	24.2	22

Technical Data

Single-stage end-suction pumps

LES 100-4004

4-pole



4 POLE

Power	[kw]	22	30	37	45
	[hp]	30	40	50	60
Frame		180L	200L	225S	225M
PN	[bar]	16	16	16	16
Code for Impeller diameter		D	C	B	A
DNs	[mm]	125	125	125	125
Dnd	[mm]	100	100	100	100
a	[mm]	140	140	140	140
h2	[mm]	355	355	355	355
L	[mm]	287	437	437	437
h1	[mm]	280	280	280	280
G1	[mm]	254	254	254	254
G2	[mm]	279	279	279	279
m1	[mm]	200	200	200	200
m2	[mm]	150	150	150	150
n1	[mm]	500	500	500	500
n2	[mm]	400	400	400	400
b	[mm]	100	100	100	100
s	[mm]	22	22	22	22
H	[mm]	180	200	225	225
LB	[mm]	641	688	700	725
AD	[mm]	294	306	328	328
AG	[mm]	263	263	263	263
LL	[mm]	195	195	195	195
P	[mm]	356	400	450	450
C	[mm]	121	133	149	149
B	[mm]	279	308	286	311
A	[mm]	279	318	356	356
K	[mm]	15	19	19	19
Net Weight	[kg]	352	425	478	507
Gross Weight	[kg]	433	521	574	617
Volume	[m³]	0.681	0.883	0.883	1.088

Performance curves

LES 100-4004

Single-stage end-suction pumps

4-pole



4 POLE

Performance Data At n=1450 RPM

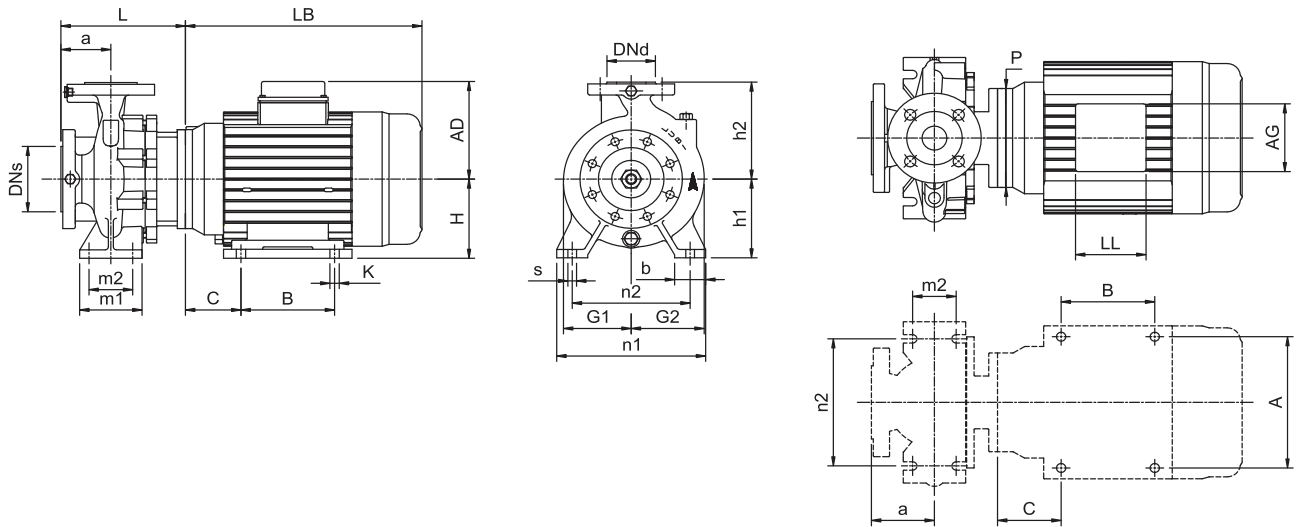
MODEL	POWER		m³/h l/min	60	72	90	108	120	132	150	168	180	192	210	228	240
	KW	HP		1000	1200	1500	1800	2000	2200	2500	2800	3000	3200	3500	3800	4000
LES 100-4004D	22.0	30.0	H (m)	42.5	42.2	41.7	40.5	39.7	38.3	36	33.5	31	28.5	24	-	-
LES 100-4004C	30.0	40.0		51	50.9	50.5	49.8	49	48	46	43.6	41.7	38	35	30	-
LES 100-4004B	37.0	50.0		56.7	56.5	56	55.4	54.5	53.7	52	50	48	46	42	37.5	-
LES 100-4004A	45.0	60.0		61.7	61.3	60.8	60.1	59.5	58.9	57.2	55.4	54	52	48.8	45	41.8

Technical Data

LES 125-2504

Single-stage end-suction pumps

4-pole



4 POLE

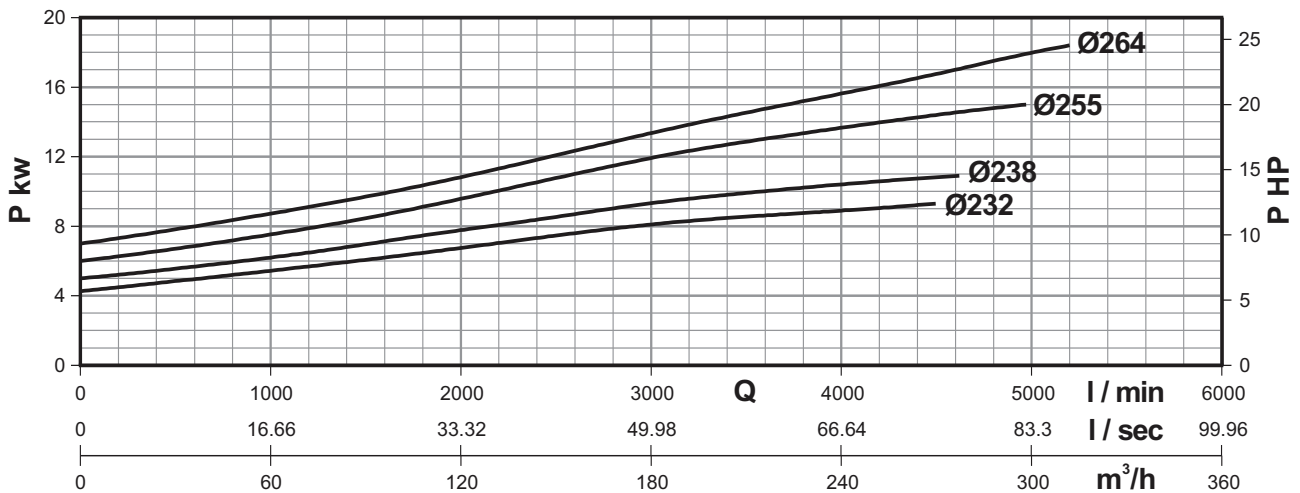
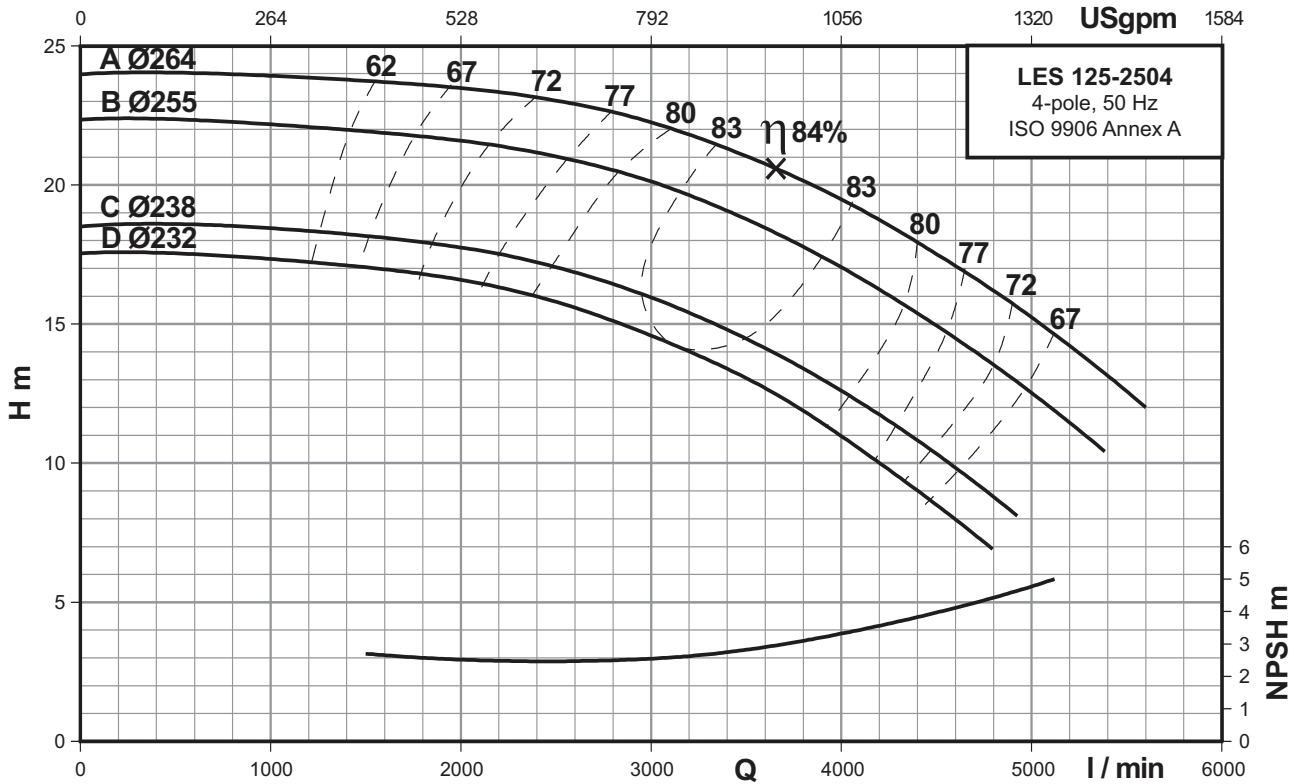
Power	[kw]	9.3	11	15	18.5
	[hp]	12.5	15	20	25
Frame		160M	160M	160L	180M
PN	[bar]	16	16	16	16
Code for Impeller diameter		D	C	B	A
DNs	[mm]	150	150	150	150
Dnd	[mm]	125	125	125	125
a	[mm]	140	140	140	140
h2	[mm]	355	355	355	355
L	[mm]	277	277	277	277
h1	[mm]	250	250	250	250
G1	[mm]	206	206	206	206
G2	[mm]	250	250	250	250
m1	[mm]	160	160	160	160
m2	[mm]	120	120	120	120
n1	[mm]	400	400	400	400
n2	[mm]	315	315	315	315
b	[mm]	80	80	80	80
s	[mm]	18	18	18	18
H	[mm]	160	160	160	180
LB	[mm]	500	500	544	602
AD	[mm]	222	222	222	294
AG	[mm]	152	152	152	263
LL	[mm]	152	152	152	195
P	[mm]	254	254	254	356
C	[mm]	108	108	108	121
B	[mm]	210	210	254	241
A	[mm]	254	254	254	279
K	[mm]	15	15	15	15
Net Weight	[kg]	171	181	198	321
Gross Weight	[kg]	241	251	268	402
Volume	[m ³]	0.528	0.528	0.528	0.681

Performance curves

LES 125-2504

Single-stage end-suction pumps

4-pole



4 POLE

Performance Data At n=1450 RPM

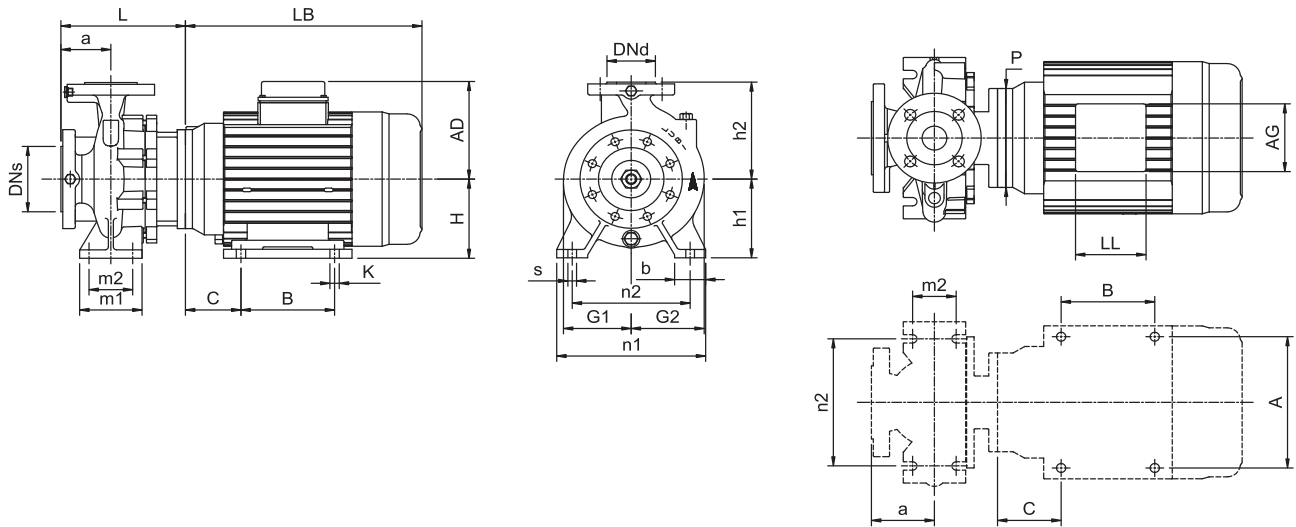
MODEL	POWER		m³/h	90	108	120	132	150	168	180	210	240	270	300	318	336
	KW	HP		l/min	1500	1800	2000	2200	2500	2800	3000	3500	4000	4500	5000	5300
LES 125-2504D	9.3	12.5	H (m)	17	16.8	16.6	16.4	15.7	15	14.6	13	11	8.5	-	-	-
LES 125-2504C	11.0	15.0		18.2	18	17.8	17.5	17	16.4	16	14.5	12.5	10.4	7.6	-	-
LES 125-2504B	15.0	20.0		21.9	21.7	21.6	21.4	21	20.5	20.1	18.8	17	15	12.5	11	-
LES 125-2504A	18.5	25.0		23.7	23.6	23.4	23.3	23	22.6	22.2	21.1	19.5	17.5	15.2	13.7	12

Technical Data

LES 125-3154

Single-stage end-suction pumps

4-pole



4 POLE

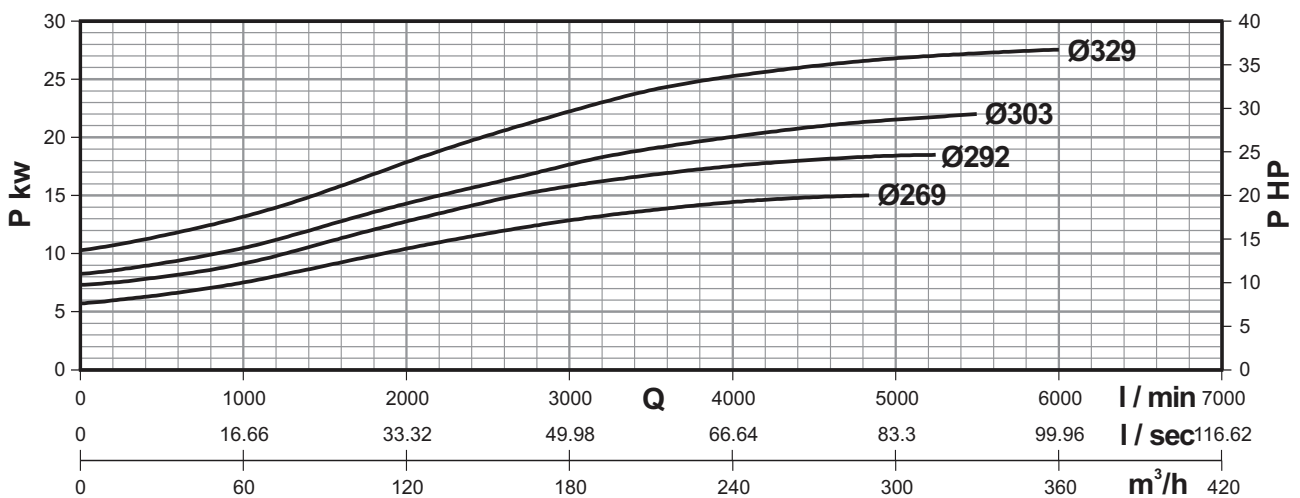
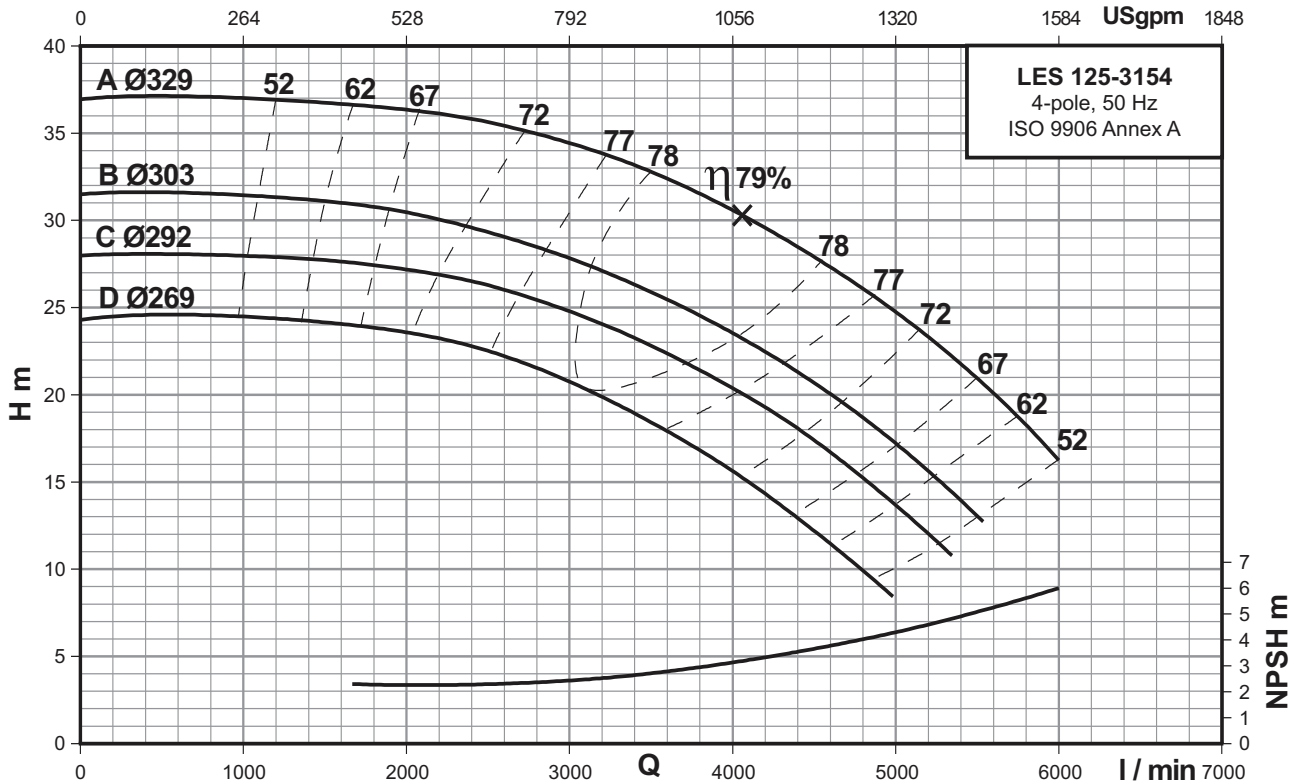
Power	[kw]	15	18.5	22	30
	[hp]	20	25	30	40
Frame		160L	180M	180L	200L
PN	[bar]	16	16	16	16
Code for Impeller diameter		D	C	B	A
DNs	[mm]	150	150	150	150
Dnd	[mm]	125	125	125	125
a	[mm]	140	140	140	140
h2	[mm]	355	355	355	355
L	[mm]	288	287	287	427
h1	[mm]	280	280	280	280
G1	[mm]	227	227	227	227
G2	[mm]	262	262	262	262
m1	[mm]	200	200	200	200
m2	[mm]	150	150	150	150
n1	[mm]	500	500	500	500
n2	[mm]	400	400	400	400
b	[mm]	100	100	100	100
s	[mm]	22	22	22	22
H	[mm]	160	180	180	200
LB	[mm]	544	602	641	688
AD	[mm]	222	294	294	306
AG	[mm]	152	263	263	263
LL	[mm]	152	195	195	195
P	[mm]	254	356	356	400
C	[mm]	108	121	121	133
B	[mm]	254	241	279	308
A	[mm]	254	279	279	318
K	[mm]	15	15	15	19
Net Weight	[kg]	210	333	349	420
Gross Weight	[kg]	286	414	430	516
Volume	[m ³]	0.681	0.681	0.681	0.883

Performance curves

LES 125-3154

Single-stage end-suction pumps

4-pole



4 POLE

Performance Data At n=1450 RPM

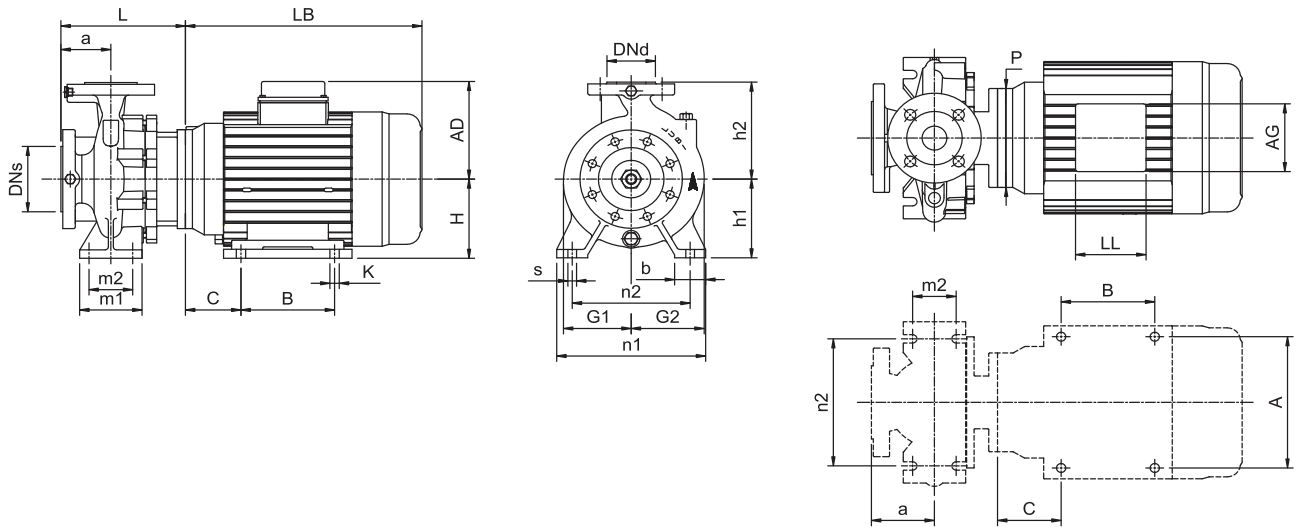
MODEL	POWER		m³/h l/min	90	108	120	132	150	168	180	210	240	270	300	330	360
	KW	HP		1500	1800	2000	2200	2500	2800	3000	3500	4000	4500	5000	5500	6000
LES 125-3154D	15.0	20.0	H (m)	24.1	23.9	23.5	23.2	22.5	21.5	20.8	18.5	15.5	12.2	8.4	-	-
LES 125-3154C	18.5	25.0		27.7	27.4	27.2	27	26.3	25.4	24.8	22.9	20.2	17.5	13.5	-	-
LES 125-3154B	22.0	30.0		31.1	30.8	30.5	30	29.4	28.4	27.9	26	23.5	20.7	17.1	13	-
LES 125-3154A	30.0	40.0		36.7	36.5	36.3	36	35.6	35	34.4	32.8	30.5	28	24.7	21	16.2

Technical Data

Single-stage end-suction pumps

LES 125-4004

4-pole



Power	[kw]	37	45	55	75
	[hp]	50	60	75	100
Frame		225S	225M	250M	280S
PN	[bar]	16	16	16	16
Code for Impeller diameter		D	C	B	A
DNs	[mm]	150	150	150	150
Dnd	[mm]	125	125	125	125
a	[mm]	140	140	140	140
h2	[mm]	400	400	400	400
L	[mm]	437	437	437	437
h1	[mm]	315	315	315	315
G1	[mm]	267	267	267	267
G2	[mm]	299	299	299	299
m1	[mm]	200	200	200	200
m2	[mm]	150	150	150	150
n1	[mm]	500	500	500	500
n2	[mm]	400	400	400	400
b	[mm]	100	100	100	100
s	[mm]	22	22	22	22
H	[mm]	225	225	250	280
LB	[mm]	700	725	795	870
AD	[mm]	328	328	414	445
AG	[mm]	263	263	327	327
LL	[mm]	195	195	240	240
P	[mm]	450	450	550	550
C	[mm]	149	149	168	190
B	[mm]	286	311	349	368
A	[mm]	356	356	406	457
K	[mm]	19	19	24	24
Net Weight	[kg]	503	530	673	836
Gross Weight	[kg]	613	640	785	948
Volume	[m³]	1.088	1.088	1.111	1.111

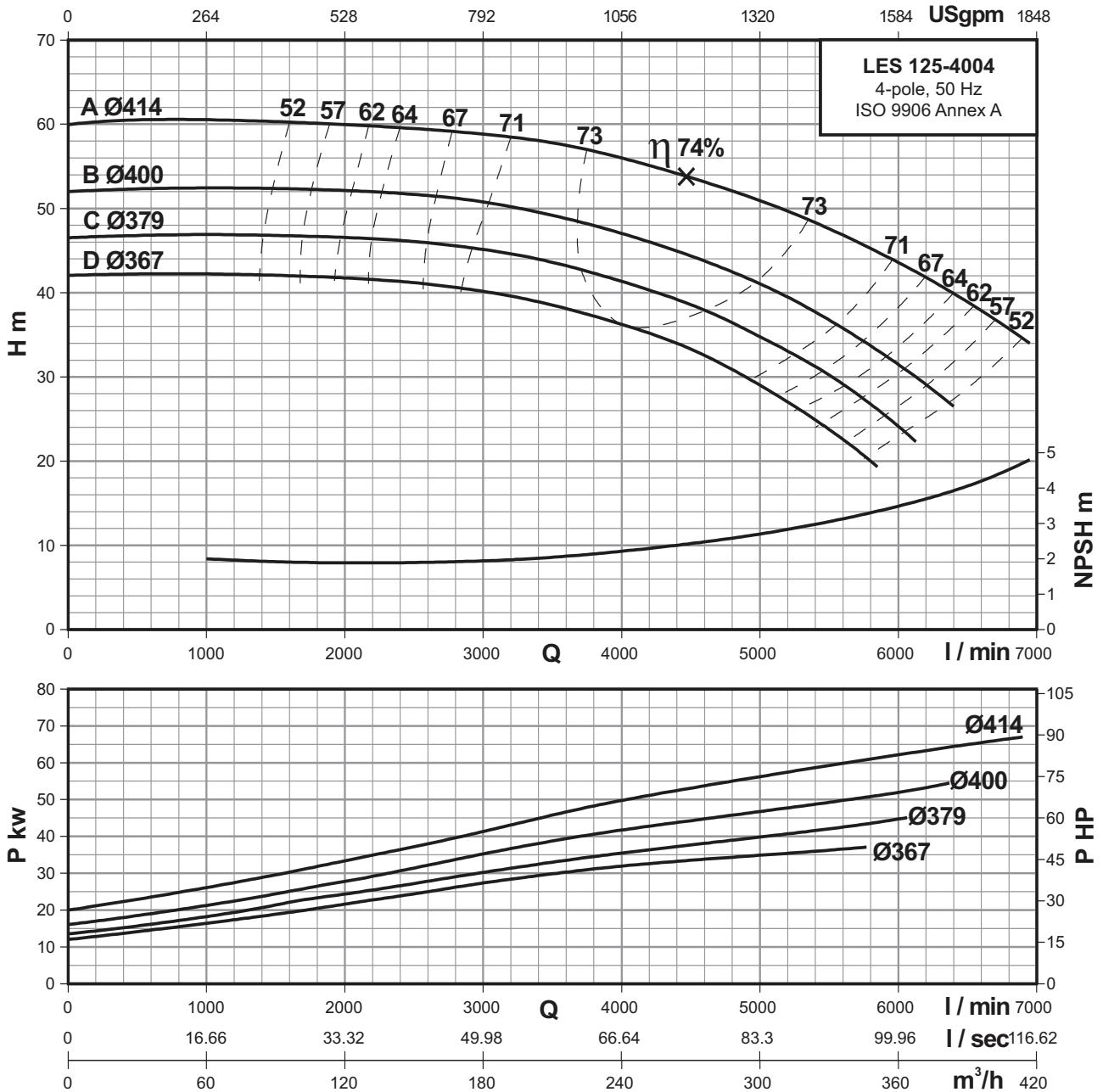
4 POLE

Performance curves

LES 125-4004

Single-stage end-suction pumps

4-pole



4 POLE

Performance Data At n=1450 RPM

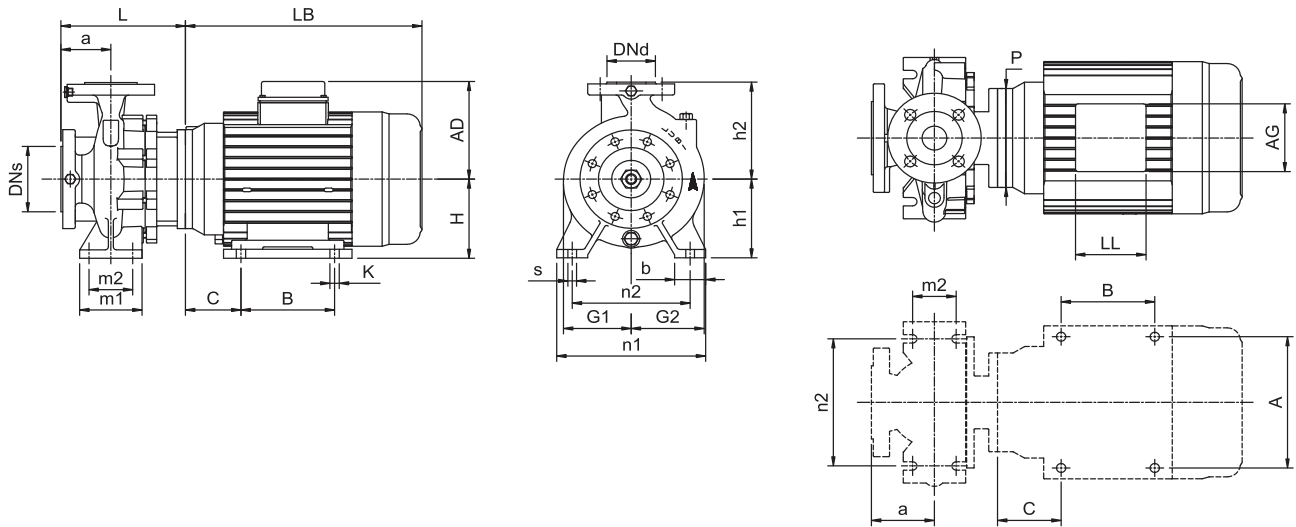
MODEL	POWER		m³/h	120	132	150	168	180	210	240	270	300	330	360	390	420
	KW	HP		l/min	2000	2200	2500	2800	3000	3500	4000	4500	5000	5500	6000	6500
LES 125-4004D	37.0	50.0	H (m)	41.9	41.5	41	40.6	40	38.6	36.2	33.5	29	24	-	-	-
LES 125-4004C	45.0	60.0		46.5	46.3	46	45.6	45	43.6	41.3	38.8	34.8	30.1	24	-	-
LES 125-4004B	55.0	75.0		52	51.9	51.6	51	50.7	49	47	44.3	41	37	31.5	-	-
LES 125-4004A	75.0	100.0		60	59.8	59.5	59	58.8	57.9	56	53.5	51	47.6	43.8	39	33.5

Technical Data

Single-stage end-suction pumps

LES 150-3154

4-pole



4 POLE

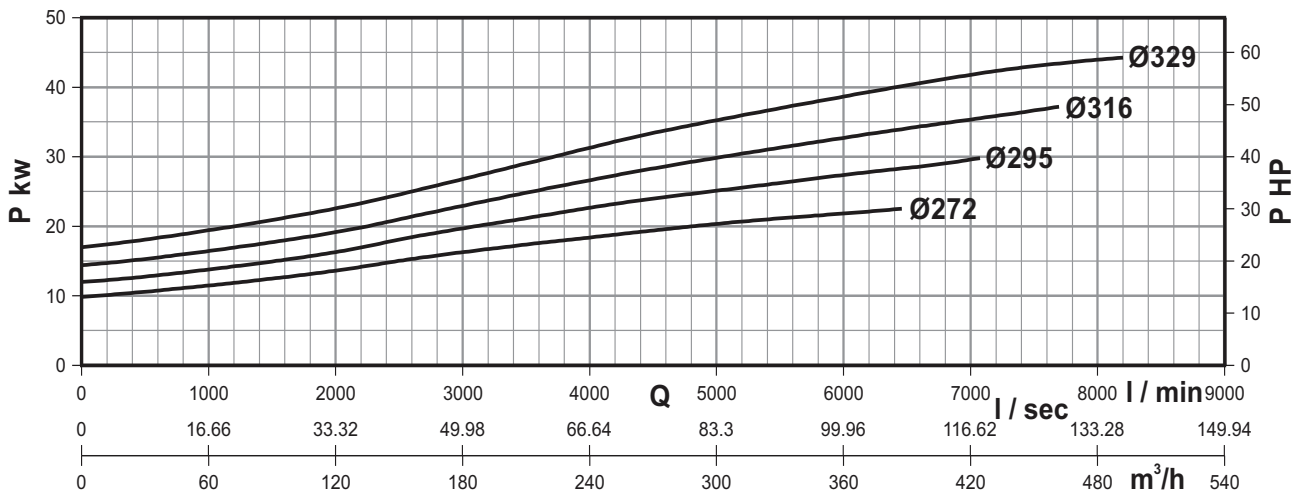
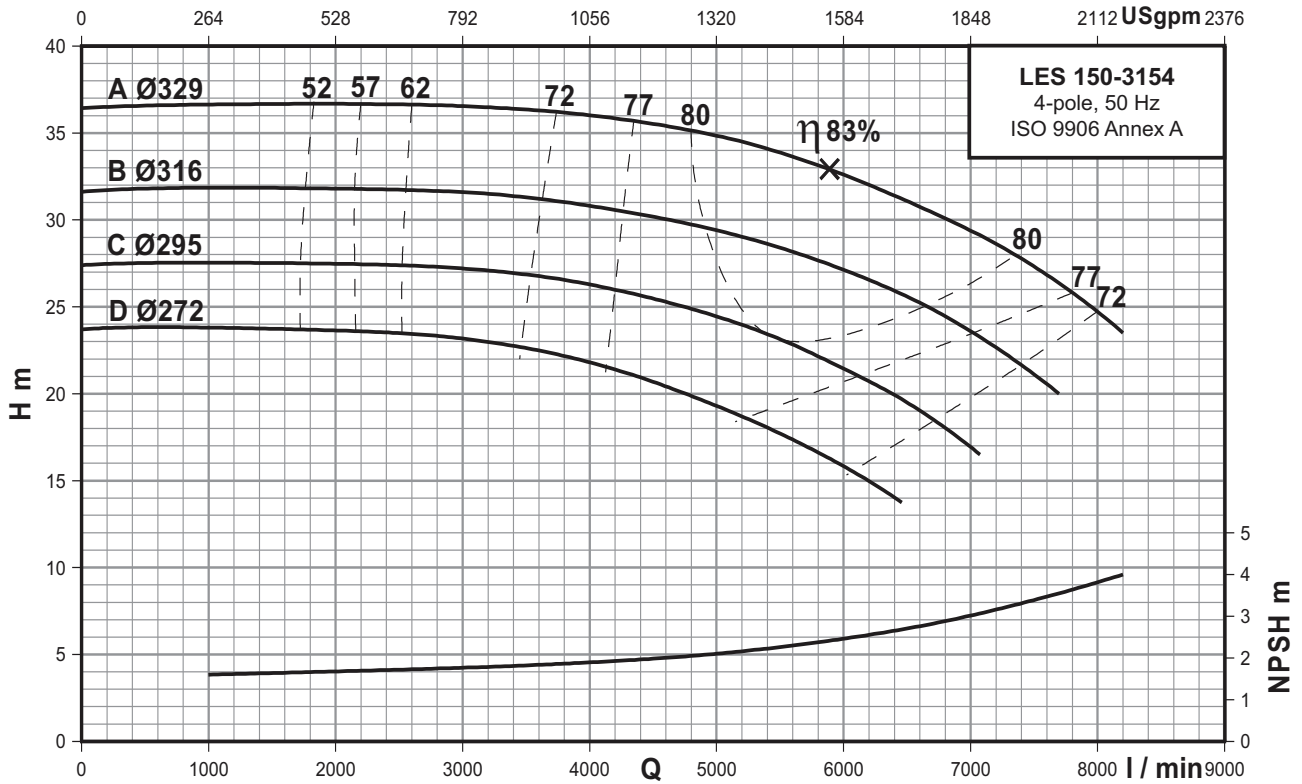
Power	[kw]	22	30	37	45
	[hp]	30	40	50	60
Frame		180L	200L	225S	225M
PN	[bar]	16	16	16	16
Code for Impeller diameter		D	C	B	A
DNs	[mm]	200	200	200	200
Dnd	[mm]	150	150	150	150
a	[mm]	160	160	160	160
h2	[mm]	400	400	400	400
L	[mm]	307	457	457	457
h1	[mm]	280	280	280	280
G1	[mm]	242	242	242	242
G2	[mm]	287	287	287	287
m1	[mm]	200	200	200	200
m2	[mm]	150	150	150	150
n1	[mm]	550	550	550	550
n2	[mm]	450	450	450	450
b	[mm]	100	100	100	100
s	[mm]	22	22	22	22
H	[mm]	180	200	225	225
LB	[mm]	641	688	700	725
AD	[mm]	294	306	328	328
AG	[mm]	263	263	263	263
LL	[mm]	195	195	195	195
P	[mm]	356	400	450	450
C	[mm]	121	133	149	149
B	[mm]	279	308	286	311
A	[mm]	279	318	356	356
K	[mm]	15	19	19	19
Net Weight	[kg]	377	447	501	530
Gross Weight	[kg]	473	543	597	640
Volume	[m³]	0.883	0.883	0.883	1.088

Performance curves

LES 150-3154

Single-stage end-suction pumps

4-pole



4 POLE

Performance Data At n=1450 RPM

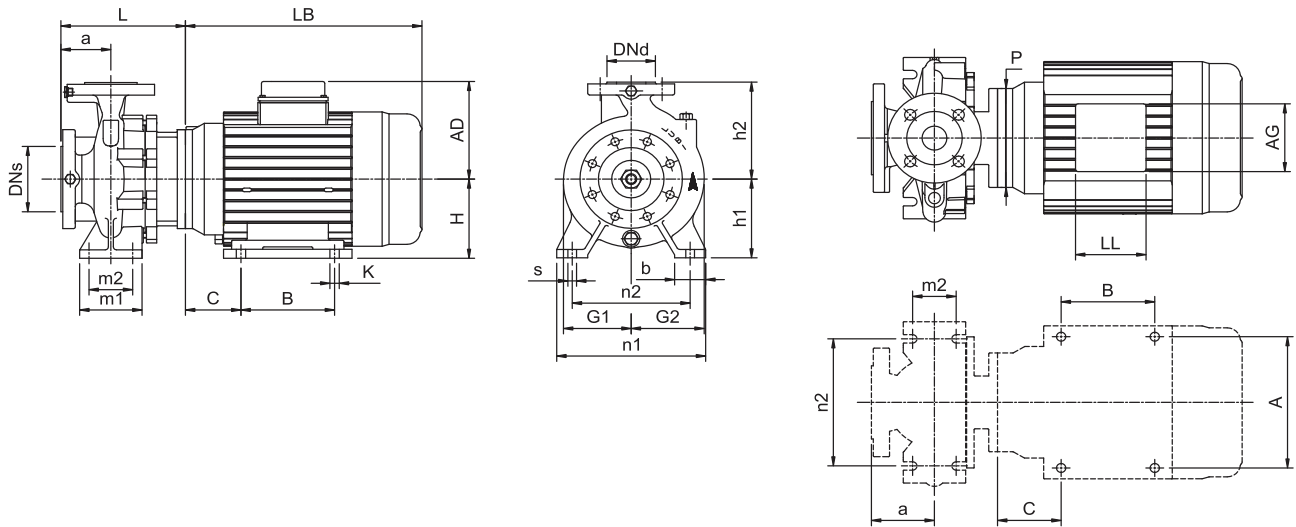
MODEL	POWER		m³/h l/min	180	192	210	228	240	270	300	330	360	390	420	450	480
	KW	HP		3000	3200	3500	3800	4000	4500	5000	5500	6000	6500	7000	7500	8000
LES 150-3154D	22.0	30.0	H (m)	23.2	23	22.7	22.1	21.9	20.7	19.2	17.8	15.8	13.5	-	-	-
LES 150-3154C	30.0	40.0		27.2	27	26.9	26.6	26.3	25.5	24.5	23.2	21.5	19.5	17	-	-
LES 150-3154B	37.0	50.0		31.6	31.5	31.4	31	30.8	30.2	29.3	28.5	27	25.6	23.5	21	-
LES 150-3154A	45.0	60.0		36.5	36.4	36.3	36.2	36	35.5	34.9	33.8	32.5	31	29.4	27.4	24.6

Technical Data

Single-stage end-suction pumps

LES 150-4004

4-pole



4 POLE

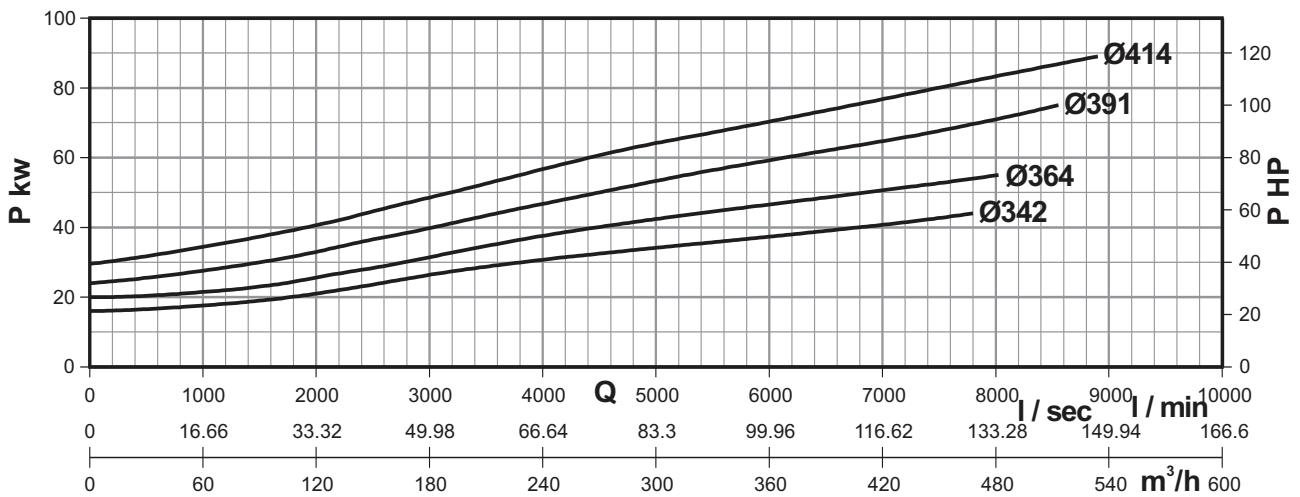
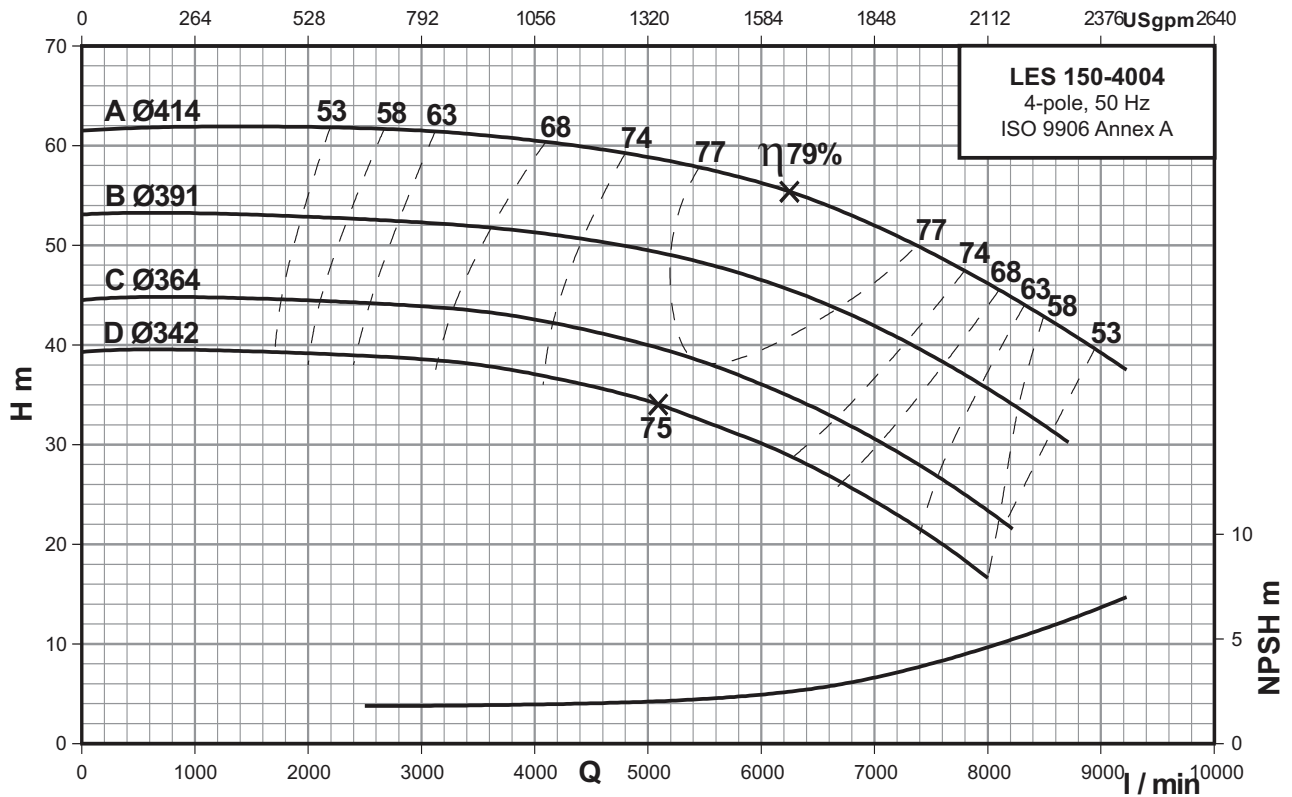
Power	[kw]	45	55	75	90
	[hp]	60	75	100	120
Frame		225M	250M	280S	280M
PN	[bar]	16	16	16	16
Code for Impeller diameter		D	C	B	A
DN _s	[mm]	200	200	200	200
DN _d	[mm]	150	150	150	150
a	[mm]	160	160	160	160
h ₂	[mm]	450	450	450	450
L	[mm]	457	457	457	457
h ₁	[mm]	315	315	315	315
G ₁	[mm]	279	279	279	279
G ₂	[mm]	320	320	320	320
m ₁	[mm]	200	200	200	200
m ₂	[mm]	150	150	150	150
n ₁	[mm]	550	550	550	550
n ₂	[mm]	450	450	450	450
b	[mm]	100	100	100	100
s	[mm]	22	22	22	22
H	[mm]	225	250	280	280
LB	[mm]	725	795	870	870
AD	[mm]	328	414	445	445
AG	[mm]	263	327	327	327
LL	[mm]	195	240	240	240
P	[mm]	450	550	550	550
C	[mm]	149	168	190	190
B	[mm]	311	349	368	419
A	[mm]	356	406	457	457
K	[mm]	19	24	24	24
Net Weight	[kg]	553	696	859	929
Gross Weight	[kg]	663	808	998	1068
Volume	[m ³]	1.088	1.088	1.570	1.570

Performance curves

LES 150-4004

Single-stage end-suction pumps

4-pole



4 POLE

Performance Data At n=1450 RPM

MODEL	POWER		m ³ /h l/min	180	210	240	270	300	330	360	390	420	450	480	510	540
	KW	HP		3000	3500	4000	4500	5000	5500	6000	6500	7000	7500	8000	8500	9000
LES 150-4004D	45.0	60.0	H (m)	38.5	38	37.2	36	34.3	32.5	30	27.4	24.2	21	-	-	-
LES 150-4004C	55.0	75.0		44	43.4	42.5	41.4	40	38.3	36	33.5	30.5	27.3	23.4	-	-
LES 150-4004B	75.0	100.0		52.2	52	51.3	50.5	49.5	48.1	46.5	44.6	42	39	35.5	32	-
LES 150-4004A	90.0	120.0		61.5	61	60.5	59.9	58.8	57.7	56.2	54.5	52	49.4	46	43	39