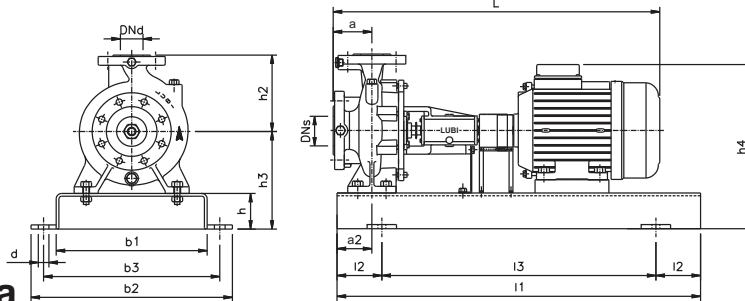
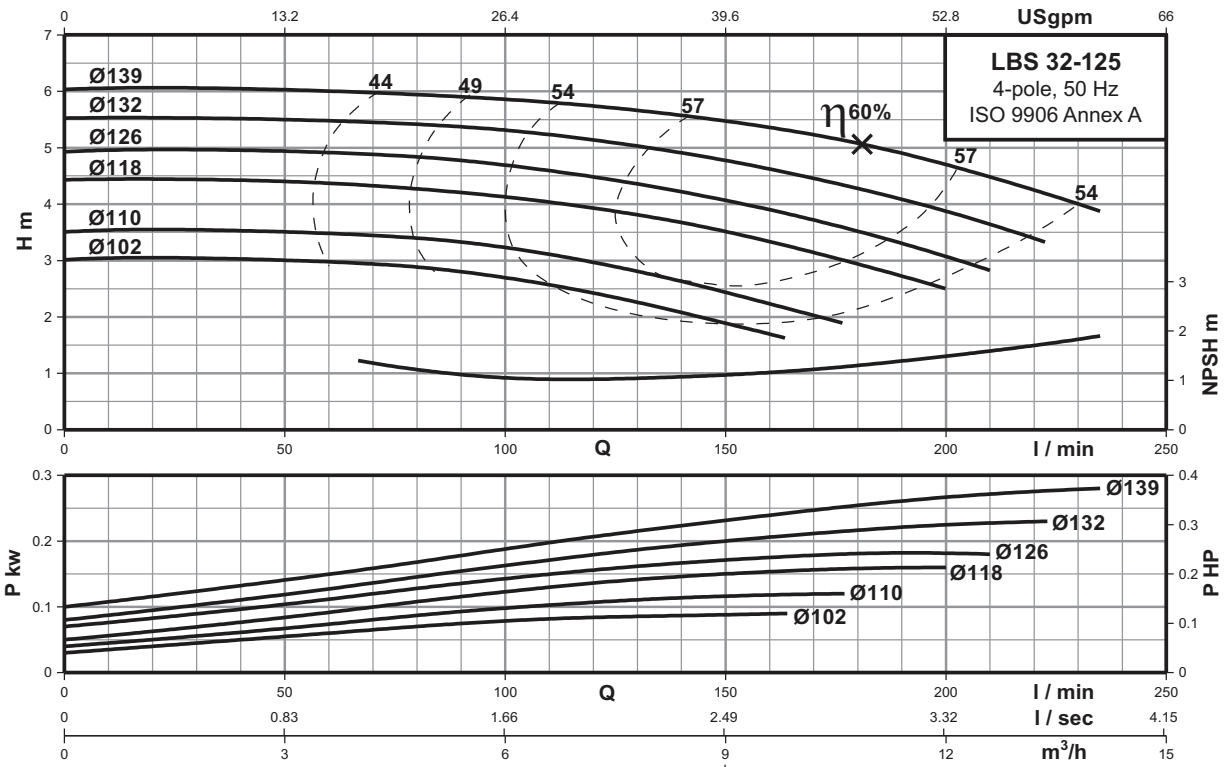


Performance curves

LBS 32-125

Single-stage bare shaft end-suction pumps

4-pole



Technical data

Power	[kw]	0.37
	[hp]	0.5
Frame		71L
PN	[bar]	16
DNs	[mm]	50
DNd	[mm]	32
a	[mm]	80
h2	[mm]	140
L	[mm]	699
l1	[mm]	800
l2	[mm]	130
l3	[mm]	540
b1	[mm]	270
b2	[mm]	360
b3	[mm]	320
d	[mm]	19
a2	[mm]	60
h	[mm]	65
h3	[mm]	177
h4	[mm]	283
Base frame no.		2
Net Weight	[kg]	49
Gross Weight	[kg]	59
Volume	[m ³]	0.192

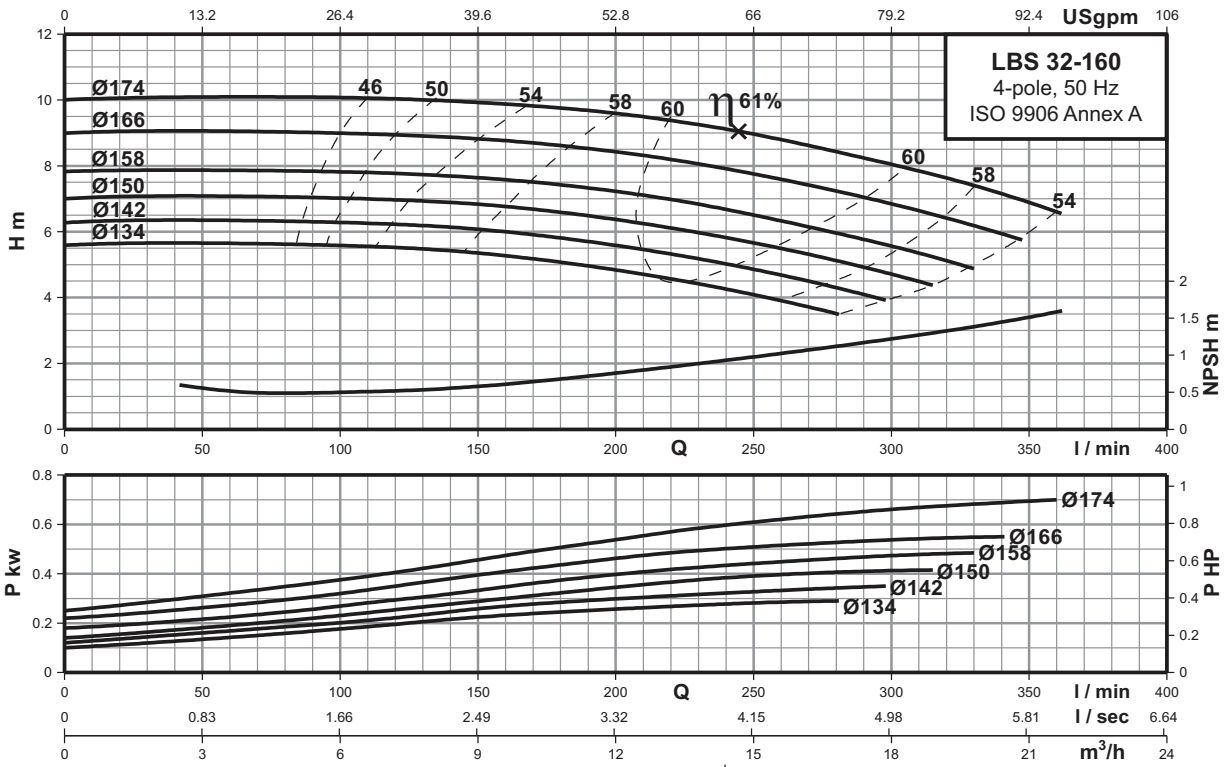
4 POLE

Performance curves

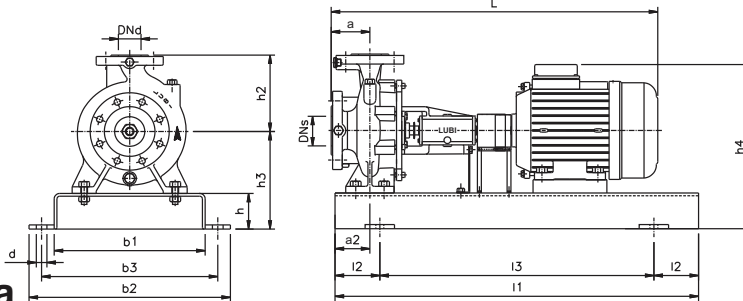
LBS 32-160

Single-stage bare shaft end-suction pumps

4-pole



4 POLE



Technical data

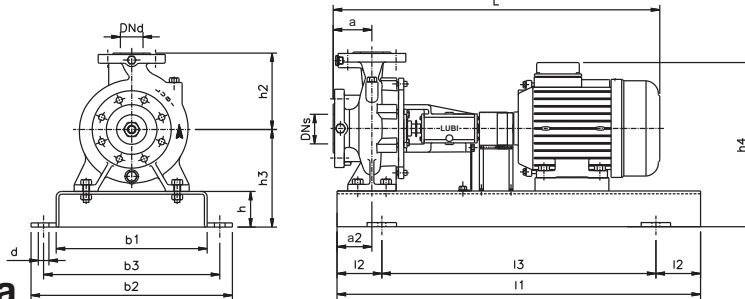
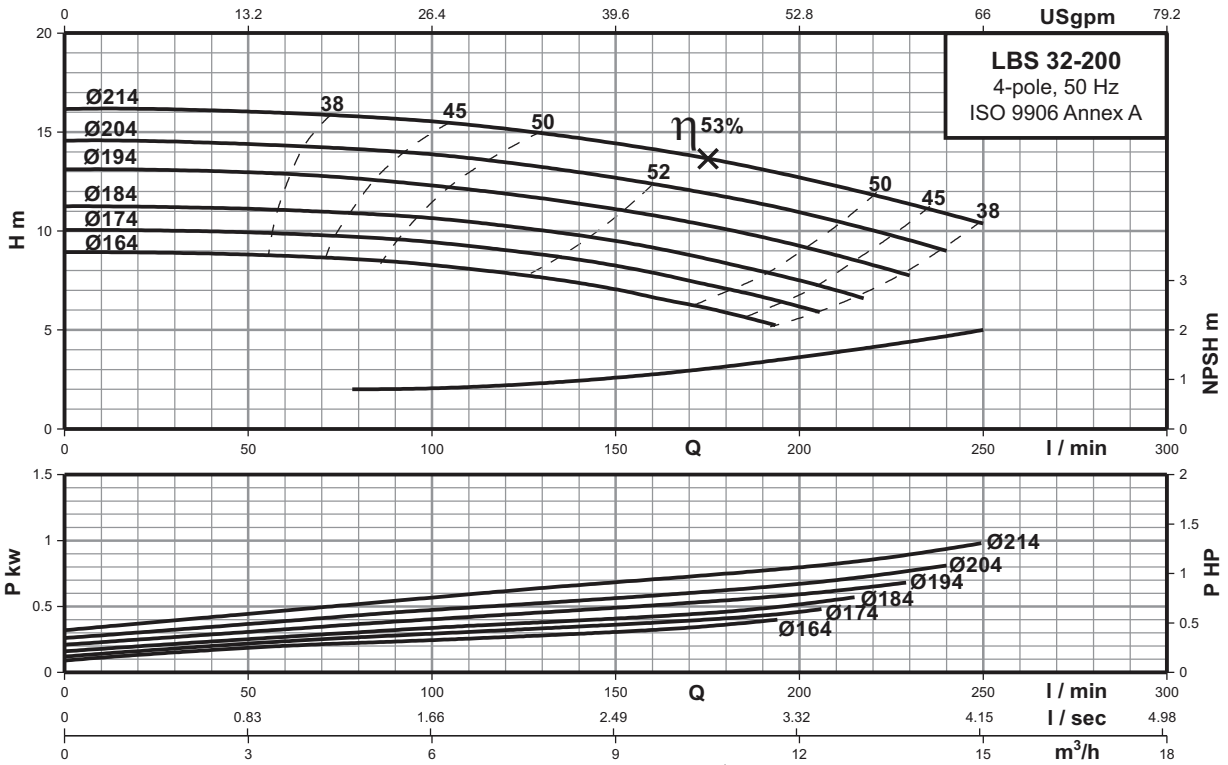
Power	[kw]	0.37	0.55	0.75
	[hp]	0.5	0.75	1
Frame		71L	80L	80L
PN	[bar]	16	16	16
DNs	[mm]	50	50	50
DNd	[mm]	32	32	32
a	[mm]	80	80	80
h2	[mm]	160	160	160
L	[mm]	699	722	722
i1	[mm]	800	800	800
i2	[mm]	130	130	130
i3	[mm]	540	540	540
b1	[mm]	270	270	270
b2	[mm]	360	360	360
b3	[mm]	320	320	320
d	[mm]	19	19	19
a2	[mm]	60	60	60
h	[mm]	65	65	65
h3	[mm]	197	197	197
h4	[mm]	303	315	315
Base frame no.		2	2	2
Net Weight	[kg]	58	59	60
Gross Weight	[kg]	68	69	70
Volume	[m³]	0.192	0.192	0.192

Performance curves

LBS 32-200

Single-stage bare shaft end-suction pumps

4-pole



Technical data

Power	[kw]	0.37	0.55	0.75	1.1
	[hp]	0.5	0.75	1	1.5
Frame		71L	80L	80L	90S
PN	[bar]	16	16	16	16
DNs	[mm]	50	50	50	50
DNd	[mm]	32	32	32	32
a	[mm]	80	80	80	80
h2	[mm]	180	180	180	180
L	[mm]	699	722	722	766
l1	[mm]	800	800	800	800
l2	[mm]	130	130	130	130
l3	[mm]	540	540	540	540
b1	[mm]	270	270	270	270
b2	[mm]	360	360	360	360
b3	[mm]	320	320	320	320
d	[mm]	19	19	19	19
a2	[mm]	60	60	60	60
h	[mm]	65	65	65	65
h3	[mm]	225	225	225	225
h4	[mm]	331	343	343	314
Base frame no.		2	2	2	2
Net Weight	[kg]	63	64	65	70
Gross Weight	[kg]	73	74	75	80
Volume	[m³]	0.192	0.192	0.192	0.192

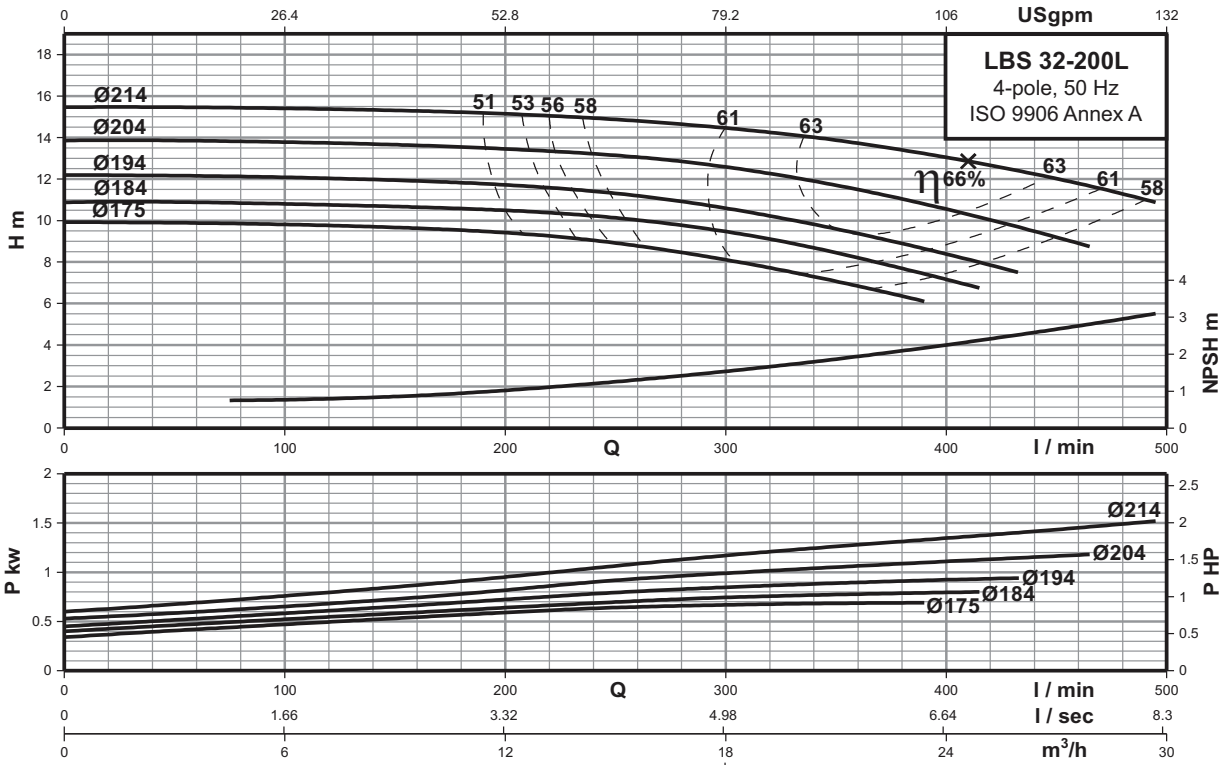
4 POLE

Performance curves

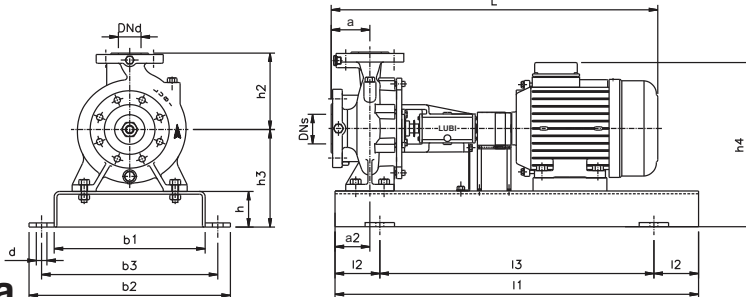
LBS 32-200L

Single-stage bare shaft end-suction pumps

4-pole



4 POLE



Technical data

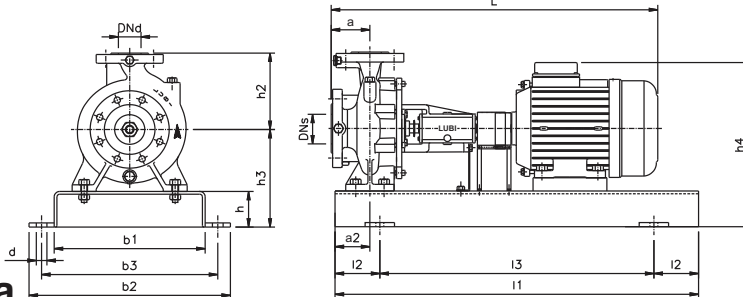
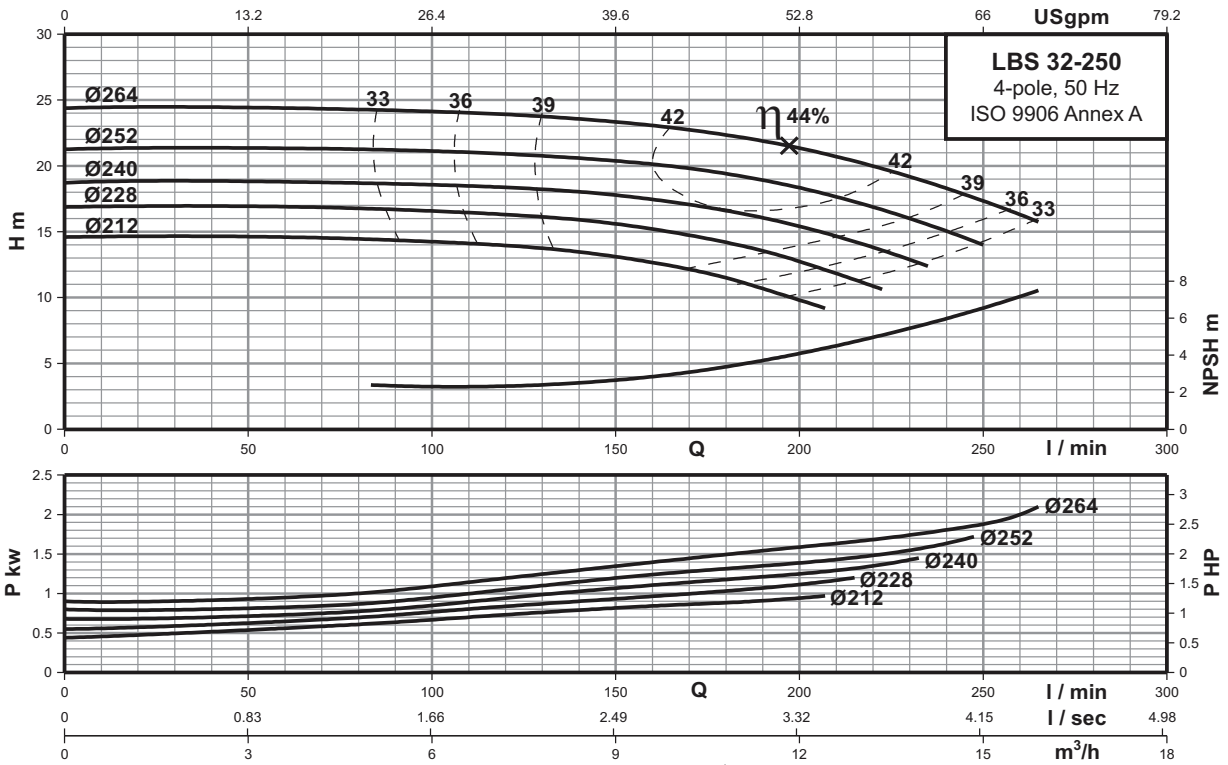
Power	[kw]	0.75	1.1	1.5
	[hp]	1	1.5	2
Frame		80L	90S	90L
PN	[bar]	16	16	16
DNs	[mm]	50	50	50
DNd	[mm]	32	32	32
a	[mm]	80	80	80
h2	[mm]	180	180	180
L	[mm]	722	766	780
l1	[mm]	800	800	900
l2	[mm]	130	130	150
l3	[mm]	540	540	600
b1	[mm]	270	270	300
b2	[mm]	360	360	390
b3	[mm]	320	320	350
d	[mm]	19	19	19
a2	[mm]	60	60	60
h	[mm]	65	65	65
h3	[mm]	225	225	225
h4	[mm]	343	314	351
Base frame no.		2	2	3
Net Weight	[kg]	63	68	72
Gross Weight	[kg]	73	78	82
Volume	[m³]	0.192	0.217	0.217

Performance curves

LBS 32-250

Single-stage bare shaft end-suction pumps

4-pole



Technical data

Power	[kw]	1.1	1.5	2.2
	[hp]	1.5	2	3
Frame		90S	90L	100L
PN	[bar]	16	16	16
DNs	[mm]	50	50	50
DNd	[mm]	32	32	32
a	[mm]	100	100	100
h2	[mm]	225	225	225
L	[mm]	786	800	841
i1	[mm]	1000	1000	1000
i2	[mm]	170	170	170
i3	[mm]	660	660	660
b1	[mm]	340	340	340
b2	[mm]	450	450	450
b3	[mm]	400	400	400
d	[mm]	24	24	24
a2	[mm]	75	75	75
h	[mm]	80	80	80
h3	[mm]	260	260	260
h4	[mm]	349	386	412
Base frame no.		4	4	4
Net Weight	[kg]	85	87	105
Gross Weight	[kg]	153	155	173
Volume	[m ³]	0.529	0.529	0.529

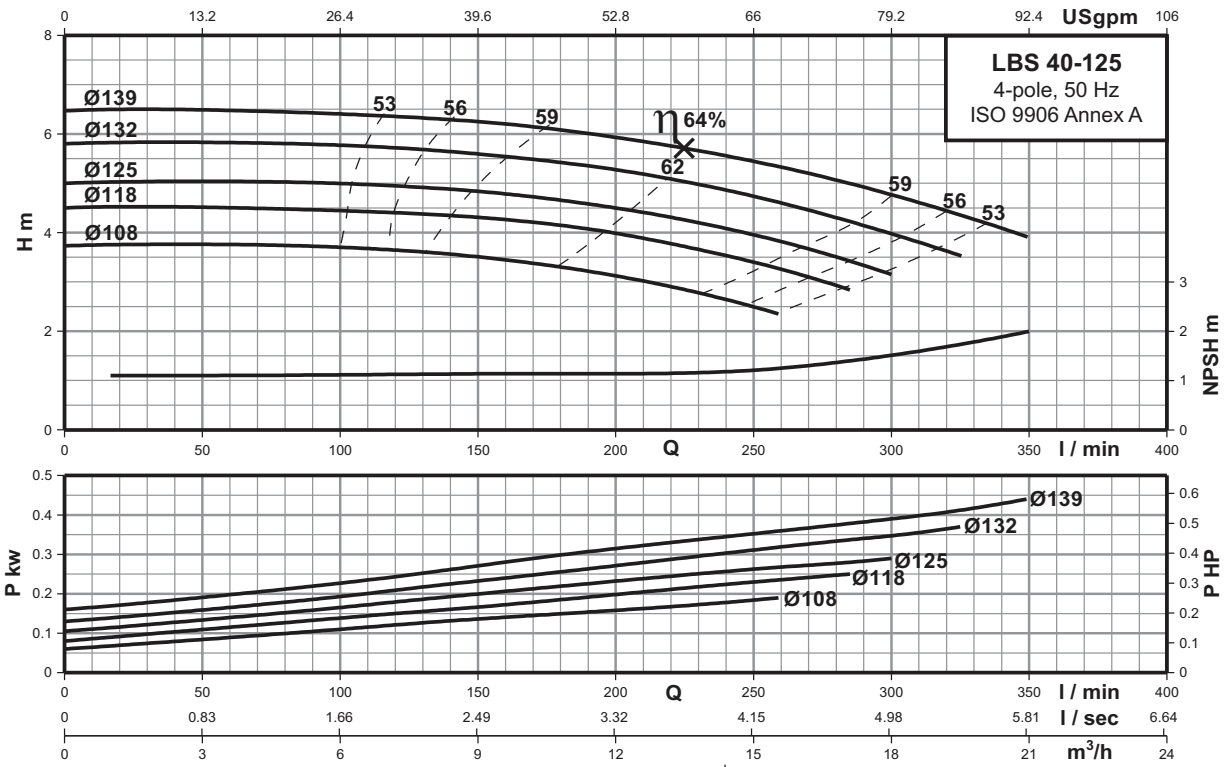
4 POLE

Performance curves

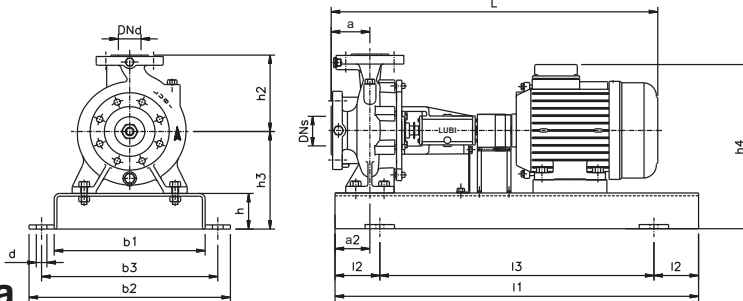
LBS 40-125

Single-stage bare shaft end-suction pumps

4-pole



4 POLE



Technical data

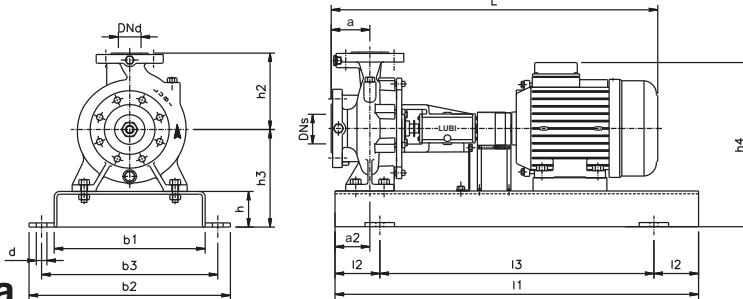
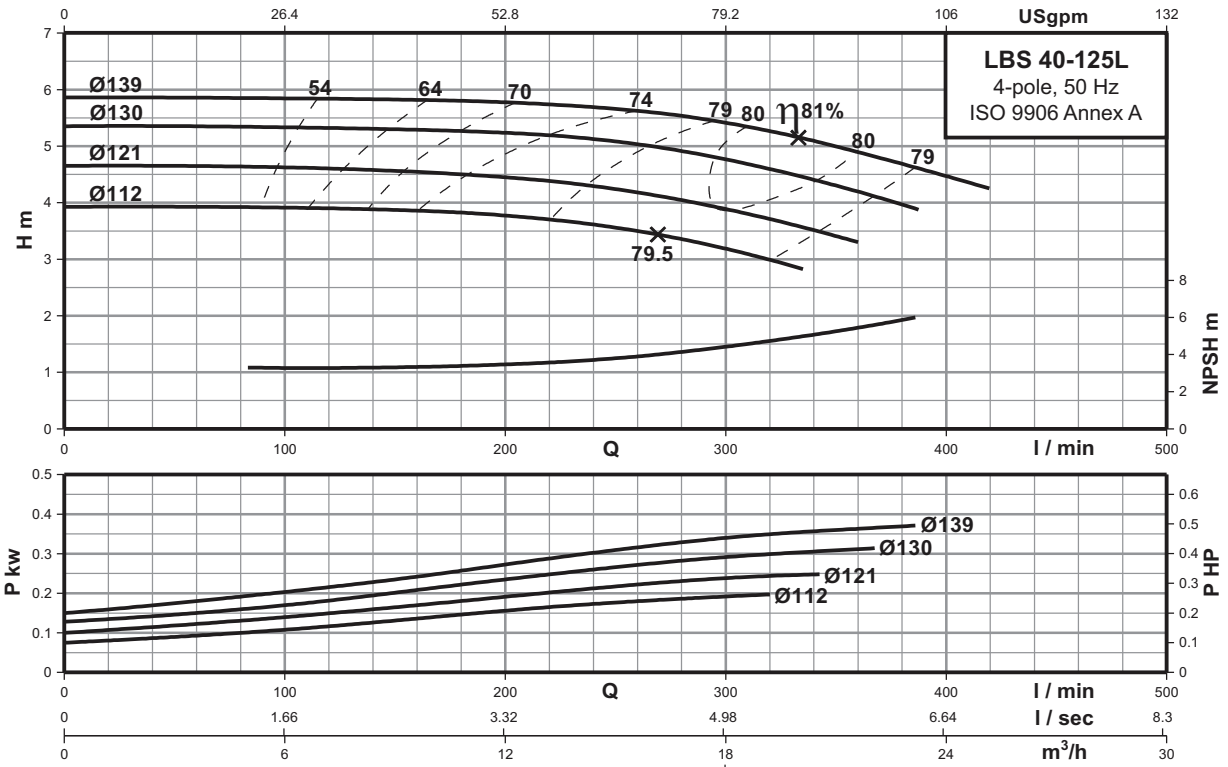
Power	[kw]	0.37
	[hp]	0.5
Frame		71L
PN	[bar]	16
DNs	[mm]	50
DNd	[mm]	32
a	[mm]	80
h2	[mm]	140
L	[mm]	699
i1	[mm]	800
i2	[mm]	130
i3	[mm]	540
b1	[mm]	270
b2	[mm]	360
b3	[mm]	320
d	[mm]	19
a2	[mm]	60
h	[mm]	65
h3	[mm]	177
h4	[mm]	283
Base frame no.		2
Net Weight	[kg]	51
Gross Weight	[kg]	61
Volume	[m³]	0.192

Performance curves

LBS 40-125L

Single-stage bare shaft end-suction pumps

4-pole



Technical data

Power	[kw]	0.37
	[hp]	0.5
Frame		71L
PN	[bar]	16
DNs	[mm]	50
DNd	[mm]	32
a	[mm]	80
h2	[mm]	140
L	[mm]	699
l1	[mm]	800
l2	[mm]	130
l3	[mm]	540
b1	[mm]	270
b2	[mm]	360
b3	[mm]	320
d	[mm]	19
a2	[mm]	60
h	[mm]	65
h3	[mm]	177
h4	[mm]	283
Base frame no.		2
Net Weight	[kg]	51
Gross Weight	[kg]	61
Volume	[m ³]	0.192

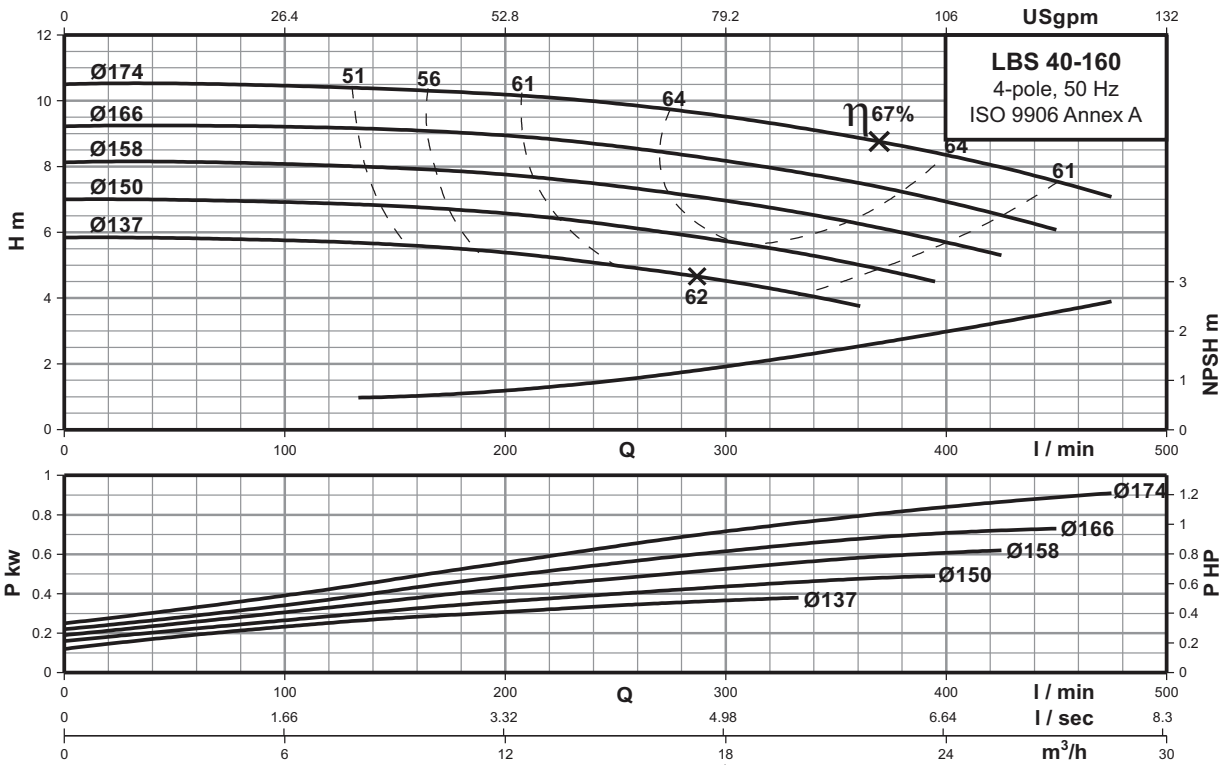
4 POLE

Performance curves

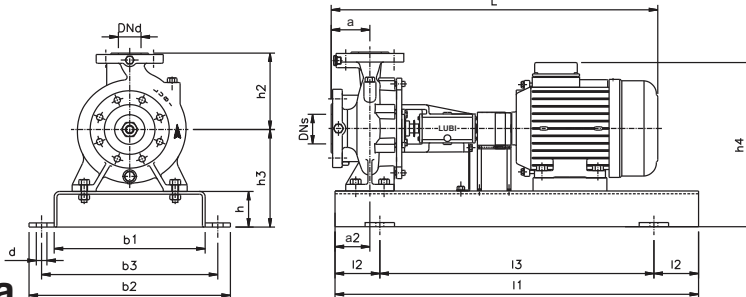
LBS 40-160

Single-stage bare shaft end-suction pumps

4-pole



4 POLE



Technical data

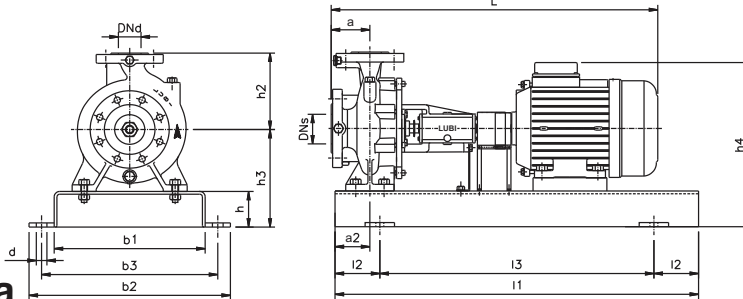
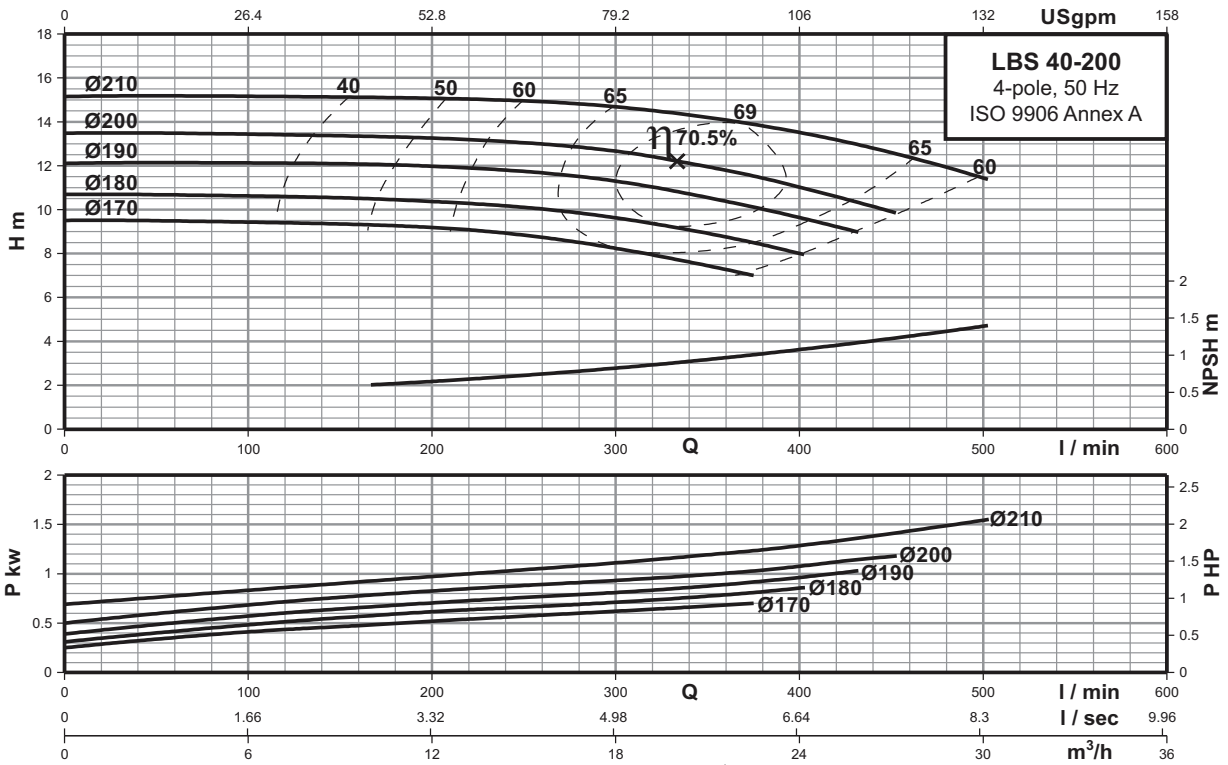
Power	[kw]	0.37	0.55	0.75	1.1
	[hp]	0.5	0.75	1	1.5
Frame		71L	80L	80L	90S
PN	[bar]	16	16	16	16
DNs	[mm]	65	65	65	65
DNd	[mm]	40	40	40	40
a	[mm]	80	80	80	80
h2	[mm]	160	160	160	160
L	[mm]	699	722	722	766
l1	[mm]	800	800	800	800
l2	[mm]	130	130	130	130
l3	[mm]	540	540	540	540
b1	[mm]	270	270	270	270
b2	[mm]	360	360	360	360
b3	[mm]	320	320	320	320
d	[mm]	19	19	19	19
a2	[mm]	60	60	60	60
h	[mm]	65	65	65	65
h3	[mm]	197	197	197	197
h4	[mm]	303	315	315	286
Base frame no.		2	2	2	2
Net Weight	[kg]	54	55	56	61
Gross Weight	[kg]	64	65	66	71
Volume	[m³]	0.192	0.192	0.192	0.192

Performance curves

LBS 40-200

Single-stage bare shaft end-suction pumps

4-pole



Technical data

Power	[kw]	0.75	1.1	1.5
	[hp]	1	1.5	2
Frame		80L	90S	90L
PN	[bar]	16	16	16
DNs	[mm]	65	65	65
DNd	[mm]	40	40	40
a	[mm]	100	100	100
h2	[mm]	180	180	180
L	[mm]	742	786	800
i1	[mm]	900	900	900
i2	[mm]	150	150	150
i3	[mm]	600	600	600
b1	[mm]	300	300	300
b2	[mm]	390	390	390
b3	[mm]	350	350	350
d	[mm]	19	19	19
a2	[mm]	60	60	60
h	[mm]	65	65	65
h3	[mm]	225	225	225
h4	[mm]	343	314	351
Base frame no.		3	3	3
Net Weight	[kg]	63	68	70
Gross Weight	[kg]	73	78	80
Volume	[m³]	0.217	0.217	0.217

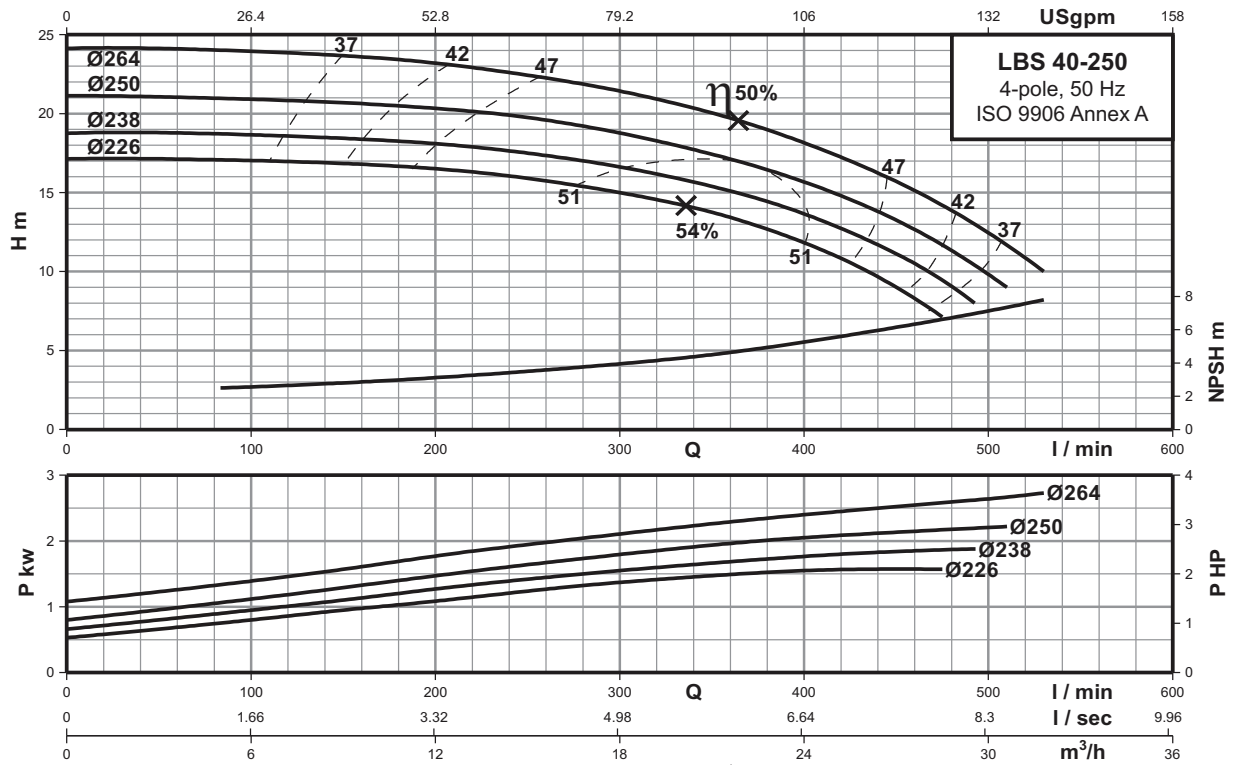
4 POLE

Performance curves

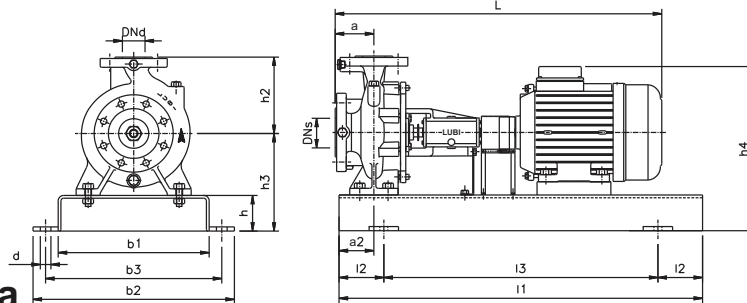
LBS 40-250

Single-stage bare shaft end-suction pumps

4-pole



4 POLE



Technical data

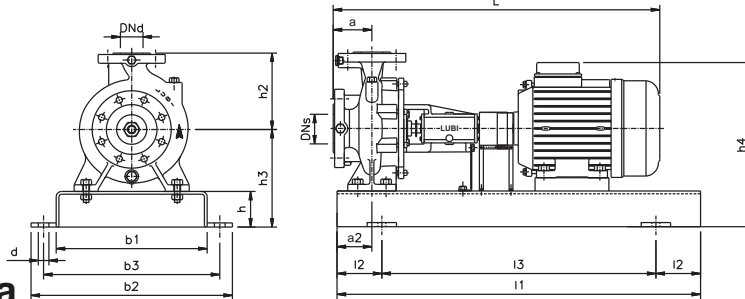
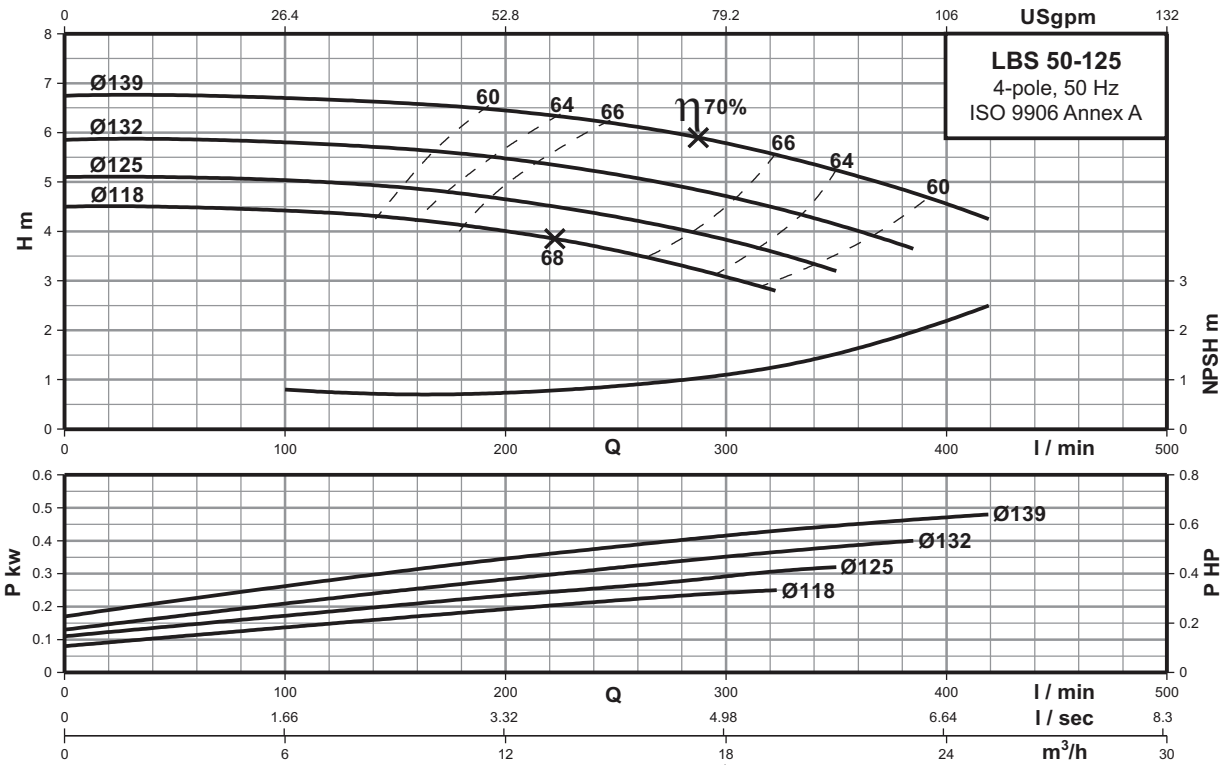
Power	[kw]	1.5	2.2	3
	[hp]	2	3	4
Frame		90L	100L	112M
PN	[bar]	16	16	16
DNs	[mm]	65	65	65
DNd	[mm]	40	40	40
a	[mm]	100	100	100
h2	[mm]	225	225	225
L	[mm]	800	841	876
i1	[mm]	1000	1000	1000
i2	[mm]	170	170	170
i3	[mm]	660	660	660
b1	[mm]	340	340	340
b2	[mm]	450	450	450
b3	[mm]	400	400	400
d	[mm]	24	24	24
a2	[mm]	75	75	75
h	[mm]	80	80	80
h3	[mm]	260	260	260
h4	[mm]	386	412	424
Base frame no.		4	4	4
Net Weight	[kg]	91	109	113
Gross Weight	[kg]	159	177	181
Volume	[m³]	0.529	0.529	0.529

Performance curves

LBS 50-125

Single-stage bare shaft end-suction pumps

4-pole



Technical data

Power	[kw]	0.37	0.55
	[hp]	0.5	0.75
Frame		71L	80L
PN	[bar]	16	16
DNs	[mm]	65	65
DNd	[mm]	50	50
a	[mm]	100	100
h2	[mm]	160	160
L	[mm]	719	742
l1	[mm]	800	800
l2	[mm]	130	130
l3	[mm]	540	540
b1	[mm]	270	270
b2	[mm]	360	360
b3	[mm]	320	320
d	[mm]	19	19
a2	[mm]	60	60
h	[mm]	65	65
h3	[mm]	197	197
h4	[mm]	303	315
Base frame no.		2	2
Net Weight	[kg]	53	54
Gross Weight	[kg]	63	64
Volume	[m ³]	0.192	0.192

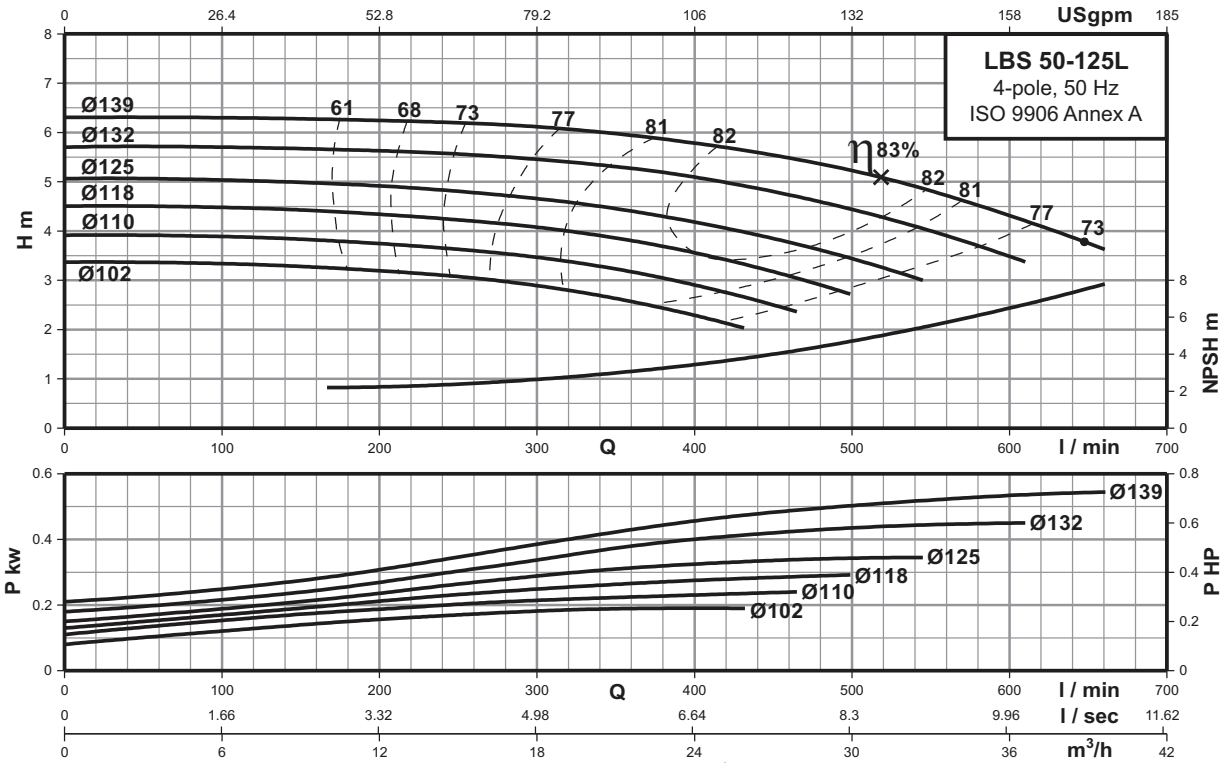
4 POLE

Performance curves

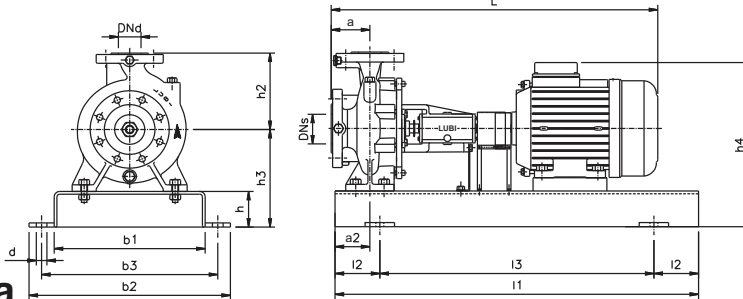
LBS 50-125L

Single-stage bare shaft end-suction pumps

4-pole



4 POLE



Technical data

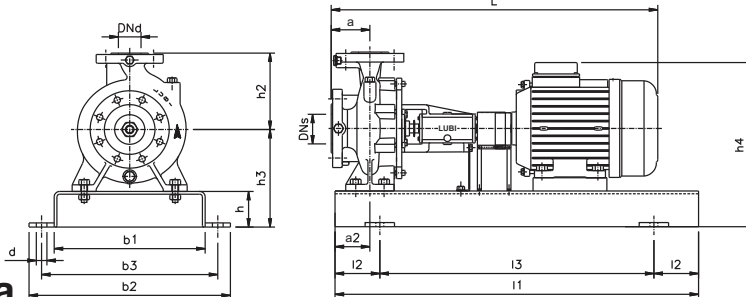
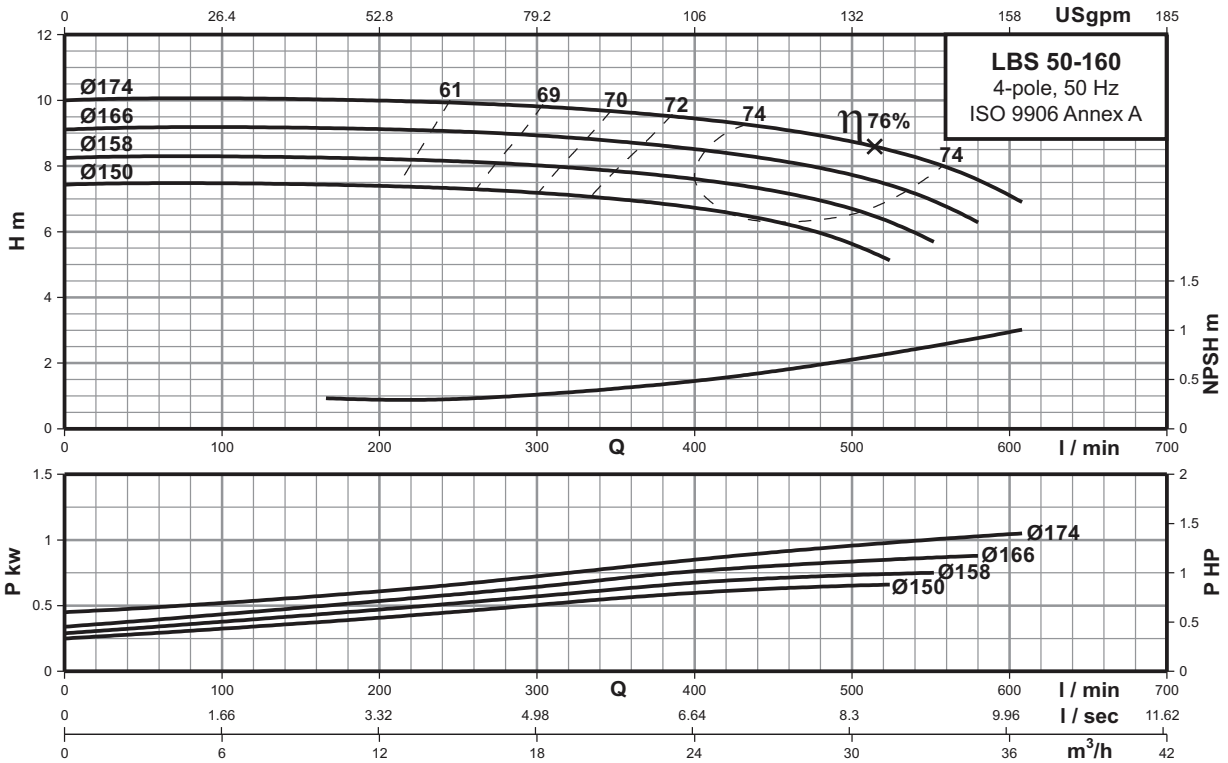
Power	[kw]	0.37	0.55
	[hp]	0.5	0.75
Frame		71L	80L
PN	[bar]	16	16
DNs	[mm]	65	65
DNd	[mm]	50	50
a	[mm]	100	100
h2	[mm]	160	160
L	[mm]	719	742
l1	[mm]	800	800
l2	[mm]	130	130
l3	[mm]	540	540
b1	[mm]	270	270
b2	[mm]	360	360
b3	[mm]	320	320
d	[mm]	19	19
a2	[mm]	60	60
h	[mm]	65	65
h3	[mm]	197	197
h4	[mm]	303	315
Base frame no.		2	2
Net Weight	[kg]	53	54
Gross Weight	[kg]	63	64
Volume	[m³]	0.192	0.192

Performance curves

LBS 50-160

Single-stage bare shaft end-suction pumps

4-pole



Technical data

Power	[kw]	0.55	0.75	1.1
	[hp]	0.75	1	1.5
Frame		80L	80L	90S
PN	[bar]	16	16	16
DNs	[mm]	65	65	65
DNd	[mm]	50	50	50
a	[mm]	100	100	100
h2	[mm]	180	180	180
L	[mm]	742	742	786
i1	[mm]	900	900	900
i2	[mm]	150	150	150
i3	[mm]	600	600	600
b1	[mm]	300	300	300
b2	[mm]	390	390	390
b3	[mm]	350	350	350
d	[mm]	19	19	19
a2	[mm]	60	60	60
h	[mm]	65	65	65
h3	[mm]	225	225	225
h4	[mm]	343	343	314
Base frame no.		3	3	3
Net Weight	[kg]	61	62	67
Gross Weight	[kg]	71	72	77
Volume	[m³]	0.217	0.217	0.217

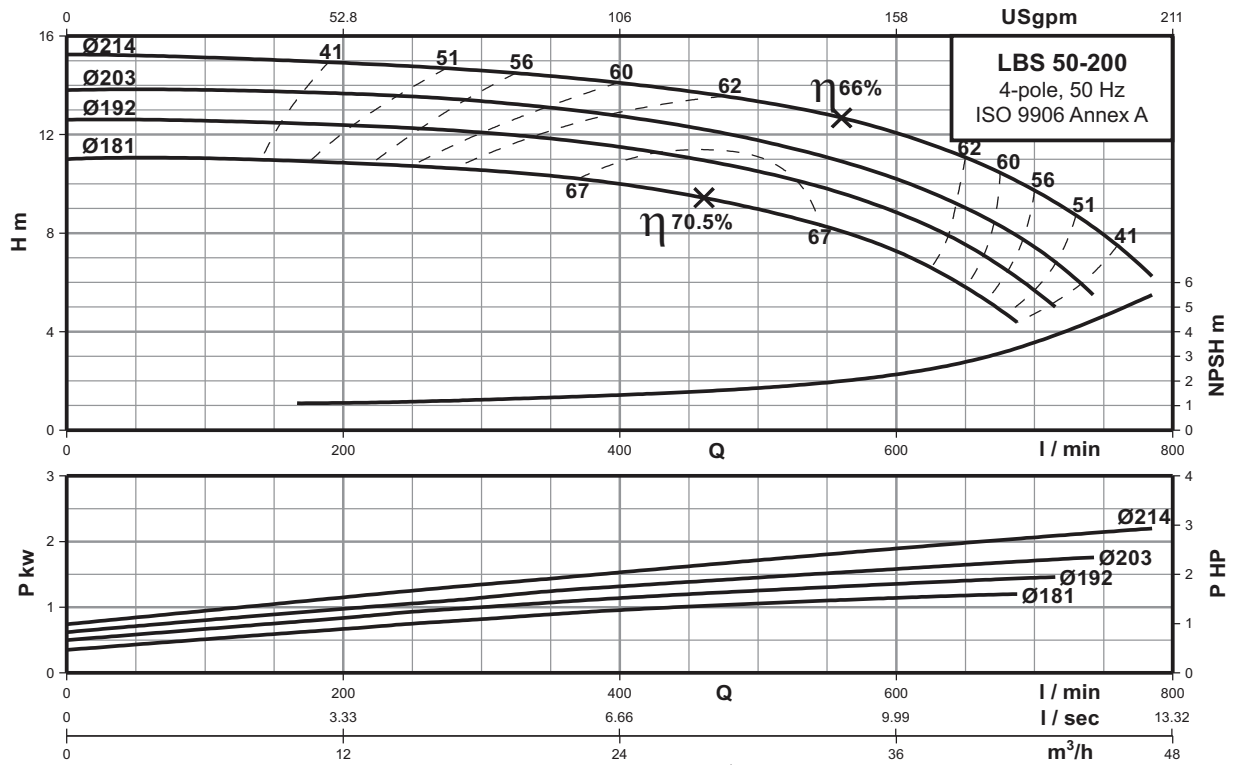
4 POLE

Performance curves

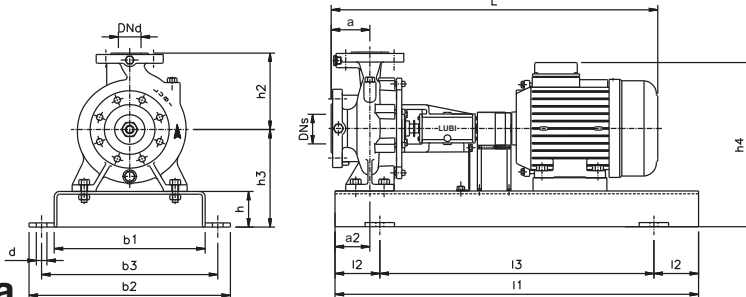
LBS 50-200

Single-stage bare shaft end-suction pumps

4-pole



4 POLE



Technical data

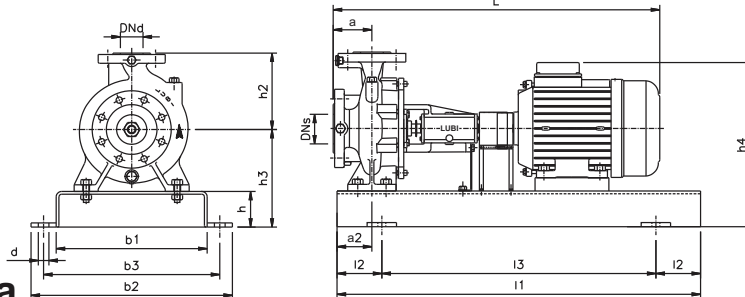
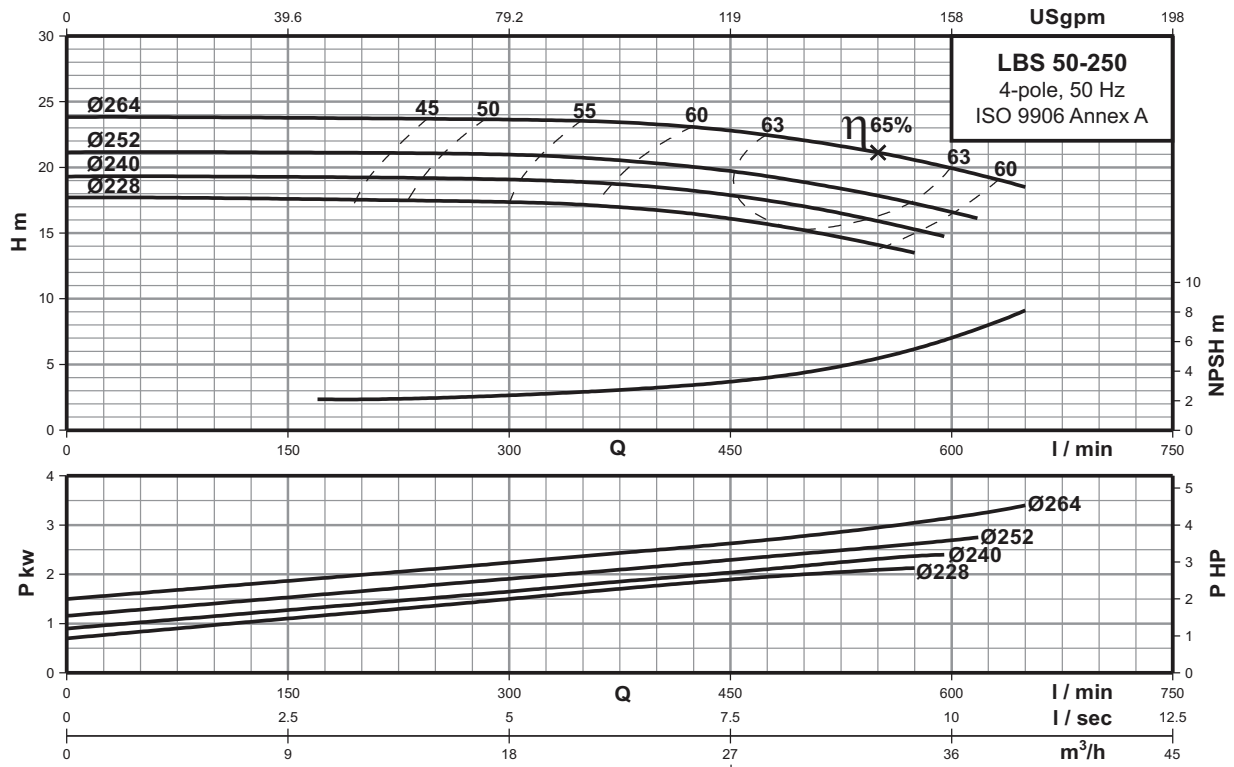
Power	[kw]	1.1	1.5	2.2
	[hp]	1.5	2	3
Frame		90S	90L	100L
PN	[bar]	16	16	16
DNs	[mm]	65	65	65
DNd	[mm]	50	50	50
a	[mm]	100	100	100
h2	[mm]	200	200	200
L	[mm]	786	800	841
i1	[mm]	900	900	900
i2	[mm]	150	150	150
i3	[mm]	600	600	600
b1	[mm]	300	300	300
b2	[mm]	390	390	390
b3	[mm]	350	350	350
d	[mm]	19	19	19
a2	[mm]	60	60	60
h	[mm]	65	65	65
h3	[mm]	225	225	225
h4	[mm]	314	351	377
Base frame no.		3	3	3
Net Weight	[kg]	71	73	91
Gross Weight	[kg]	81	83	101
Volume	[m³]	0.217	0.217	0.217

Performance curves

LBS 50-250

Single-stage bare shaft end-suction pumps

4-pole



Technical data

Power	[kw]	2.2	3	4
	[hp]	3	4	5.5
Frame		100L	112M	112M
PN	[bar]	16	16	16
DNs	[mm]	65	65	65
DNd	[mm]	50	50	50
a	[mm]	100	100	100
h2	[mm]	225	225	225
L	[mm]	841	876	876
l1	[mm]	1000	1000	1000
l2	[mm]	170	170	170
l3	[mm]	660	660	660
b1	[mm]	340	340	340
b2	[mm]	450	450	450
b3	[mm]	400	400	400
d	[mm]	24	24	24
a2	[mm]	75	75	75
h	[mm]	80	80	80
h3	[mm]	260	260	260
h4	[mm]	412	424	424
Base frame no.		4	4	4
Net Weight	[kg]	111	115	118
Gross Weight	[kg]	179	183	186
Volume	[m³]	0.529	0.529	0.529

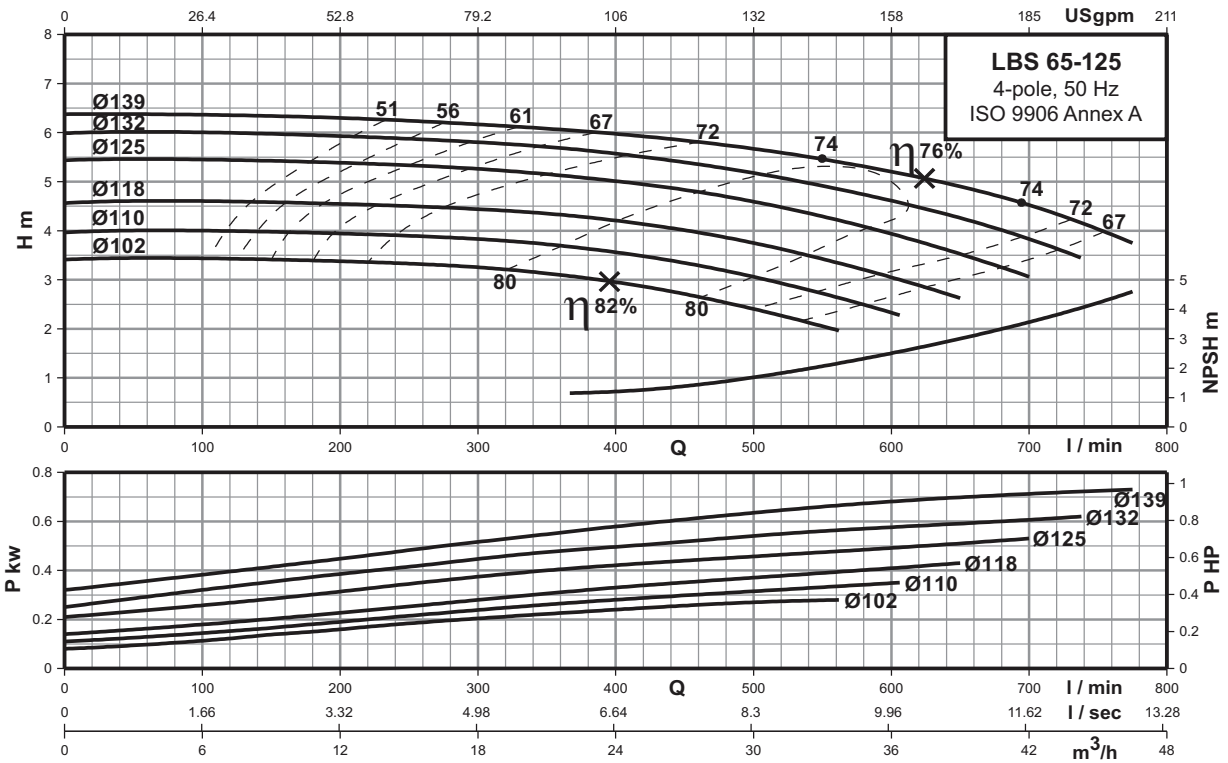
4 POLE

Performance curves

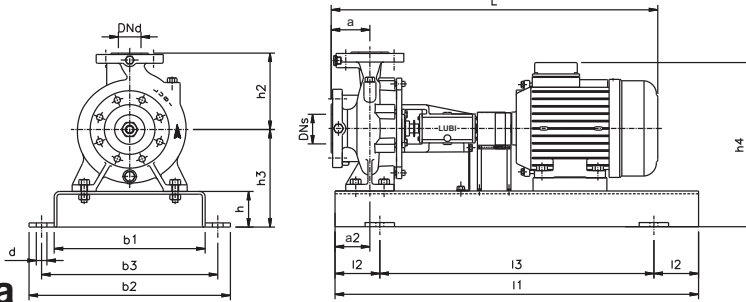
LBS 65-125

Single-stage bare shaft end-suction pumps

4-pole



4 POLE



Technical data

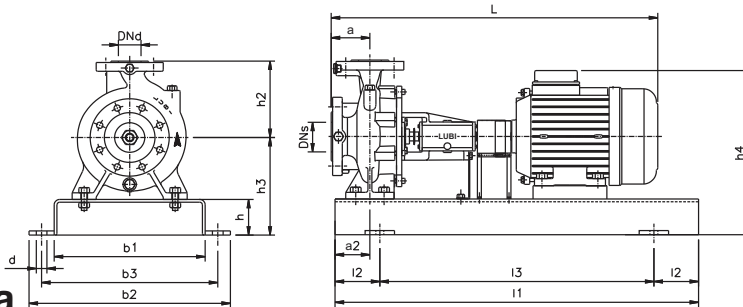
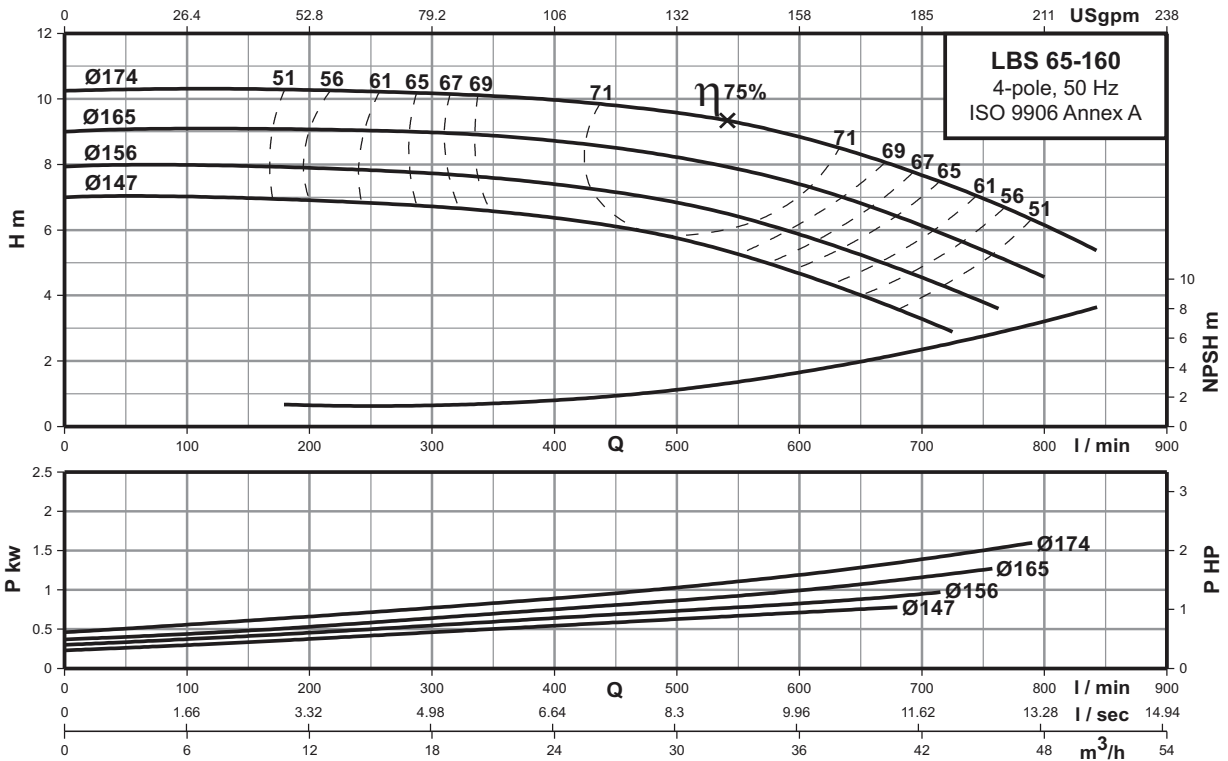
Power	[kw]	0.37	0.55	0.75
	[hp]	0.5	0.75	1
Frame		71L	80L	80L
PN	[bar]	16	16	16
DNs	[mm]	80	80	80
DNd	[mm]	65	65	65
a	[mm]	100	100	100
h2	[mm]	180	180	180
L	[mm]	719	742	742
i1	[mm]	900	900	900
i2	[mm]	150	150	150
i3	[mm]	600	600	600
b1	[mm]	300	300	300
b2	[mm]	390	390	390
b3	[mm]	350	350	350
d	[mm]	19	19	19
a2	[mm]	75	75	75
h	[mm]	65	65	65
h3	[mm]	225	225	225
h4	[mm]	331	343	343
Base frame no.		3	3	3
Net Weight	[kg]	62	63	64
Gross Weight	[kg]	72	73	74
Volume	[m ³]	0.217	0.217	0.217

Performance curves

LBS 65-160

Single-stage bare shaft end-suction pumps

4-pole



Technical data

Power	[kw]	0.75	1.1	1.5
	[hp]	1	1.5	2
Frame		80L	90S	90L
PN	[bar]	16	16	16
DNs	[mm]	80	80	80
DNd	[mm]	65	65	65
a	[mm]	100	100	100
h2	[mm]	200	200	200
L	[mm]	742	786	800
i1	[mm]	900	900	900
i2	[mm]	150	150	150
i3	[mm]	600	600	600
b1	[mm]	300	300	300
b2	[mm]	390	390	390
b3	[mm]	350	350	350
d	[mm]	19	19	19
a2	[mm]	75	75	75
h	[mm]	65	65	65
h3	[mm]	225	225	225
h4	[mm]	343	314	351
Base frame no.		3	3	3
Net Weight	[kg]	70	75	77
Gross Weight	[kg]	80	85	87
Volume	[m³]	0.217	0.217	0.217

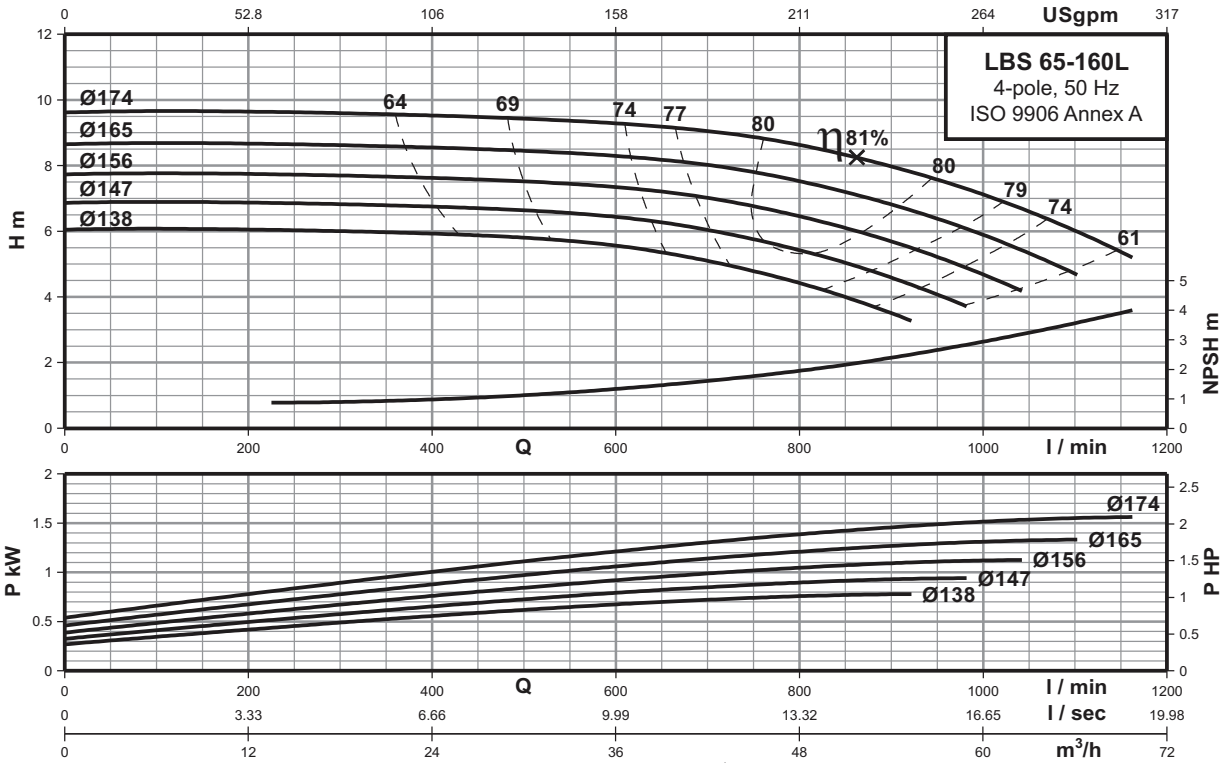
4 POLE

Performance curves

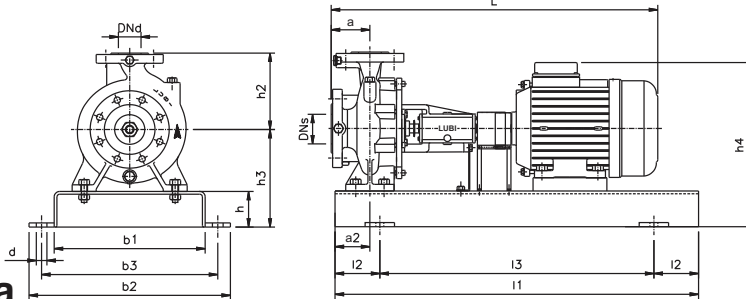
LBS 65-160L

Single-stage bare shaft end-suction pumps

4-pole



4 POLE



Technical data

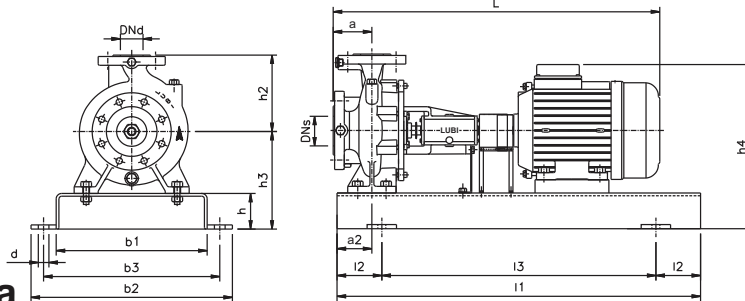
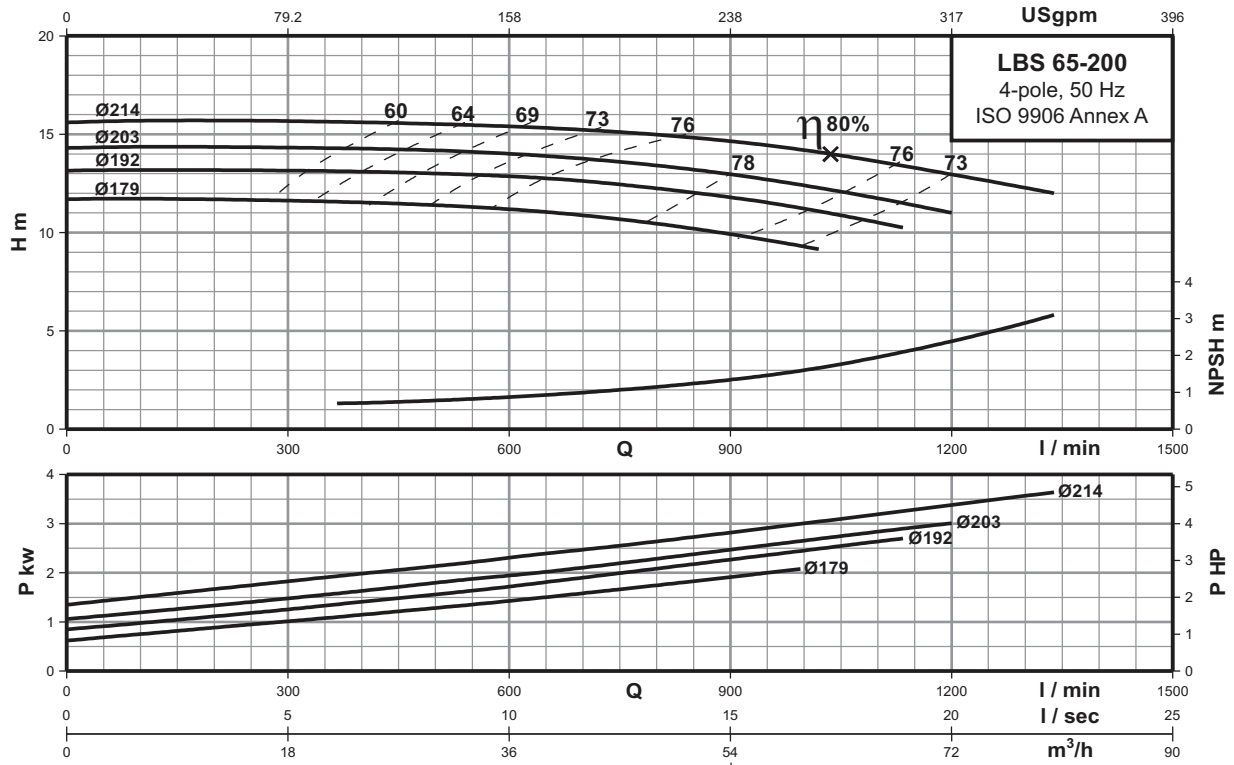
Power	[kw]	0.75	1.1	1.5
	[hp]	1	1.5	2
Frame		80L	90S	90L
PN	[bar]	16	16	16
DNs	[mm]	80	80	80
DNd	[mm]	65	65	65
a	[mm]	100	100	100
h2	[mm]	200	200	200
L	[mm]	742	786	800
i1	[mm]	900	900	900
i2	[mm]	150	150	150
i3	[mm]	600	600	600
b1	[mm]	300	300	300
b2	[mm]	390	390	390
b3	[mm]	350	350	350
d	[mm]	19	19	19
a2	[mm]	75	75	75
h	[mm]	65	65	65
h3	[mm]	225	225	225
h4	[mm]	343	314	351
Base frame no.		3	3	3
Net Weight	[kg]	70	75	77
Gross Weight	[kg]	80	85	87
Volume	[m³]	0.217	0.217	0.217

Performance curves

LBS 65-200

Single-stage bare shaft end-suction pumps

4-pole



Technical data

Power	[kw]	2.2	3	4
	[hp]	3	4	5.5
Frame		100L	112M	112M
PN	[bar]	16	16	16
DNs	[mm]	80	80	80
DNd	[mm]	65	65	65
a	[mm]	100	100	100
h2	[mm]	225	225	225
L	[mm]	841	876	876
l1	[mm]	1120	1120	1120
l2	[mm]	190	190	190
l3	[mm]	740	740	740
b1	[mm]	380	380	380
b2	[mm]	490	490	490
b3	[mm]	440	440	440
d	[mm]	24	24	24
a2	[mm]	75	75	75
h	[mm]	80	80	80
h3	[mm]	260	260	260
h4	[mm]	412	424	424
Base frame no.		5	5	5
Net Weight	[kg]	115	119	122
Gross Weight	[kg]	188	192	195
Volume	[m ³]	0.596	0.596	0.596

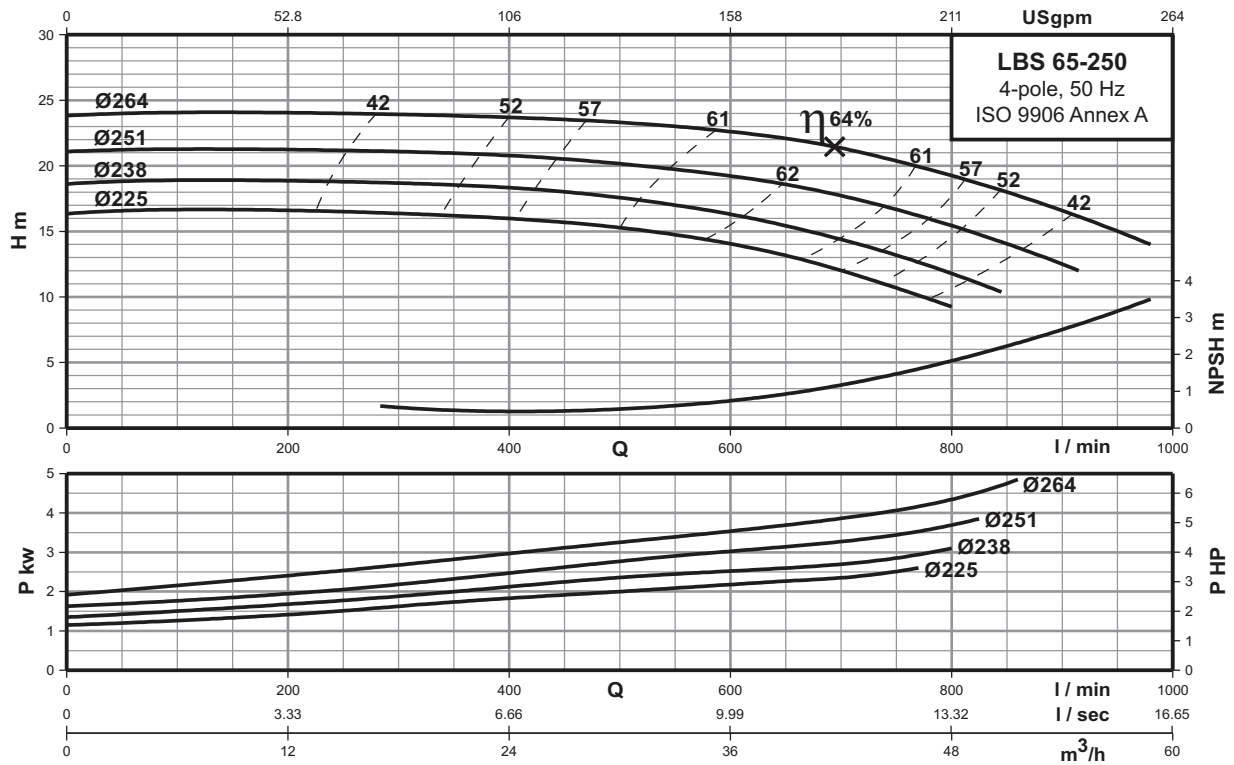
4 POLE

Performance curves

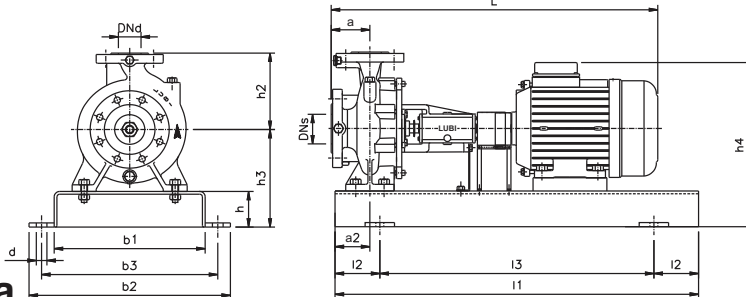
LBS 65-250

Single-stage bare shaft end-suction pumps

4-pole



4 POLE



Technical data

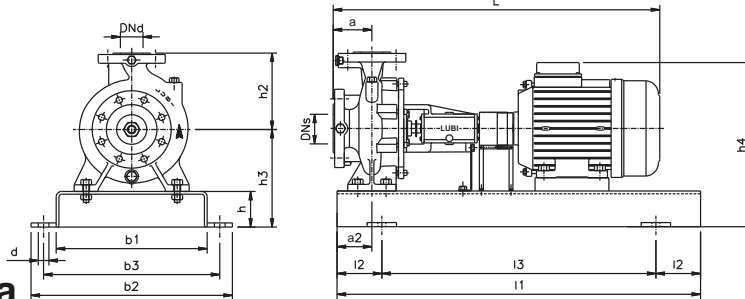
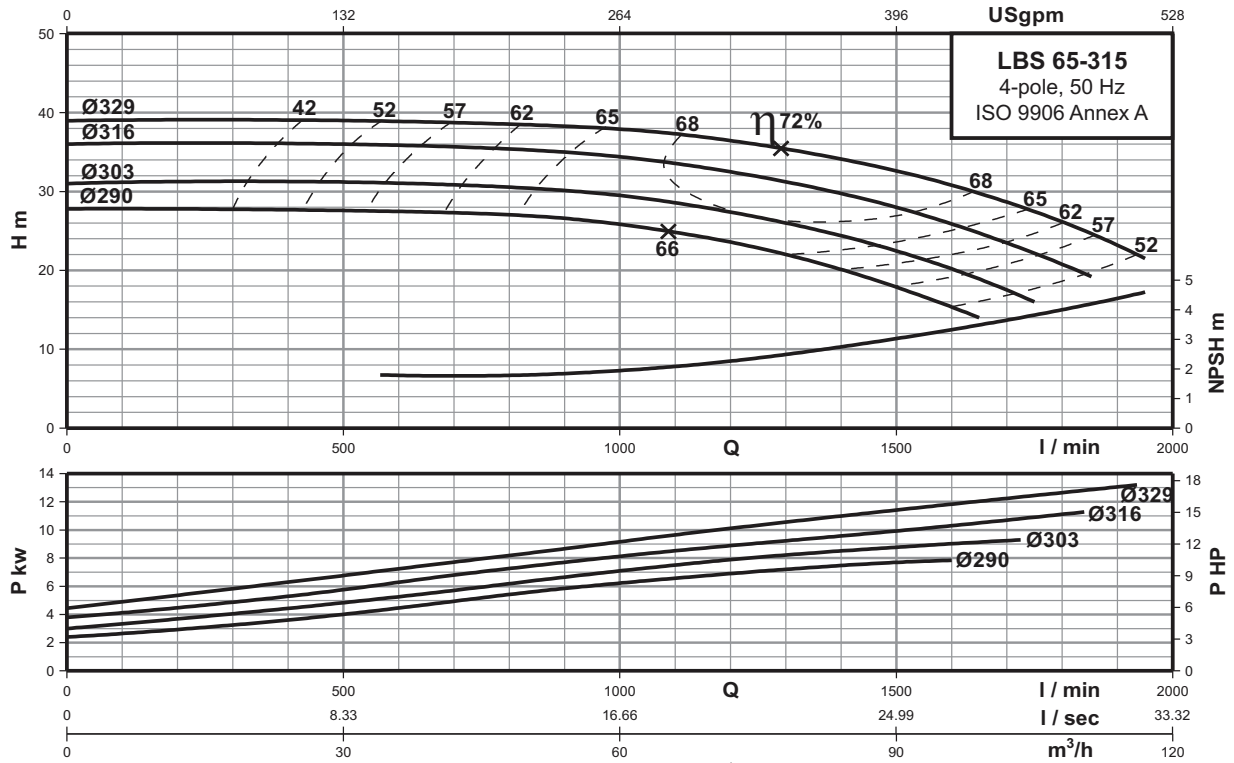
Power	[kw]	2.2	3	4	5.5
	[hp]	3	4	5.5	7.5
Frame		100L	112M	112M	132S
PN	[bar]	16	16	16	16
DNs	[mm]	80	80	80	80
DNd	[mm]	65	65	65	65
a	[mm]	100	100	100	100
h2	[mm]	250	250	250	250
L	[mm]	956	986	986	1051
l1	[mm]	1120	1120	1120	1120
l2	[mm]	190	190	190	190
l3	[mm]	740	740	740	740
b1	[mm]	380	380	380	380
b2	[mm]	490	490	490	490
b3	[mm]	440	440	440	440
d	[mm]	24	24	24	24
a2	[mm]	90	90	90	90
h	[mm]	80	80	80	80
h3	[mm]	280	280	280	280
h4	[mm]	432	444	444	484
Base frame no.		5	5	5	5
Net Weight	[kg]	139	143	146	172
Gross Weight	[kg]	218	222	225	251
Volume	[m ³]	0.660	0.660	0.660	0.660

Performance curves

LBS 65-315

Single-stage bare shaft end-suction pumps

4-pole



Technical data

Power	[kw]	7.5	9.3	11	15
	[hp]	10	12.5	15	20
Frame		132M	160M	160M	160L
PN	[bar]	16	16	16	16
DNs	[mm]	80	80	80	80
DNd	[mm]	65	65	65	65
a	[mm]	125	125	125	125
h2	[mm]	280	280	280	280
L	[mm]	1114	1214	1217	1259
l1	[mm]	1250	1250	1250	1400
l2	[mm]	205	205	205	230
l3	[mm]	840	840	840	940
b1	[mm]	430	430	430	480
b2	[mm]	540	540	540	610
b3	[mm]	490	490	490	550
d	[mm]	24	24	24	28
a2	[mm]	90	90	90	90
h	[mm]	80	80	80	100
h3	[mm]	305	305	305	305
h4	[mm]	509	548	548	548
Base frame no.		6	6	6	7
Net Weight	[kg]	212	236	246	296
Gross Weight	[kg]	303	327	337	396
Volume	[m³]	0.821	0.821	0.821	0.953

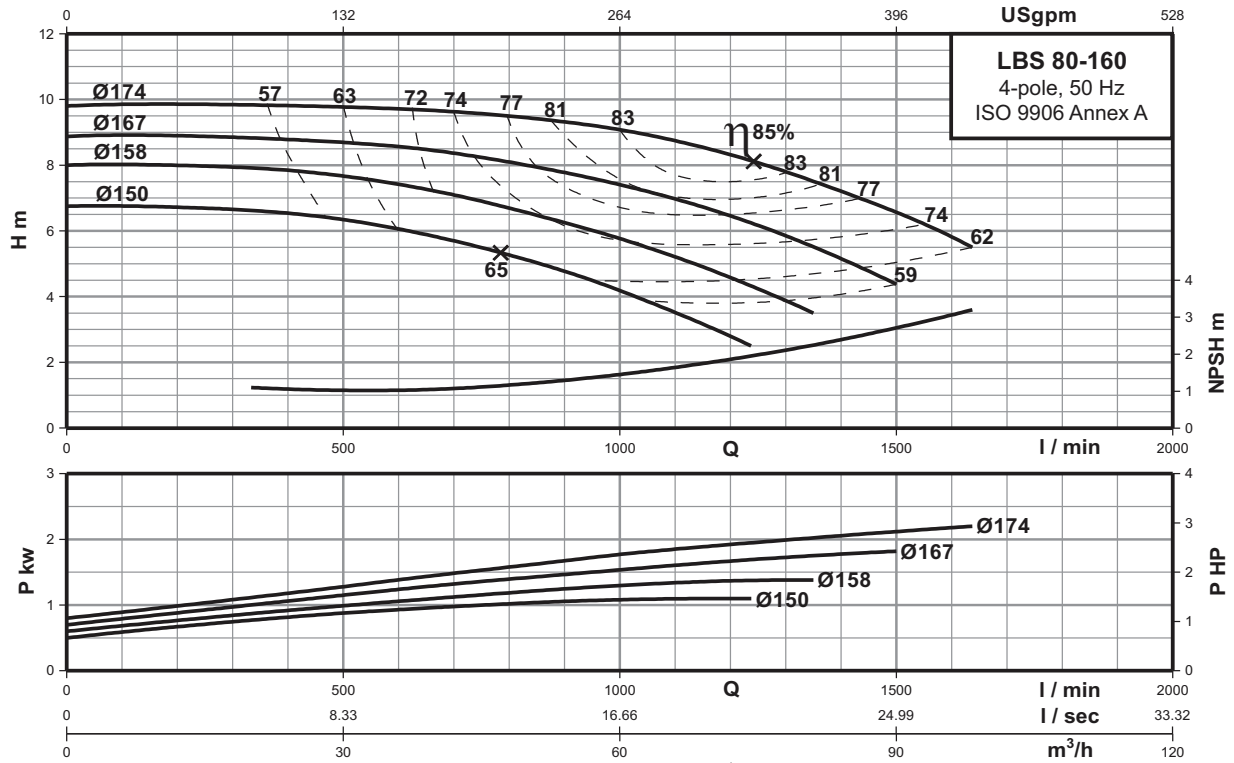
4 POLE

Performance curves

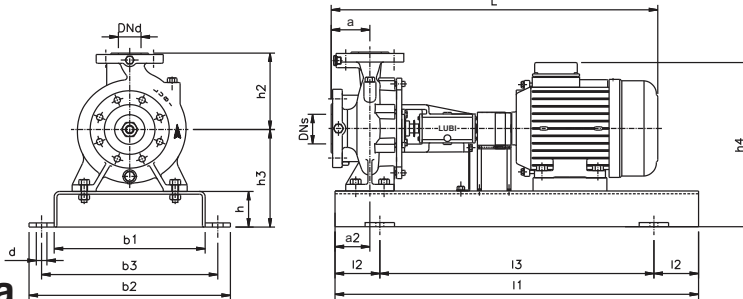
LBS 80-160

Single-stage bare shaft end-suction pumps

4-pole



4 POLE



Technical data

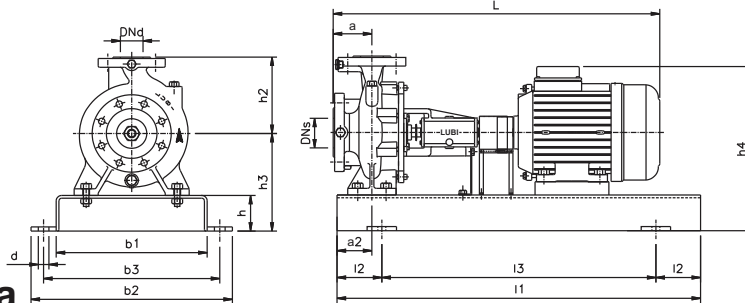
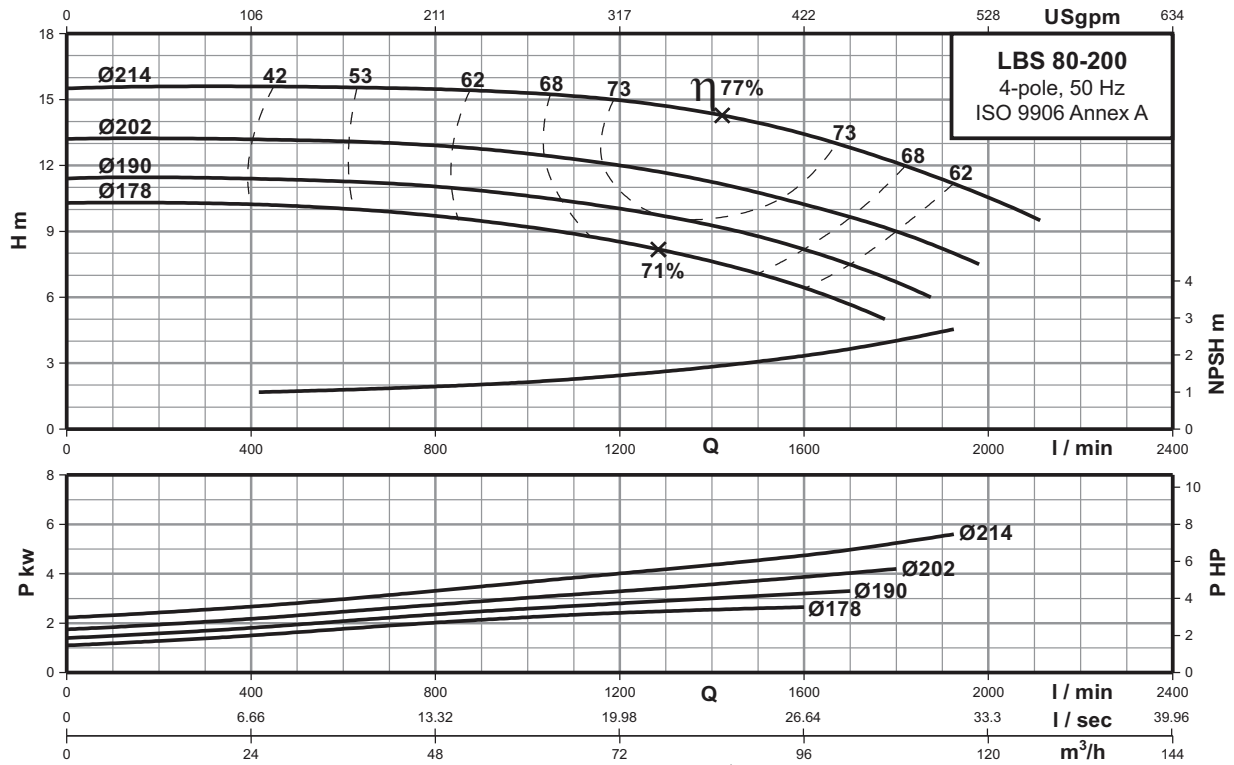
Power	[kw]	1.1	1.5	2.2
	[hp]	1.5	2	3
Frame		90S	90L	100L
PN	[bar]	16	16	16
DNs	[mm]	100	100	100
DNd	[mm]	80	80	80
a	[mm]	125	125	125
h2	[mm]	225	225	225
L	[mm]	811	825	866
i1	[mm]	1000	1000	1000
i2	[mm]	170	170	170
i3	[mm]	660	660	660
b1	[mm]	340	340	340
b2	[mm]	450	450	450
b3	[mm]	400	400	400
d	[mm]	24	24	24
a2	[mm]	75	75	75
h	[mm]	80	80	80
h3	[mm]	260	260	260
h4	[mm]	349	386	412
Base frame no.		4	4	4
Net Weight	[kg]	90	92	110
Gross Weight	[kg]	158	160	178
Volume	[m ³]	0.529	0.529	0.529

Performance curves

LBS 80-200

Single-stage bare shaft end-suction pumps

4-pole



Technical data

Power	[kw]	2.2	3	4	5.5
	[hp]	3	4	5.5	7.5
Frame		100L	112M	112M	132S
PN	[bar]	16	16	16	16
DNs	[mm]	100	100	100	100
DNd	[mm]	80	80	80	80
a	[mm]	125	125	125	125
h2	[mm]	250	250	250	250
L	[mm]	981	1011	1011	1076
i1	[mm]	1120	1120	1120	1120
i2	[mm]	190	190	190	190
i3	[mm]	740	740	740	740
b1	[mm]	380	380	380	380
b2	[mm]	490	490	490	490
b3	[mm]	440	440	440	440
d	[mm]	24	24	24	24
a2	[mm]	75	75	75	75
h	[mm]	80	80	80	80
h3	[mm]	260	260	260	260
h4	[mm]	412	424	424	464
Base frame no.		5	5	5	5
Net Weight	[kg]	131	135	138	164
Gross Weight	[kg]	210	214	217	243
Volume	[m³]	0.660	0.660	0.660	0.660

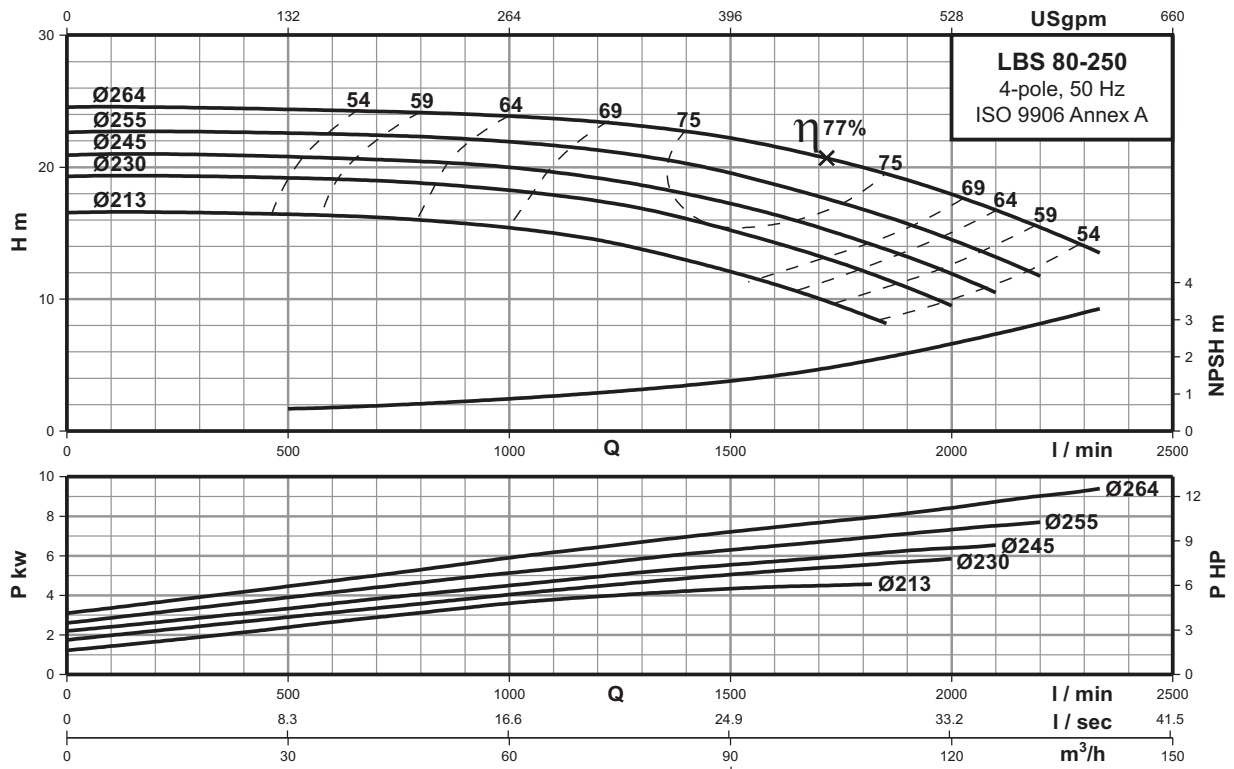
4 POLE

Performance curves

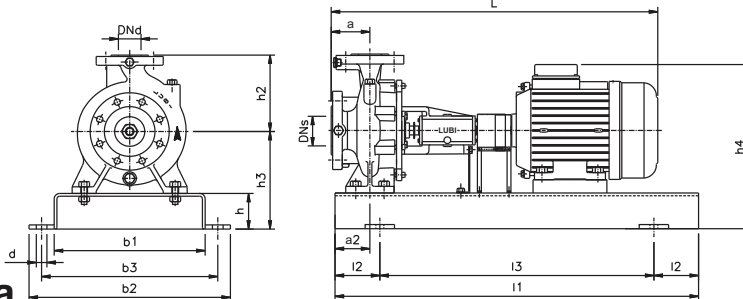
LBS 80-250

Single-stage bare shaft end-suction pumps

4-pole



4 POLE



Technical data

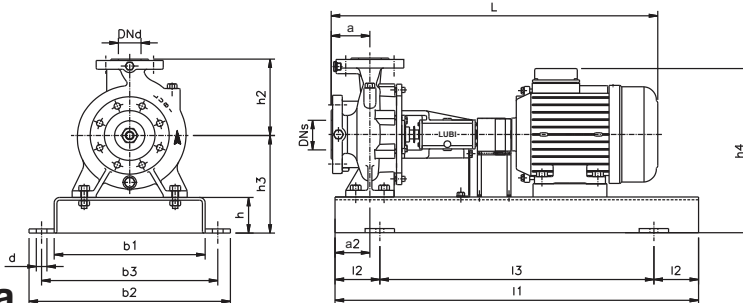
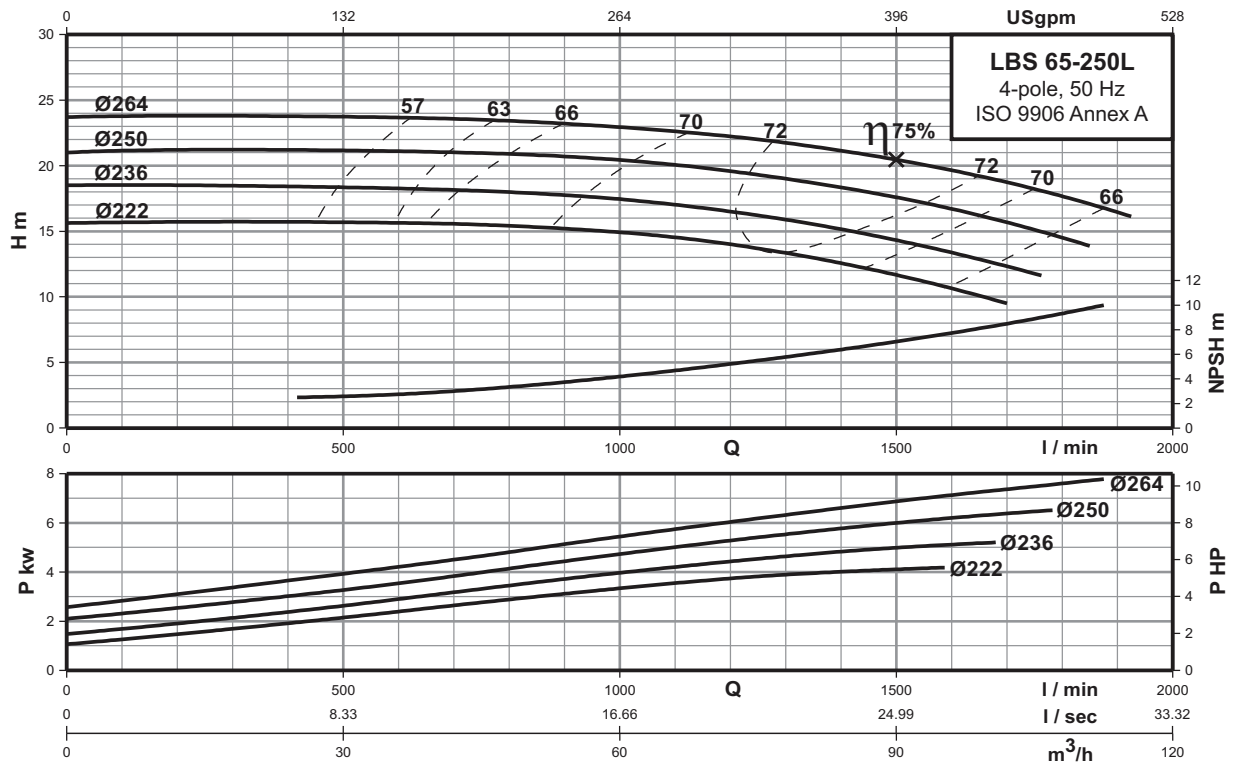
Power	[kw]	5.5	7.5	9.3
	[hp]	7.5	10	12.5
Frame		132S	132M	160M
PN	[bar]	16	16	16
DNs	[mm]	100	100	100
DNd	[mm]	80	80	80
a	[mm]	125	125	125
h2	[mm]	280	280	280
L	[mm]	1076	1114	1214
l1	[mm]	1250	1250	1250
l2	[mm]	205	205	205
l3	[mm]	840	840	840
b1	[mm]	430	430	430
b2	[mm]	540	540	540
b3	[mm]	490	490	490
d	[mm]	24	24	24
a2	[mm]	90	90	90
h	[mm]	80	80	80
h3	[mm]	280	280	280
h4	[mm]	484	484	523
Base frame no.		6	6	6
Net Weight	[kg]	184	200	224
Gross Weight	[kg]	275	291	315
Volume	[m³]	0.821	0.821	0.821

Performance curves

LBS 65-250L

Single-stage bare shaft end-suction pumps

4-pole



Technical data

Power	[kw]	4	5.5	7.5
	[hp]	5.5	7.5	10
Frame		112M	132S	132M
PN	[bar]	16	16	16
DNs	[mm]	100	100	100
DNd	[mm]	65	65	65
a	[mm]	100	100	100
h2	[mm]	250	250	250
L	[mm]	986	1051	1089
i1	[mm]	1120	1120	1120
i2	[mm]	190	190	190
i3	[mm]	740	740	740
b1	[mm]	380	380	380
b2	[mm]	490	490	490
b3	[mm]	440	440	440
d	[mm]	24	24	24
a2	[mm]	90	90	90
h	[mm]	80	80	80
h3	[mm]	280	280	280
h4	[mm]	444	484	484
Base frame no.		5	5	5
Net Weight	[kg]	146	172	188
Gross Weight	[kg]	225	251	267
Volume	[m ³]	0.660	0.660	0.660

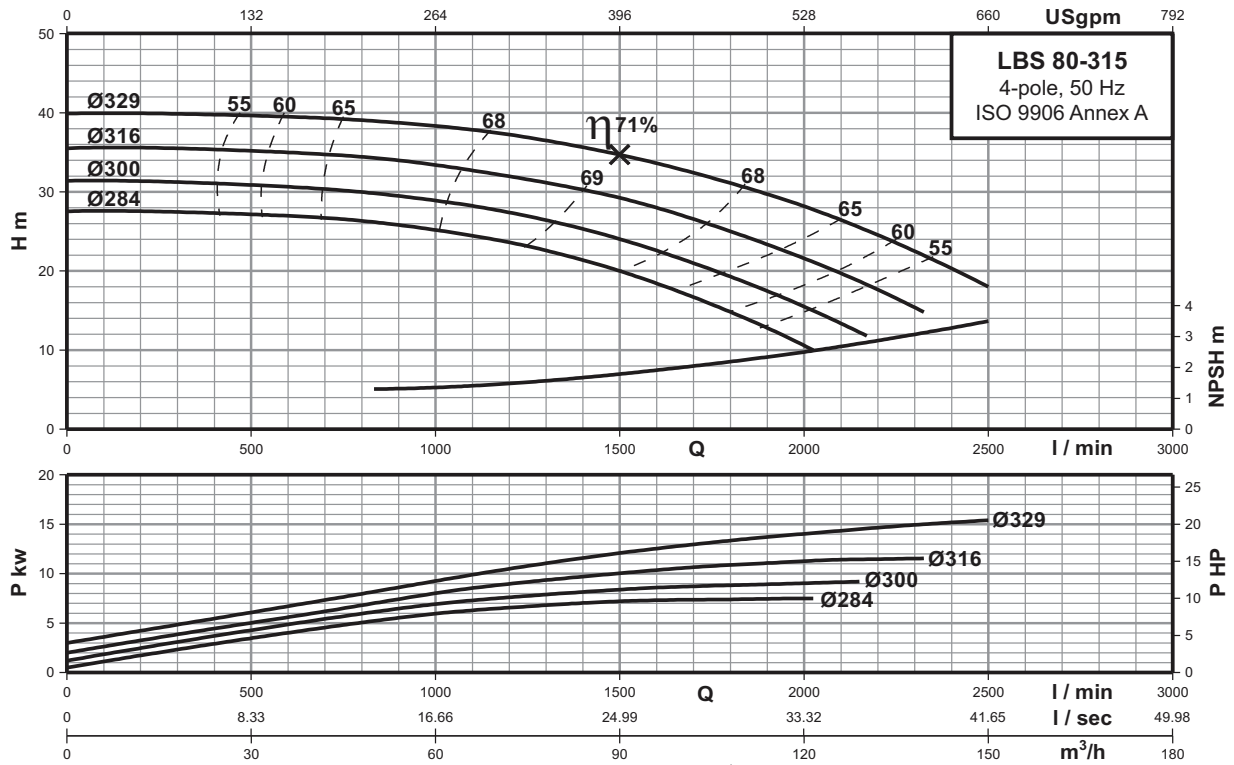
4 POLE

Performance curves

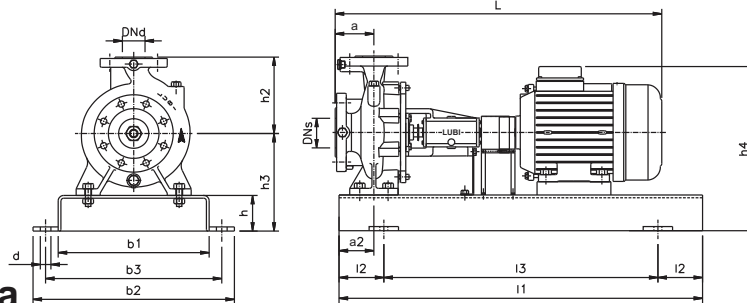
LBS 80-315

Single-stage bare shaft end-suction pumps

4-pole



4 POLE



Technical data

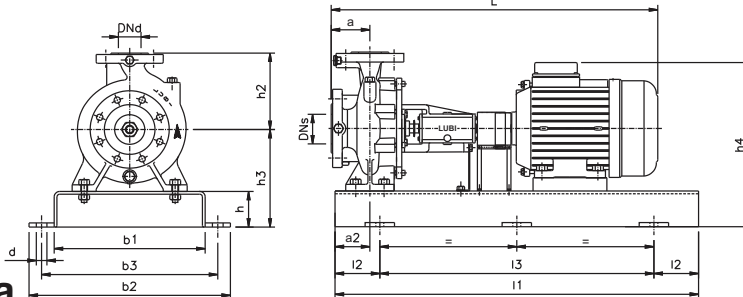
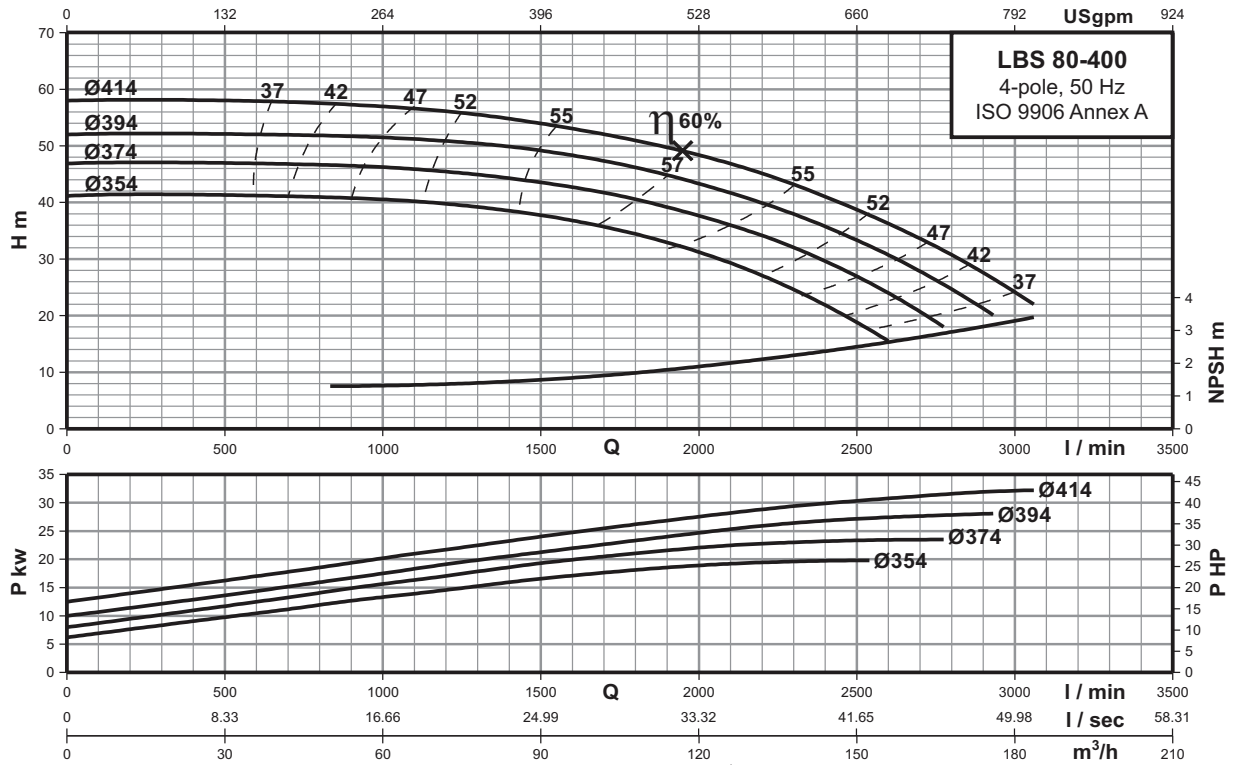
Power	[kw]	7.5	9.3	11	15
	[hp]	10	12.5	15	20
Frame		132M	160M	160M	160L
PN	[bar]	16	16	16	16
DNs	[mm]	100	100	100	100
DNd	[mm]	80	80	80	80
a	[mm]	125	125	125	125
h2	[mm]	315	315	315	315
L	[mm]	1114	1214	1217	1259
i1	[mm]	1250	1250	1250	1400
i2	[mm]	205	205	205	230
i3	[mm]	840	840	840	940
b1	[mm]	430	430	430	480
b2	[mm]	540	540	540	610
b3	[mm]	490	490	490	550
d	[mm]	24	24	24	28
a2	[mm]	90	90	90	90
h	[mm]	80	80	80	100
h3	[mm]	330	330	330	330
h4	[mm]	534	573	573	573
Base frame no.		6	6	6	7
Net Weight	[kg]	213	237	248	298
Gross Weight	[kg]	309	333	344	398
Volume	[m³]	0.898	0.898	0.898	0.953

Performance curves

LBS 80-400

Single-stage bare shaft end-suction pumps

4-pole



Technical data

Power	[kw]	18.5	22	30	37
	[hp]	25	30	40	50
Frame		180M	180L	200L	225S
PN	[bar]	16	16	16	16
DNs	[mm]	100	100	100	100
DNd	[mm]	80	80	80	80
a	[mm]	140	140	140	140
h2	[mm]	355	355	355	355
L	[mm]	1387	1426	1473	1515
l1	[mm]	1600	1600	1600	1600
l2	[mm]	270	270	270	270
l3	[mm]	1060	1060	1060	1060
b1	[mm]	530	530	530	530
b2	[mm]	660	660	660	660
b3	[mm]	600	600	600	600
d	[mm]	28	28	28	28
a2	[mm]	110	110	110	110
h	[mm]	100	100	100	100
h3	[mm]	380	380	380	380
h4	[mm]	674	674	686	708
Base frame no.		8	8	8	8
Net Weight	[kg]	432	448	497	545
Gross Weight	[kg]	563	579	628	676
Volume	[m³]	1.452	1.452	1.452	1.452

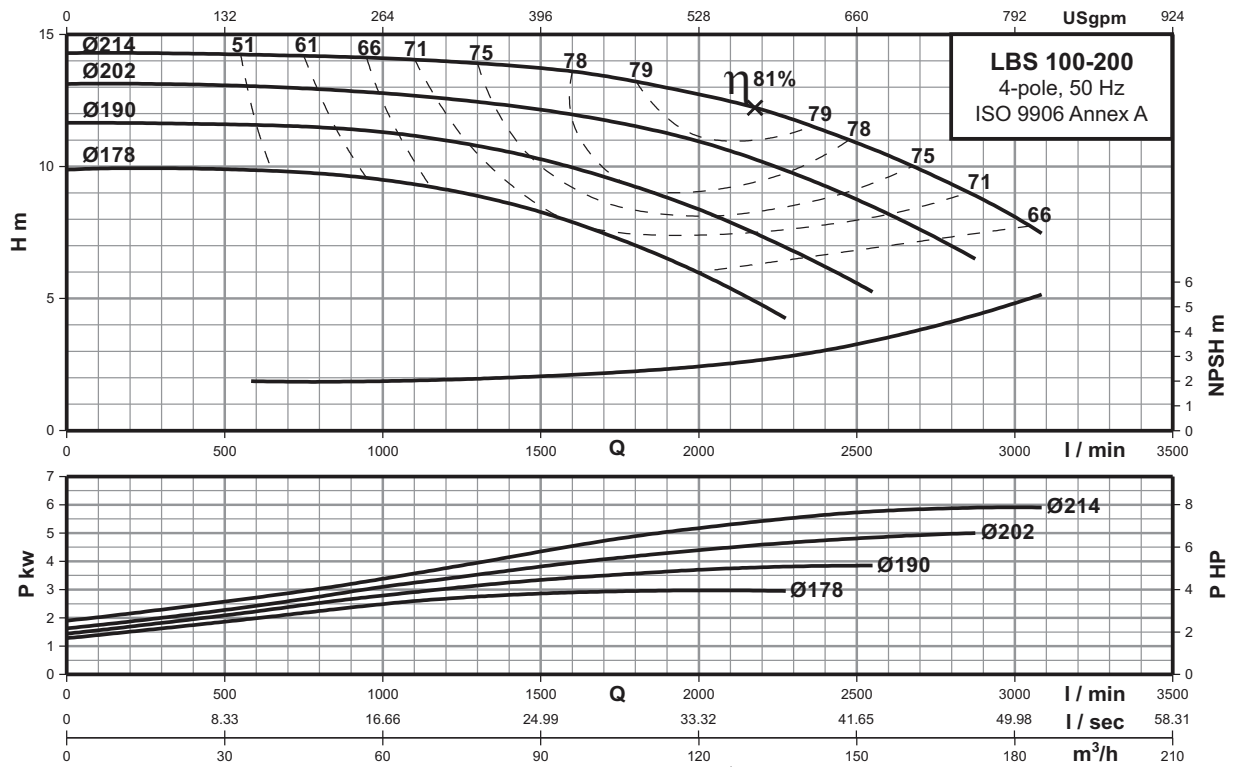
4 POLE

Performance curves

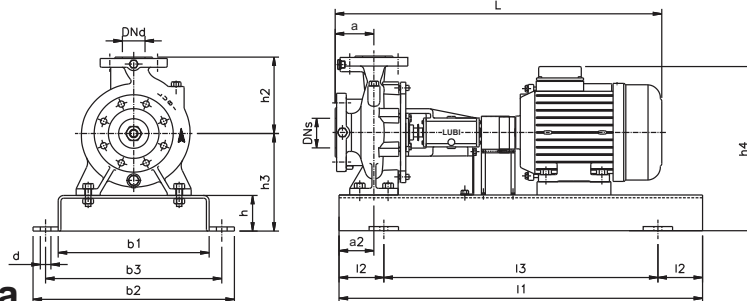
LBS 100-200

Single-stage bare shaft end-suction pumps

4-pole



4 POLE



Technical data

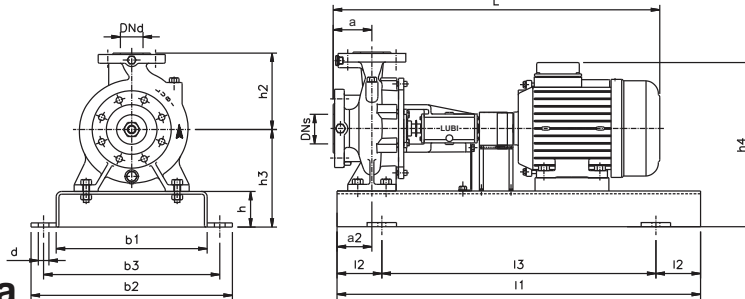
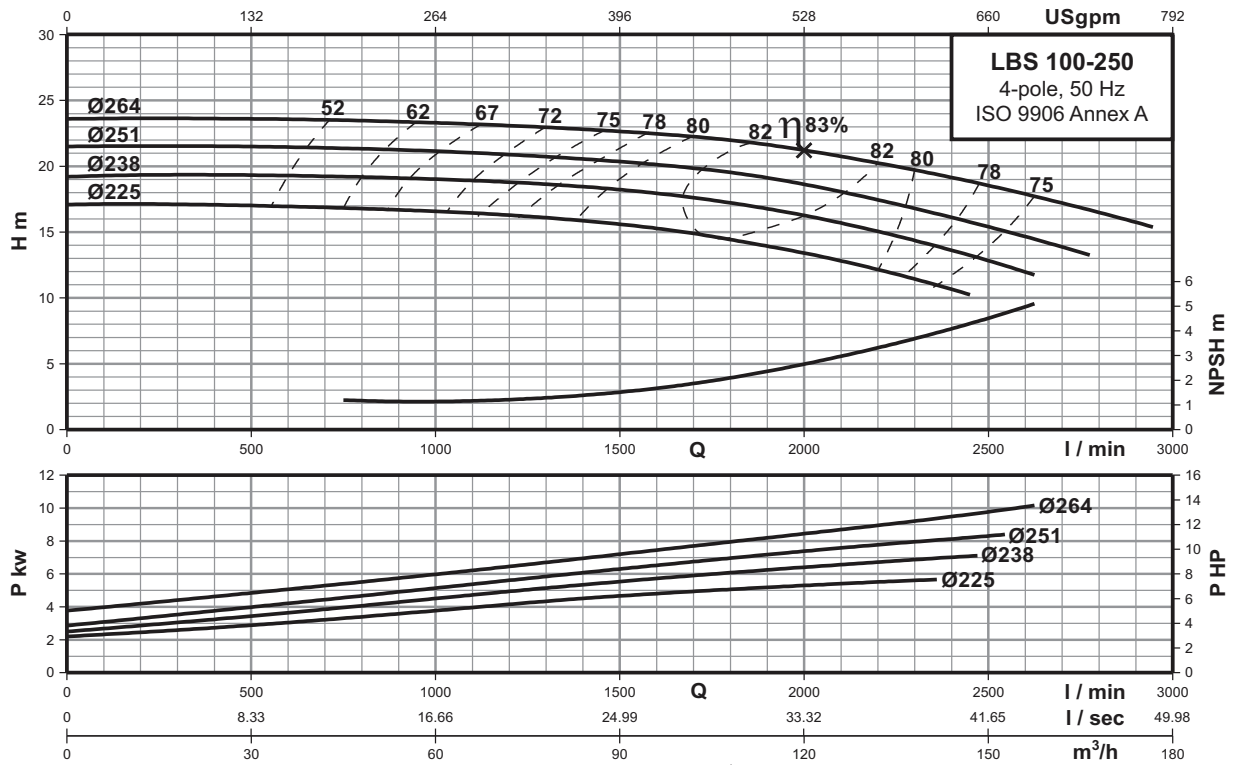
Power	[kw]	3	4	5.5
	[hp]	4	5.5	7.5
Frame		112M	112M	132S
PN	[bar]	16	16	16
DNs	[mm]	125	125	125
DNd	[mm]	100	100	100
a	[mm]	125	125	125
h2	[mm]	280	280	280
L	[mm]	1011	1011	1076
l1	[mm]	1120	1120	1120
l2	[mm]	190	190	190
l3	[mm]	740	740	740
b1	[mm]	380	380	380
b2	[mm]	490	490	490
b3	[mm]	440	440	440
d	[mm]	24	24	24
a2	[mm]	90	90	90
h	[mm]	80	80	80
h3	[mm]	280	280	280
h4	[mm]	444	444	484
Base frame no.		5	5	5
Net Weight	[kg]	146	149	175
Gross Weight	[kg]	225	228	254
Volume	[m³]	0.660	0.660	0.660

Performance curves

LBS 100-250

Single-stage bare shaft end-suction pumps

4-pole



Technical data

Power	[kw]	5.5	7.5	9.3	11
	[hp]	7.5	10	12.5	15
Frame		132S	132M	160M	160M
PN	[bar]	16	16	16	16
DNs	[mm]	125	125	125	125
DNd	[mm]	100	100	100	100
a	[mm]	140	140	140	140
h2	[mm]	280	280	280	280
L	[mm]	1091	1129	1229	1232
i1	[mm]	1250	1250	1250	1250
i2	[mm]	205	205	205	205
i3	[mm]	840	840	840	840
b1	[mm]	430	430	430	430
b2	[mm]	540	540	540	540
b3	[mm]	490	490	490	490
d	[mm]	24	24	24	24
a2	[mm]	90	90	90	90
h	[mm]	80	80	80	80
h3	[mm]	305	305	305	305
h4	[mm]	509	509	548	548
Base frame no.		6	6	6	6
Net Weight	[kg]	192	208	232	243
Gross Weight	[kg]	283	299	323	334
Volume	[m³]	0.821	0.821	0.821	0.821

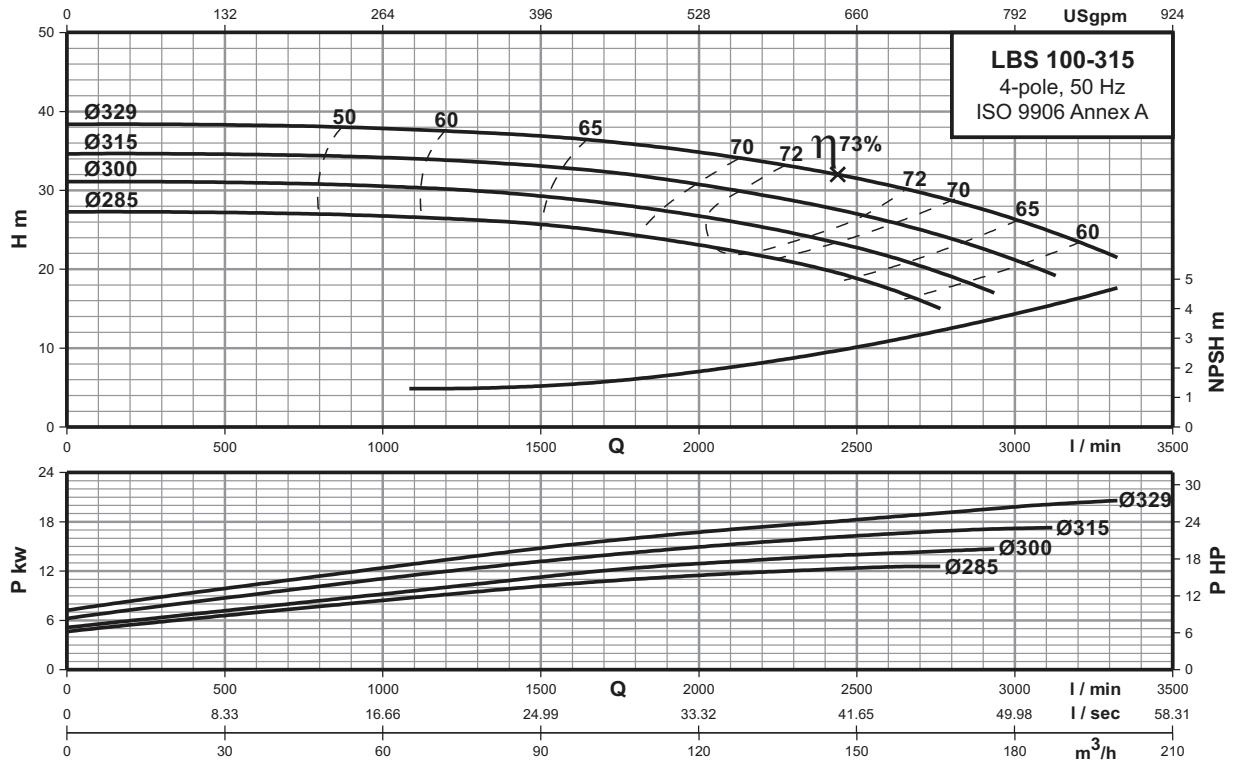
4 POLE

Performance curves

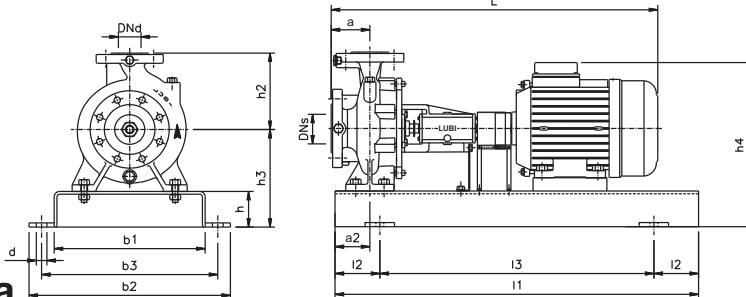
LBS 100-315

Single-stage bare shaft end-suction pumps

4-pole



4 POLE



Technical data

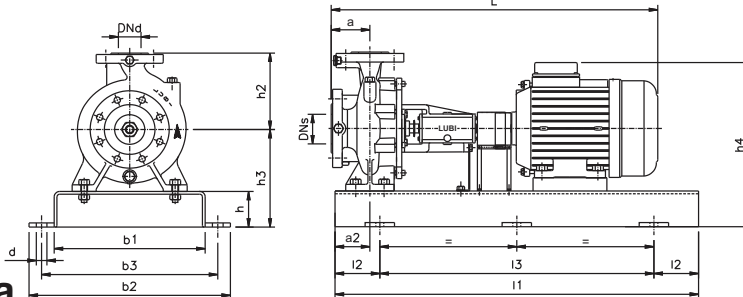
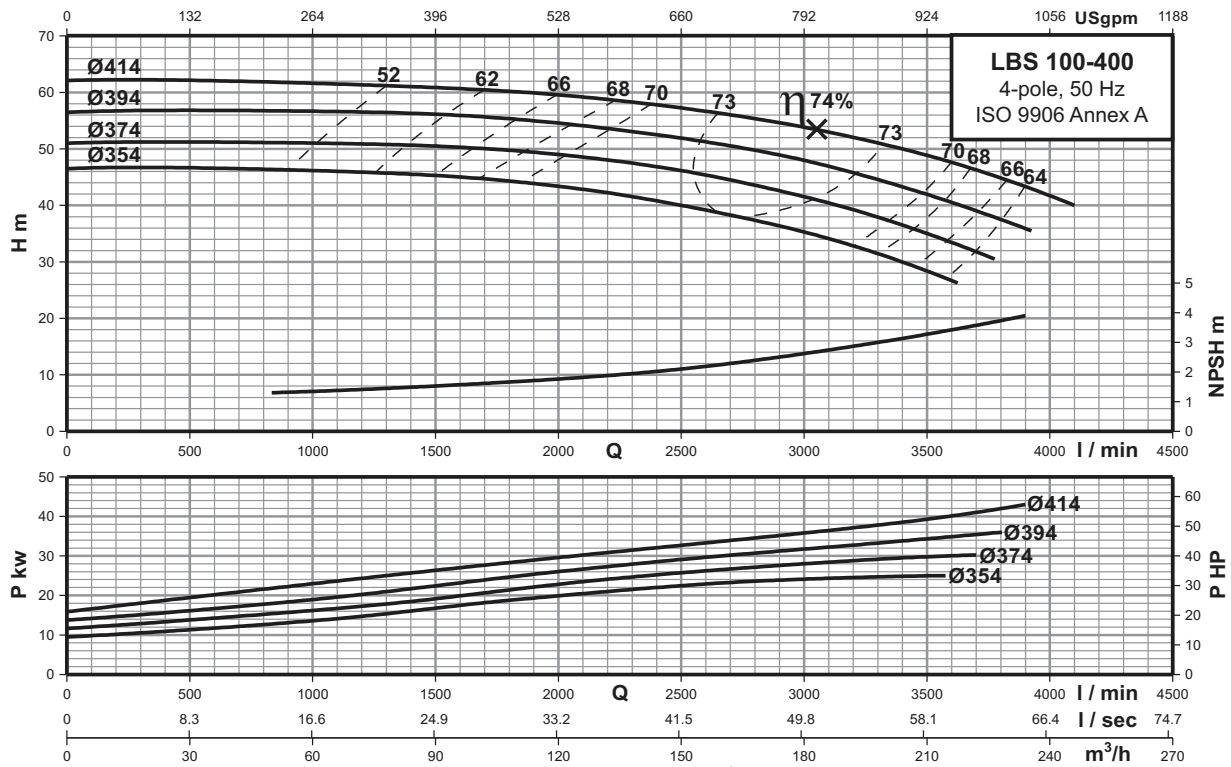
Power	[kw]	11	15	18.5	22
	[hp]	15	20	25	30
Frame		160M	160L	180M	180L
PN	[bar]	16	16	16	16
DNs	[mm]	125	125	125	125
DNd	[mm]	100	100	100	100
a	[mm]	140	140	140	140
h2	[mm]	315	315	315	315
L	[mm]	1232	1274	1327	1366
l1	[mm]	1250	1400	1400	1400
l2	[mm]	205	230	230	230
l3	[mm]	840	940	940	940
b1	[mm]	430	480	480	480
b2	[mm]	540	610	610	610
b3	[mm]	490	550	550	550
d	[mm]	24	28	28	28
a2	[mm]	90	90	90	90
h	[mm]	80	100	100	100
h3	[mm]	330	350	350	350
h4	[mm]	573	593	644	644
Base frame no.		6	7	7	7
Net Weight	[kg]	257	307	378	394
Gross Weight	[kg]	353	417	488	504
Volume	[m³]	0.898	1.101	1.101	1.101

Performance curves

LBS 100-400

Single-stage bare shaft end-suction pumps

4-pole



Technical data

Power	[kw]	22	30	37	45
	[hp]	30	40	50	60
Frame		180L	200L	225S	225M
PN	[bar]	16	16	16	16
DNs	[mm]	125	125	125	125
DNd	[mm]	100	100	100	100
a	[mm]	140	140	140	140
h2	[mm]	355	355	355	355
L	[mm]	1426	1473	1515	1540
i1	[mm]	1600	1600	1600	1600
i2	[mm]	270	270	270	270
i3	[mm]	1060	1060	1060	1060
b1	[mm]	530	530	530	530
b2	[mm]	660	660	660	660
b3	[mm]	600	600	600	600
d	[mm]	28	28	28	28
a2	[mm]	110	110	110	110
h	[mm]	100	100	100	100
h3	[mm]	380	380	380	380
h4	[mm]	674	686	708	708
Base frame no.		8	8	8	8
Net Weight	[kg]	448	497	545	574
Gross Weight	[kg]	579	628	676	705
Volume	[m³]	1.452	1.452	1.452	1.452

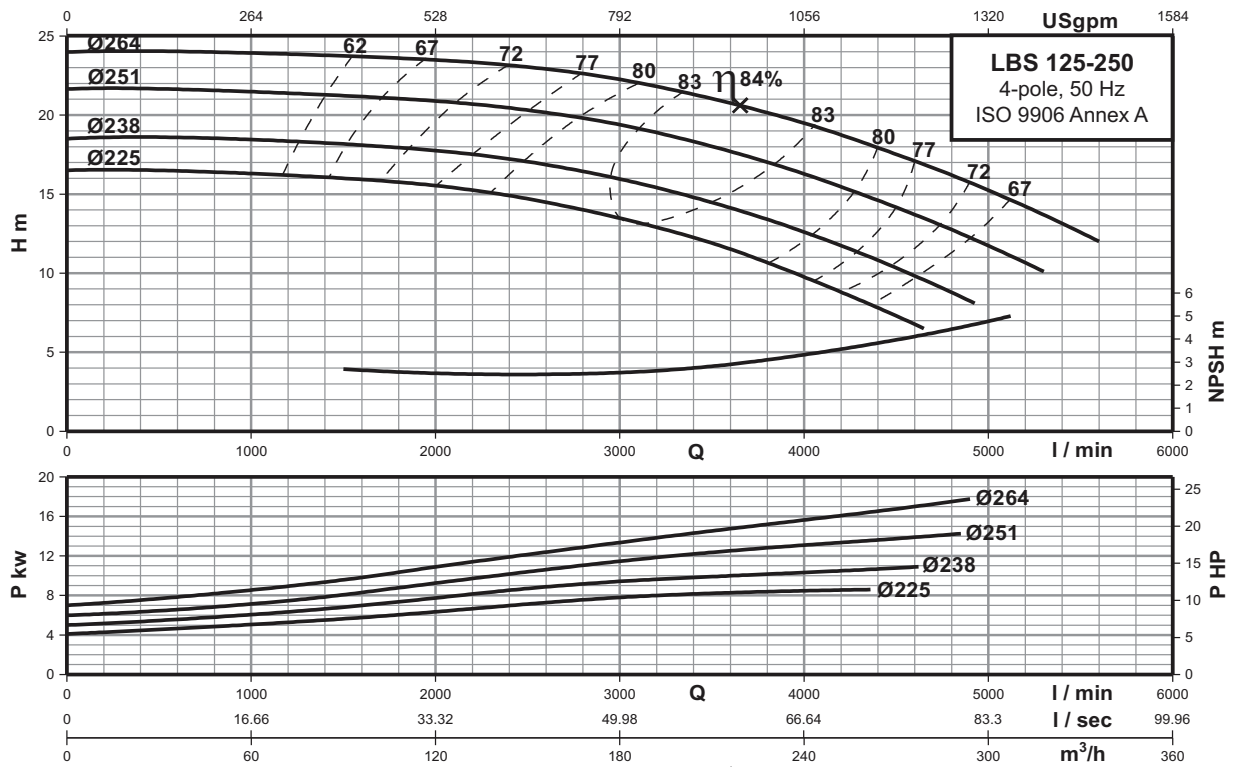
4 POLE

Performance curves

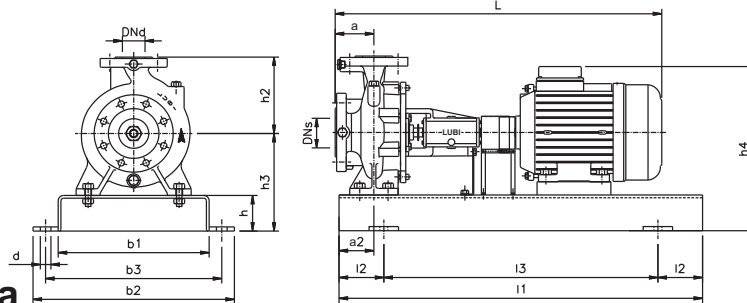
LBS 125-250

Single-stage bare shaft end-suction pumps

4-pole



4 POLE



Technical data

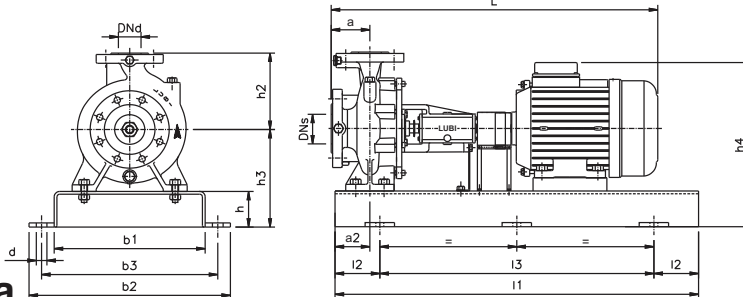
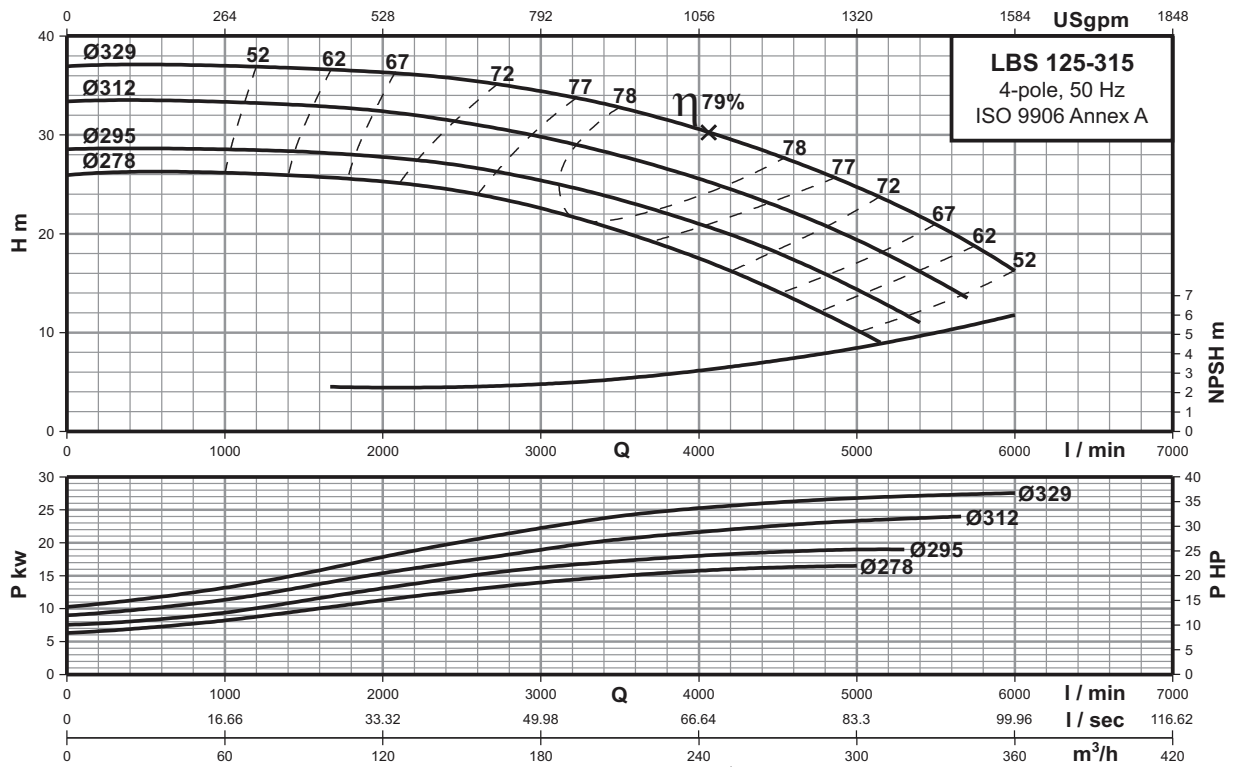
Power	[kw]	9.3	11	15	18.5
	[hp]	12.5	15	20	25
Frame		160M	160M	160L	180M
PN	[bar]	16	16	16	16
DNs	[mm]	150	150	150	150
DNd	[mm]	125	125	125	125
a	[mm]	140	140	140	140
h2	[mm]	355	355	355	355
L	[mm]	1229	1232	1274	1327
i1	[mm]	1250	1250	1400	1400
i2	[mm]	205	205	230	230
i3	[mm]	840	840	940	940
b1	[mm]	430	430	480	480
b2	[mm]	540	540	610	610
b3	[mm]	490	490	550	550
d	[mm]	24	24	28	28
a2	[mm]	90	90	90	90
h	[mm]	80	80	100	100
h3	[mm]	330	330	350	350
h4	[mm]	573	573	593	644
Base frame no.		6	6	7	7
Net Weight	[kg]	259	270	320	391
Gross Weight	[kg]	355	366	434	505
Volume	[m³]	0.898	0.898	1.164	1.164

Performance curves

LBS 125-315

Single-stage bare shaft end-suction pumps

4-pole



Technical data

Power	[kw]	15	18.5	22	30
	[hp]	20	25	30	40
Frame		160L	180M	180L	200L
PN	[bar]	16	16	16	16
DNs	[mm]	150	150	150	150
DNd	[mm]	125	125	125	125
a	[mm]	140	140	140	140
h2	[mm]	355	355	355	355
L	[mm]	1334	1387	1426	1473
l1	[mm]	1600	1600	1600	1600
l2	[mm]	270	270	270	270
l3	[mm]	1060	1060	1060	1060
b1	[mm]	530	530	530	530
b2	[mm]	660	660	660	660
b3	[mm]	600	600	600	600
d	[mm]	28	28	28	28
a2	[mm]	110	110	110	110
h	[mm]	100	100	100	100
h3	[mm]	380	380	380	380
h4	[mm]	623	674	674	686
Base frame no.		8	8	8	8
Net Weight	[kg]	358	429	445	494
Gross Weight	[kg]	489	560	576	625
Volume	[m³]	1.452	1.452	1.452	1.452

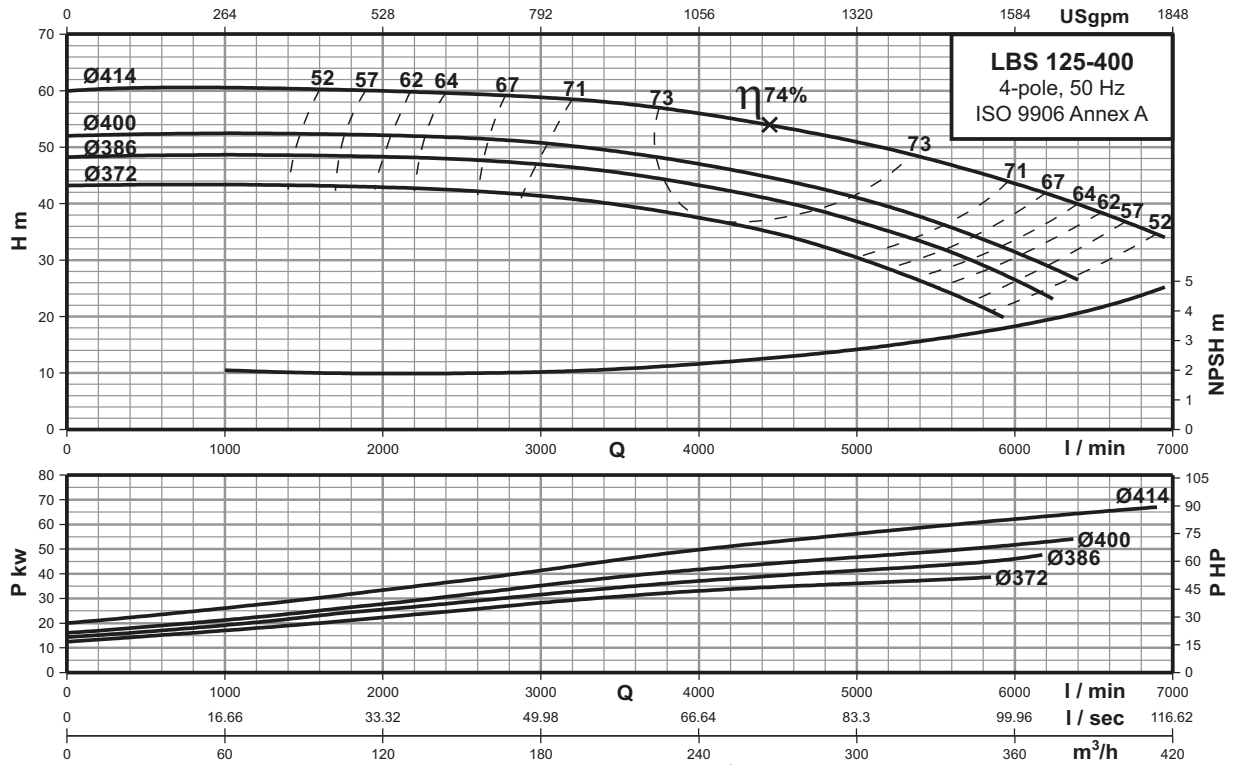
4 POLE

Performance curves

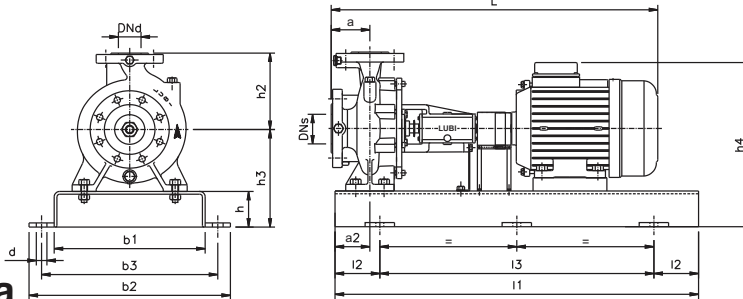
LBS 125-400

Single-stage bare shaft end-suction pumps

4-pole



4 POLE



Technical data

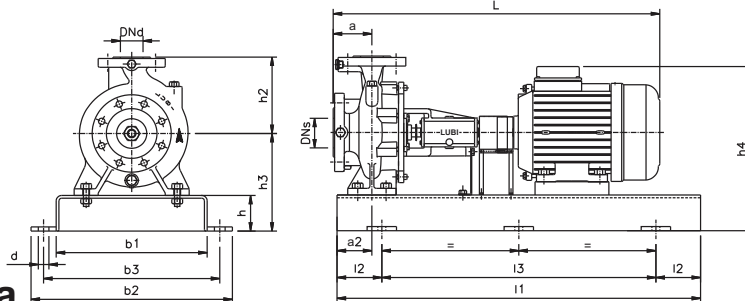
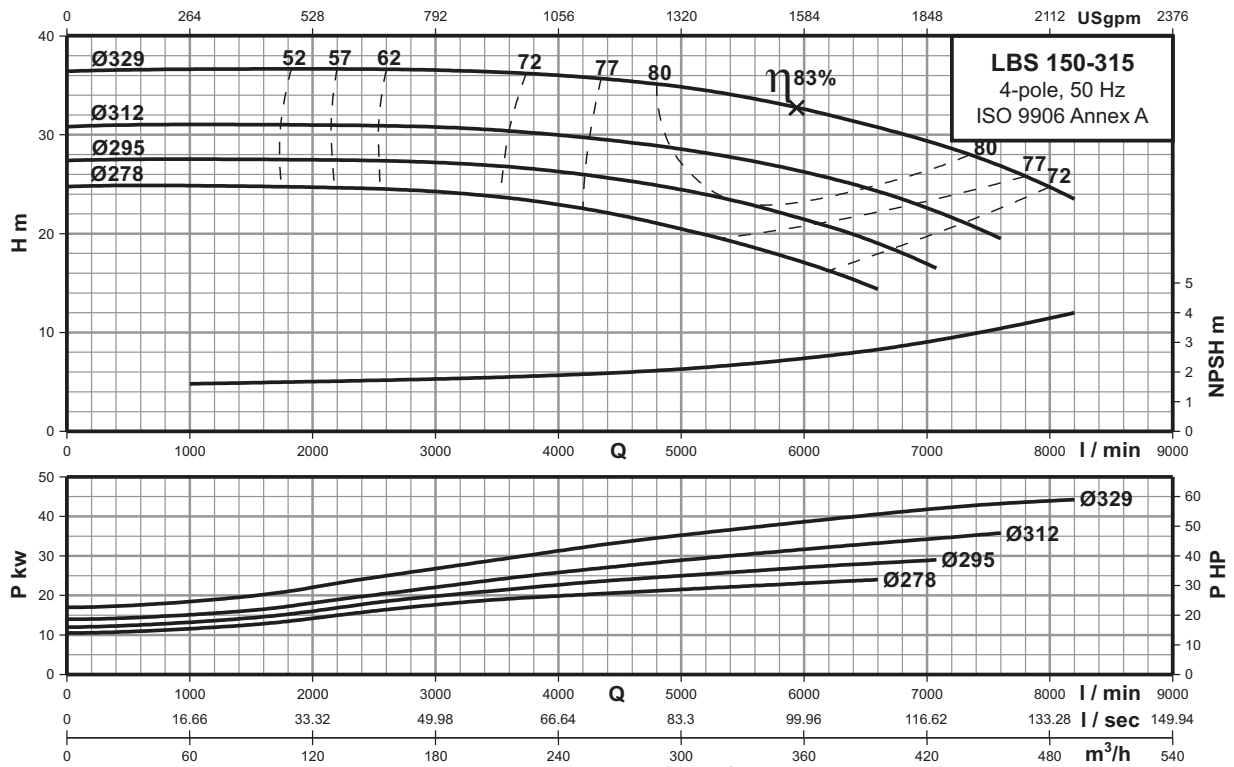
Power	[kw]	37	45	55	75
	[hp]	50	60	75	100
Frame		225S	225M	250M	280S
PN	[bar]	16	16	16	16
DNs	[mm]	150	150	150	150
DNd	[mm]	125	125	125	125
a	[mm]	140	140	140	140
h2	[mm]	400	400	400	400
L	[mm]	1515	1540	1608	1685
i1	[mm]	1600	1600	1600	1800
i2	[mm]	270	270	270	300
i3	[mm]	1060	1060	1060	1200
b1	[mm]	530	530	530	600
b2	[mm]	660	660	660	730
b3	[mm]	600	600	600	670
d	[mm]	28	28	28	28
a2	[mm]	110	110	110	110
h	[mm]	100	100	100	100
h3	[mm]	415	415	415	415
h4	[mm]	743	743	829	860
Base frame no.		8	8	8	9
Net Weight	[kg]	578	607	736	915
Gross Weight	[kg]	716	745	874	1076
Volume	[m³]	1.564	1.564	1.564	1.973

Performance curves

LBS 150-315

Single-stage bare shaft end-suction pumps

4-pole



Technical data

Power	[kw]	22	30	37	45
	[hp]	30	40	50	60
Frame		180L	200L	225S	225M
PN	[bar]	16	16	16	16
DNs	[mm]	200	200	200	200
DNd	[mm]	150	150	150	150
a	[mm]	160	160	160	160
h2	[mm]	400	400	400	400
L	[mm]	1446	1493	1535	1560
i1	[mm]	1800	1800	1800	1800
i2	[mm]	300	300	300	300
i3	[mm]	1200	1200	1200	1200
b1	[mm]	600	600	600	600
b2	[mm]	730	730	730	730
b3	[mm]	670	670	670	670
d	[mm]	28	28	28	28
a2	[mm]	110	110	110	110
h	[mm]	100	100	100	100
h3	[mm]	380	380	380	380
h4	[mm]	674	686	708	708
Base frame no.		9	9	9	9
Net Weight	[kg]	470	536	584	613
Gross Weight	[kg]	631	697	745	774
Volume	[m³]	1.973	1.973	1.973	1.973

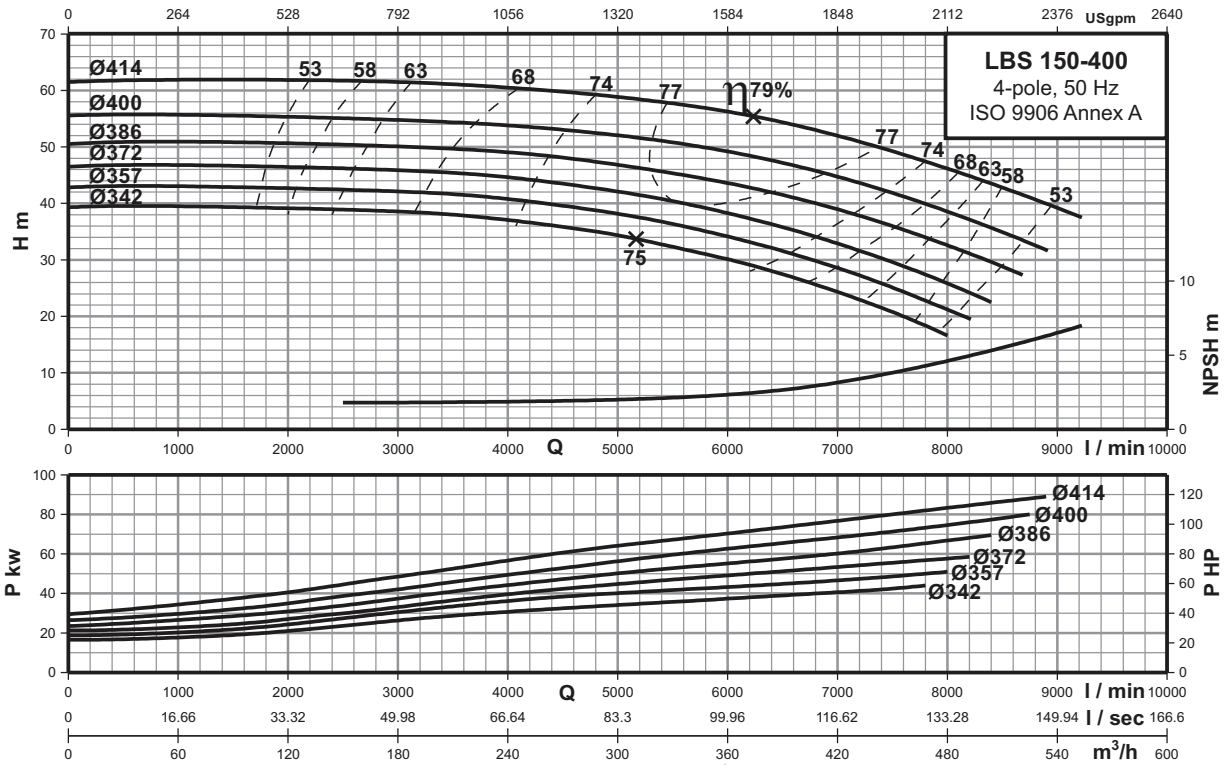
4 POLE

Performance curves

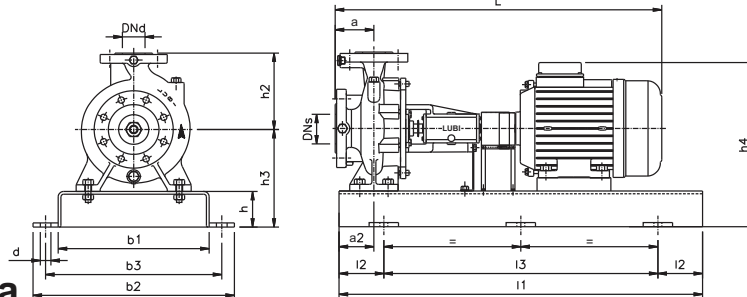
LBS 150-400

Single-stage bare shaft end-suction pumps

4-pole



4 POLE



Technical data

Power	[kw]	40	55	75	90
	[hp]	60	75	100	120
Frame		225M	250M	280S	280M
PN	[bar]	16	16	16	16
DNs	[mm]	200	200	200	200
DNd	[mm]	150	150	150	150
a	[mm]	160	160	160	160
h2	[mm]	450	450	450	450
L	[mm]	1560	1628	1705	1705
l1	[mm]	1800	1800	1800	1800
l2	[mm]	300	300	300	300
l3	[mm]	1200	1200	1200	1200
b1	[mm]	600	600	600	600
b2	[mm]	730	730	730	730
b3	[mm]	670	670	670	670
d	[mm]	28	28	28	28
a2	[mm]	110	110	110	110
h	[mm]	100	100	100	100
h3	[mm]	415	415	415	415
h4	[mm]	743	829	860	860
Base frame no.		9	9	9	9
Net Weight	[kg]	646	775	937	1007
Gross Weight	[kg]	807	936	1098	1168
Volume	[m ³]	1.973	1.973	1.973	1.973