

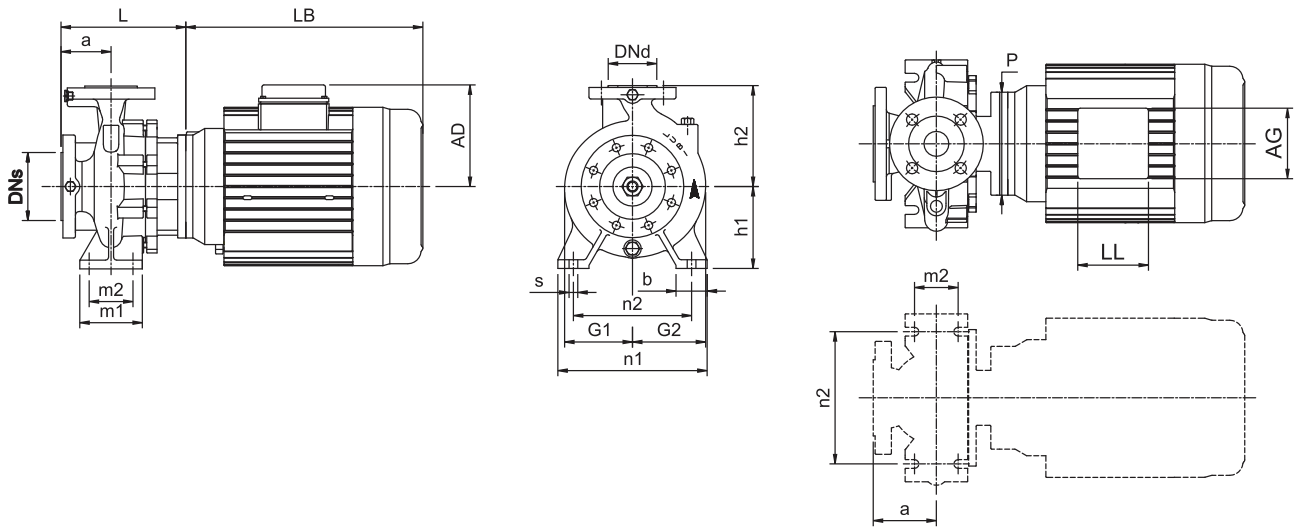
Technical Data

Single-stage end-suction pumps

LES 32-1252

2-pole

2 POLE



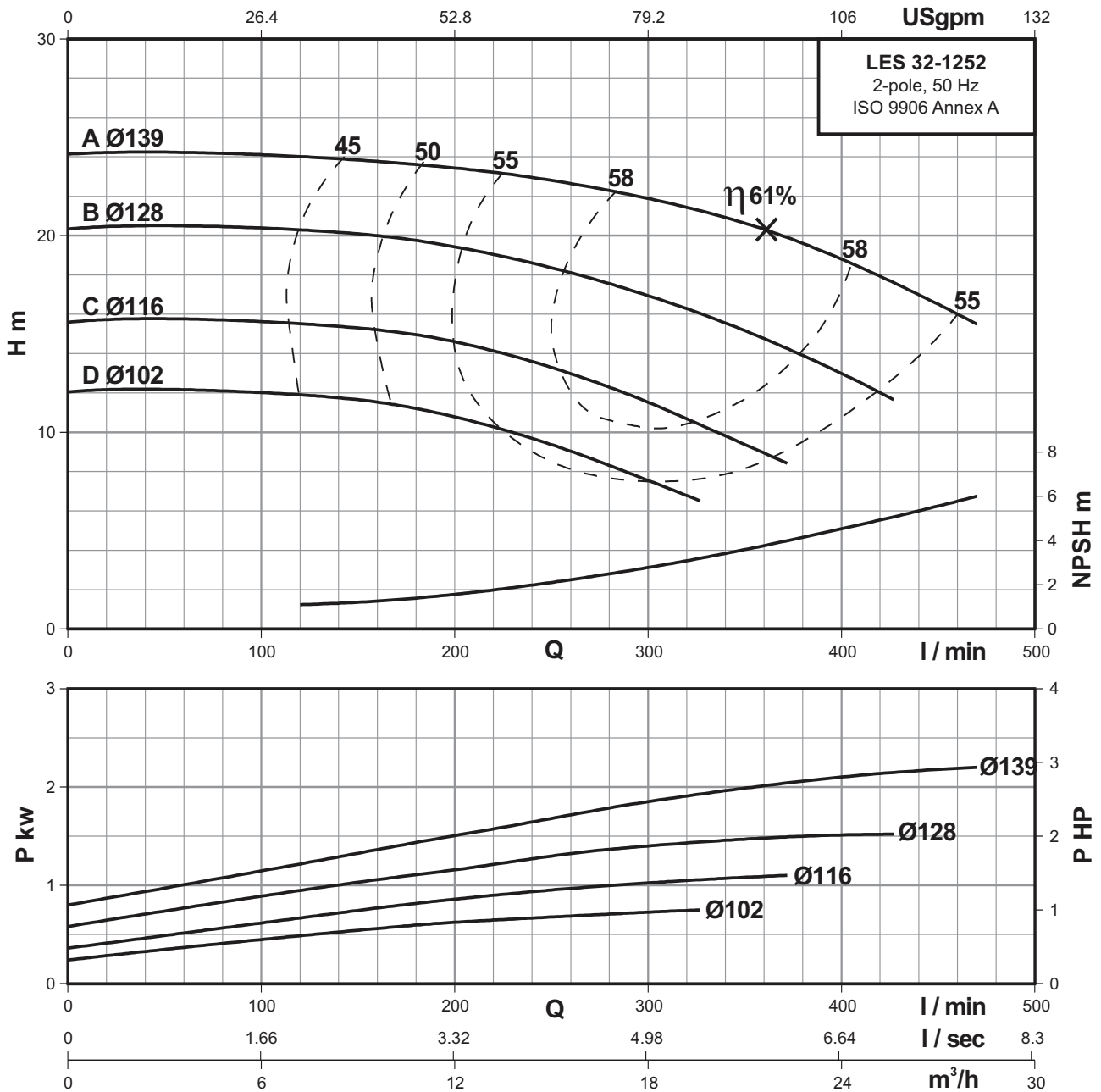
Power	[kw]	0.75	1.1	1.5	2.2
	[hp]	1	1.5	2	3
Frame		80L	80L	90L	112M
PN	[bar]	16	16	16	16
Code for Impeller diameter		D	C	B	A
DN _s	[mm]	50	50	50	50
DN _d	[mm]	32	32	32	32
a	[mm]	80	80	80	80
h ₂	[mm]	140	140	140	140
L	[mm]	220	220	230	174
h ₁	[mm]	112	112	112	112
G ₁	[mm]	90	90	90	90
G ₂	[mm]	102	102	102	102
m ₁	[mm]	100	100	100	100
m ₂	[mm]	70	70	70	70
n ₁	[mm]	190	190	190	190
n ₂	[mm]	140	140	140	140
b	[mm]	50	50	50	50
s	[mm]	14	14	14	14
H	[mm]	-	-	-	-
LB	[mm]	229	229	272	356
AD	[mm]	118	118	125	150
AG	[mm]	101	101	101	112
LL	[mm]	86	86	86	112
P	[mm]	200	200	200	165
C	[mm]	-	-	-	-
B	[mm]	-	-	-	-
A	[mm]	-	-	-	-
K	[mm]	-	-	-	-
Net Weight	[kg]	29	30	36	47
Gross Weight	[kg]	37	38	46	57
Volume	[m ³]	0.082	0.082	0.104	0.104

Performance curves

LES 32-1252

Single-stage end-suction pumps

2-pole



Performance Data At n=2900 RPM

MODEL	POWER		m ³ /h l/min	6	9	12	15	18	21	24	27
	KW	HP		100	150	200	250	300	350	400	450
LES 32-1252D	0.75	1.0	H (m)	12	11.7	10.9	9.4	7.6	-	-	-
LES 32-1252C	1.1	1.5		15.5	15.3	14.6	13.3	11.5	9.4	-	-
LES 32-1252B	1.5	2.0		20.2	20	19.4	18.3	16.9	15.2	13	-
LES 32-1252A	2.2	3.0		24.1	23.8	23.4	22.8	21.9	20.6	18.7	16.5

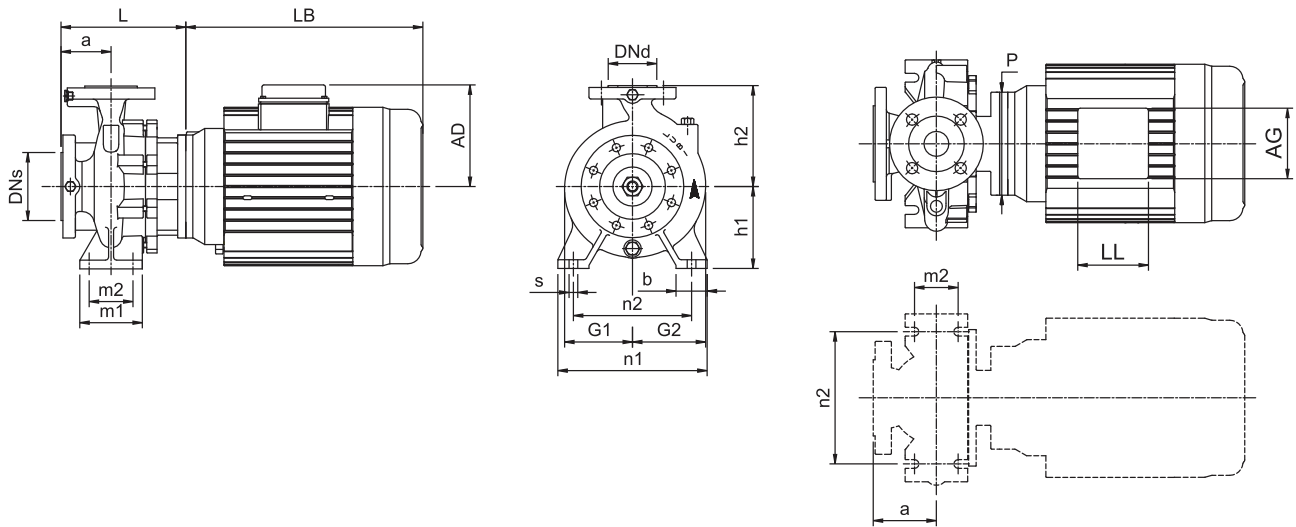
Technical Data

Single-stage end-suction pumps

LES 32-1602

2-pole

2 POLE



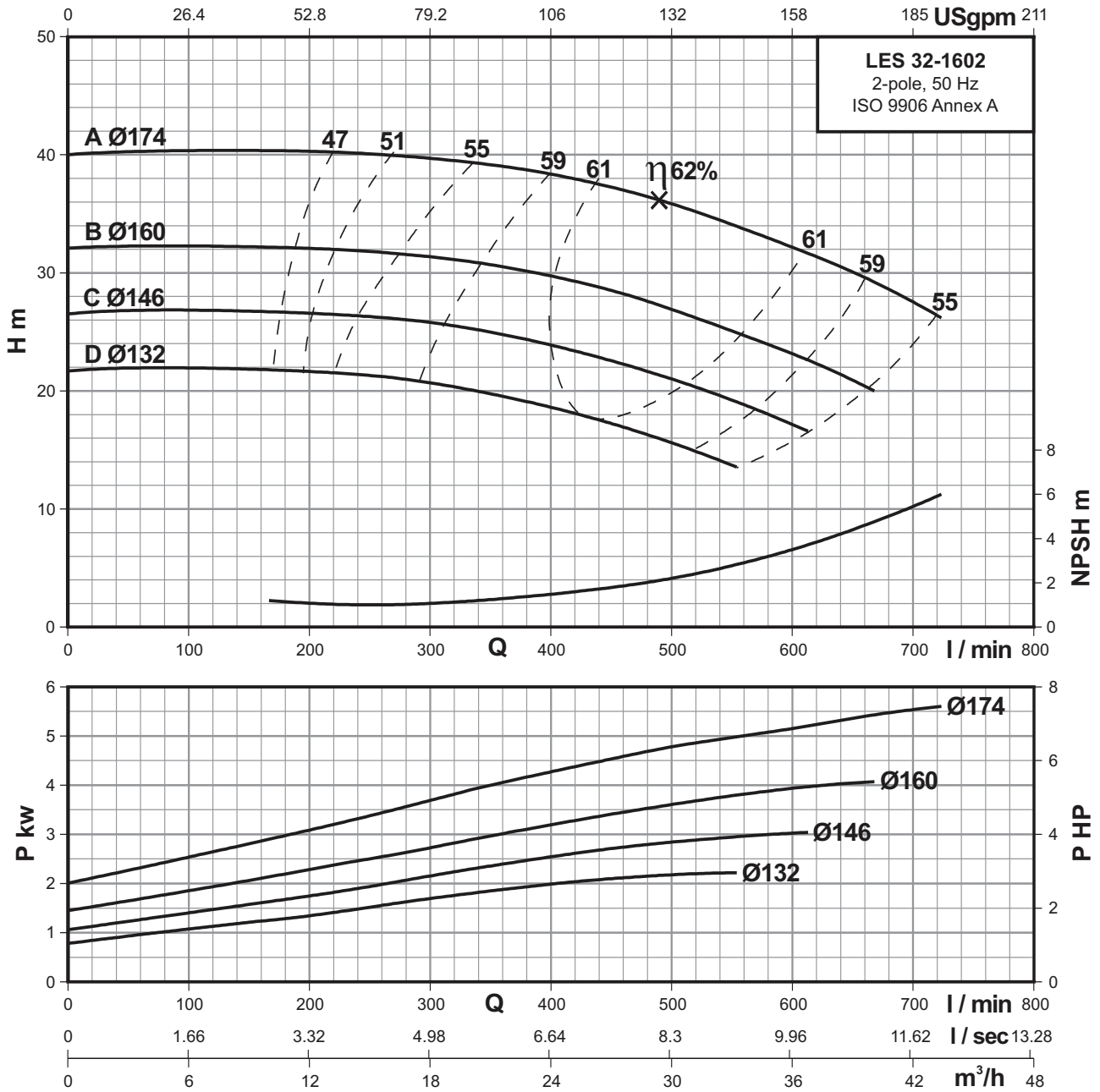
Power	[kw]	2.2	3	4	5.5
	[hp]	3	4	5.5	7.5
Frame		112M	112M	112M	112M
PN	[bar]	16	16	16	16
Code for Impeller diameter		D	C	B	A
DN _s	[mm]	50	50	50	50
DN _d	[mm]	32	32	32	32
a	[mm]	80	80	80	80
h ₂	[mm]	160	160	160	160
L	[mm]	174	174	174	174
h ₁	[mm]	132	132	132	132
G ₁	[mm]	112	112	112	112
G ₂	[mm]	124	124	124	124
m ₁	[mm]	100	100	100	100
m ₂	[mm]	70	70	70	70
n ₁	[mm]	240	240	240	240
n ₂	[mm]	190	190	190	190
b	[mm]	50	50	50	50
s	[mm]	14	14	14	14
H	[mm]	-	-	-	-
LB	[mm]	356	356	356	356
AD	[mm]	150	150	150	150
AG	[mm]	112	112	112	112
LL	[mm]	112	112	112	112
P	[mm]	165	165	165	165
C	[mm]	-	-	-	-
B	[mm]	-	-	-	-
A	[mm]	-	-	-	-
K	[mm]	-	-	-	-
Net Weight	[kg]	50	53	55	59
Gross Weight	[kg]	60	63	65	69
Volume	[m ³]	0.104	0.104	0.104	0.104

Performance curves

LES 32-1602

Single-stage end-suction pumps

2-pole



Performance Data At n=2900 RPM

MODEL	POWER		m ³ /h l/min	6	12	18	24	30	36	42
	KW	HP		100	200	300	400	500	600	700
LES 32-1602D	2.2	3.0	H (m)	22	21.8	20.6	18.6	15.6	-	-
LES 32-1602C	3.0	4.0		26.5	26.4	25.9	24	21	17	-
LES 32-1602B	4.0	5.5		32.1	32	31.3	29.8	26.9	23.2	-
LES 32-1602A	5.5	7.5		40.3	40.1	39.8	38.3	36	32.1	27.5

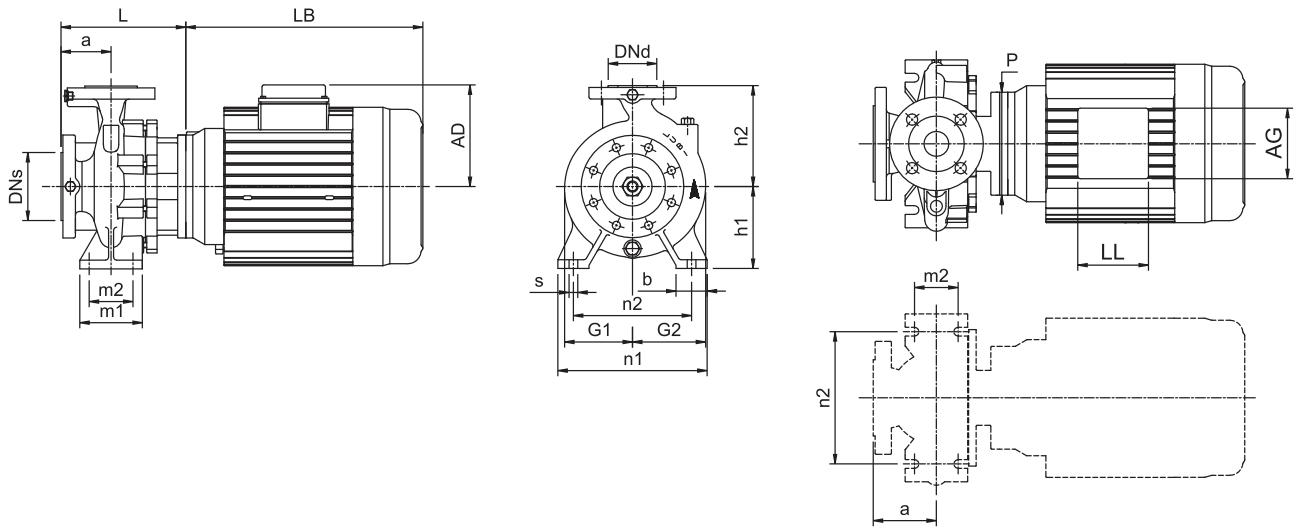
Technical Data

Single-stage end-suction pumps

LES 32-2002

2-pole

2 POLE



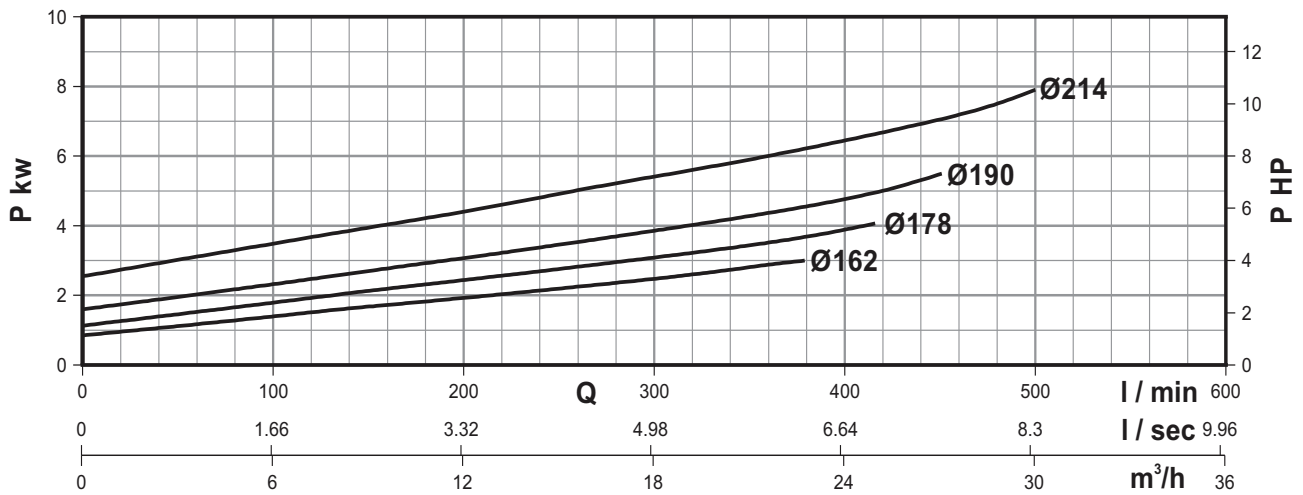
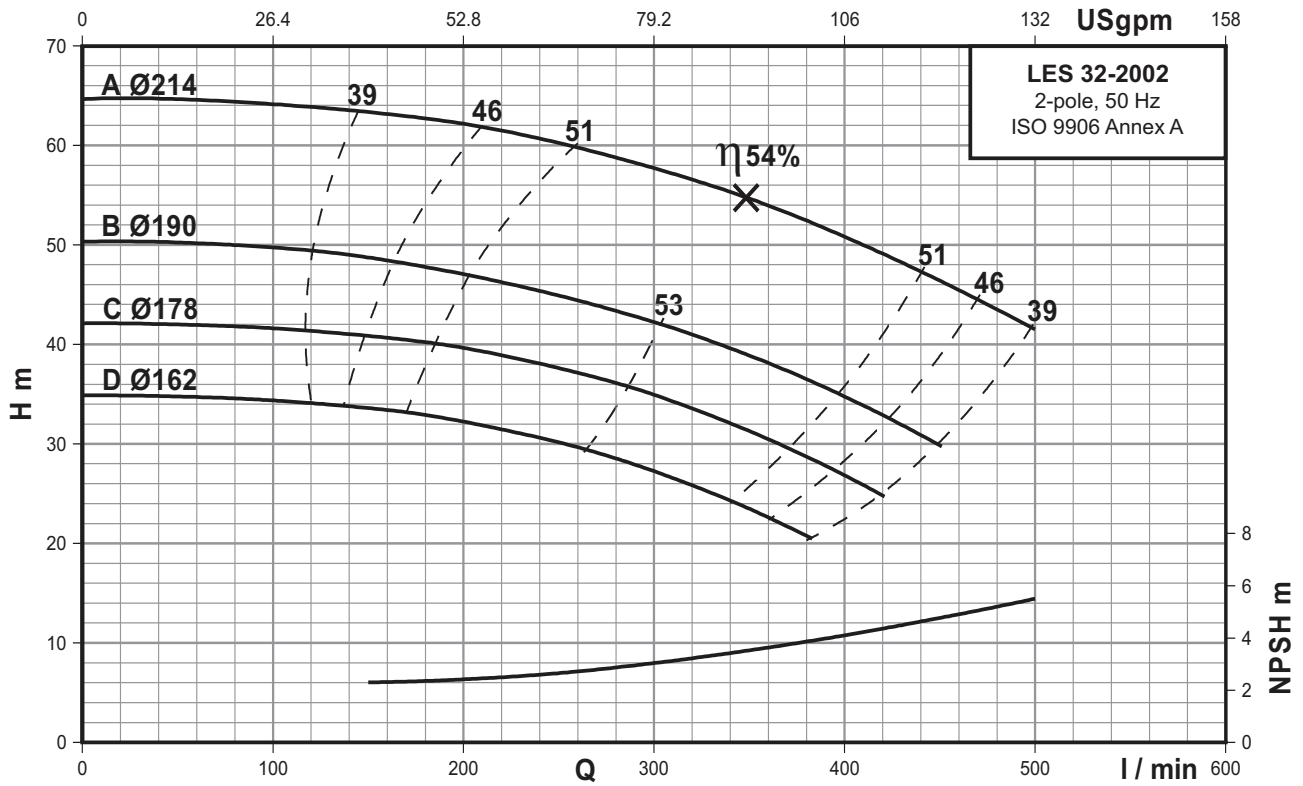
Power	[kw]	3	4	5.5	7.5
	[hp]	4	5.5	7.5	10
Frame		112M	112M	112M	132M
PN	[bar]	16	16	16	16
Code for Impeller diameter		D	C	B	A
DN _s	[mm]	50	50	50	50
DN _d	[mm]	32	32	32	32
a	[mm]	80	80	80	80
h ₂	[mm]	180	180	180	180
L	[mm]	175	175	175	180
h ₁	[mm]	160	160	160	160
G ₁	[mm]	126	126	126	126
G ₂	[mm]	133	133	133	133
m ₁	[mm]	100	100	100	100
m ₂	[mm]	70	70	70	70
n ₁	[mm]	240	240	240	240
n ₂	[mm]	190	190	190	190
b	[mm]	50	50	50	50
s	[mm]	14	14	14	14
H	[mm]	-	-	-	-
LB	[mm]	356	356	356	417
AD	[mm]	150	150	150	178
AG	[mm]	112	112	112	112
LL	[mm]	112	112	112	112
P	[mm]	165	165	165	225
C	[mm]	-	-	-	-
B	[mm]	-	-	-	-
A	[mm]	-	-	-	-
K	[mm]	-	-	-	-
Net Weight	[kg]	57	59	64	85
Gross Weight	[kg]	67	69	74	95
Volume	[m ³]	0.104	0.104	0.104	0.142

Performance curves

LES 32-2002

Single-stage end-suction pumps

2-pole



Performance Data At n=2900 RPM

MODEL	POWER		m³/h l/min	6	9	12	15	18	21	24	27	30
	KW	HP		100	150	200	250	300	350	400	450	500
LES 32-2002D	3.0	4.0	H (m)	34.3	33.6	32.1	30.1	27.4	23.5	-	-	-
LES 32-2002C	4.0	5.5		41.8	41	39.8	37.9	34.8	31.4	26.8	-	-
LES 32-2002B	5.5	7.5		49.9	48.8	47	45	42	39	34.8	30	-
LES 32-2002A	7.5	10.0		64	63.2	62	60.2	57.9	55	50.8	46.3	41.3

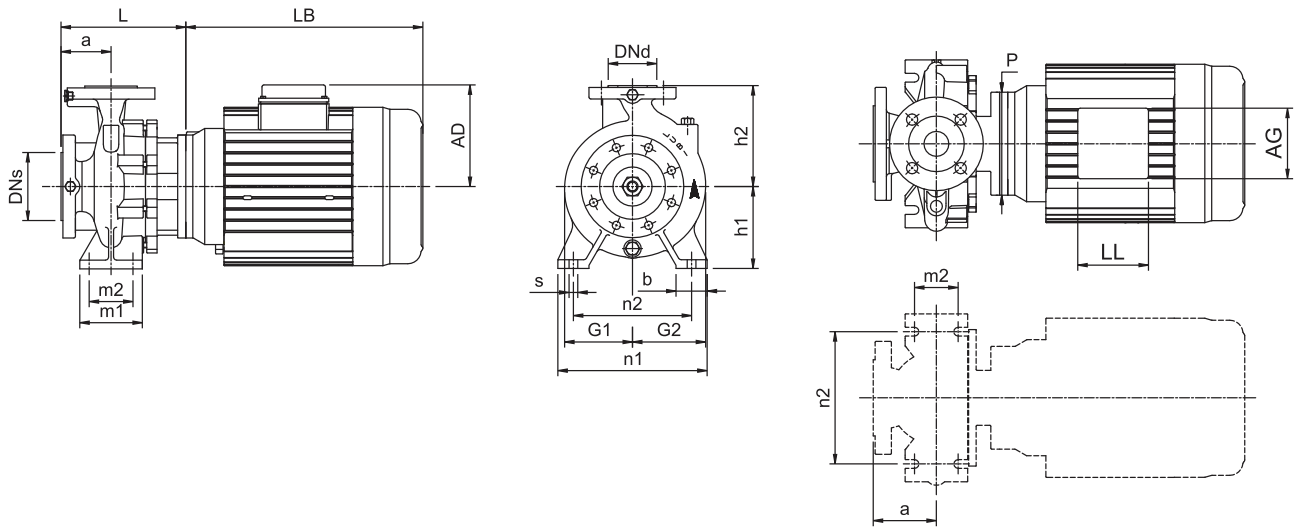
Technical Data

Single-stage end-suction pumps

LES 32-200L2

2-pole

2 POLE



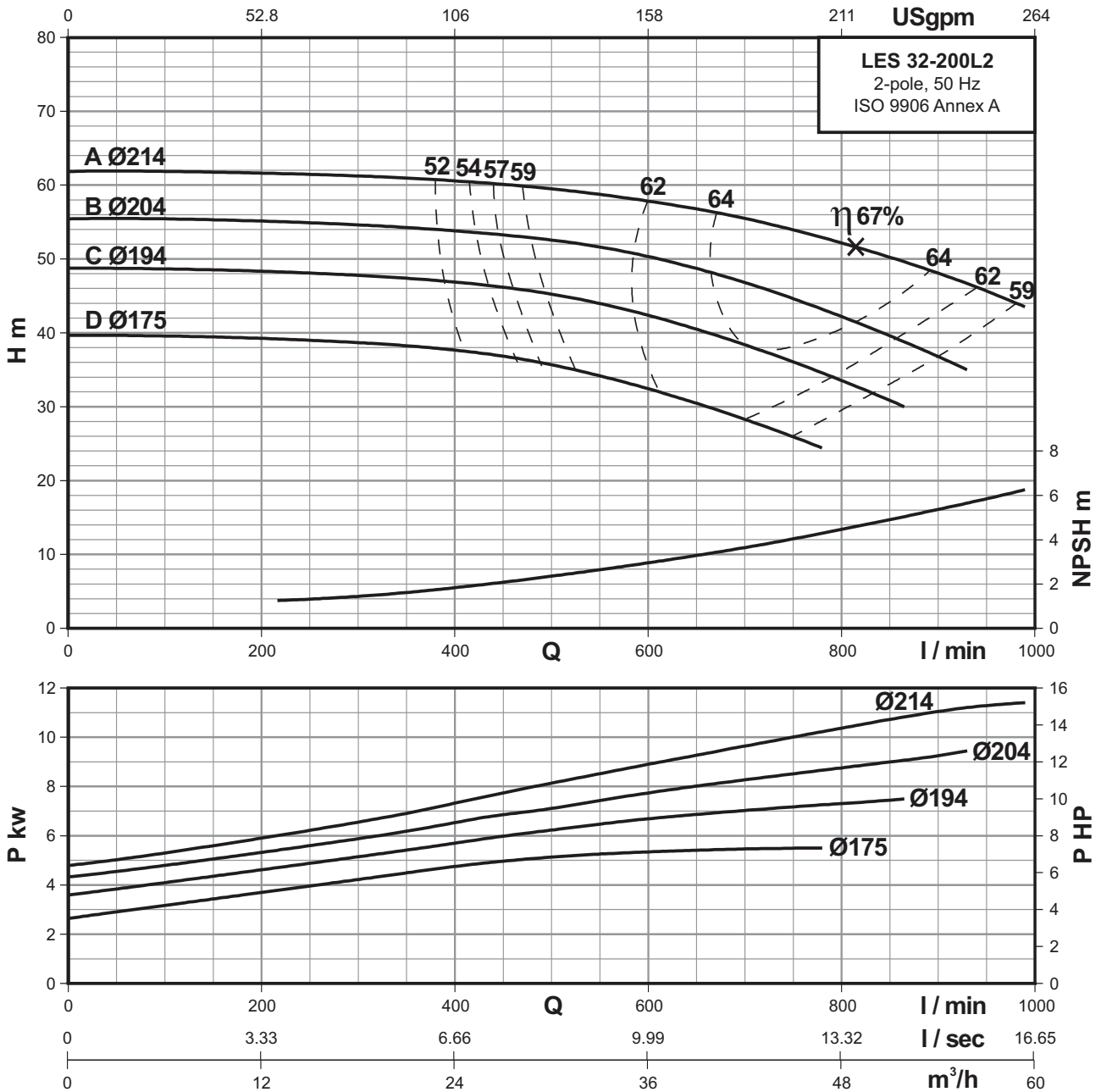
Power	[kw]	5.5	7.5	9.3	11
	[hp]	7.5	10	12.5	15
Frame		112M	132M	132M	132M
PN	[bar]	16	16	16	16
Code for Impeller diameter		D	C	B	A
DN _s	[mm]	50	50	50	50
DN _d	[mm]	32	32	32	32
a	[mm]	80	80	80	80
h ₂	[mm]	180	180	180	180
L	[mm]	175	180	180	180
h ₁	[mm]	160	160	160	160
G ₁	[mm]	135	135	135	135
G ₂	[mm]	147	147	147	147
m ₁	[mm]	100	100	100	100
m ₂	[mm]	70	70	70	70
n ₁	[mm]	240	240	240	240
n ₂	[mm]	190	190	190	190
b	[mm]	50	50	50	50
s	[mm]	14	14	14	14
H	[mm]	-	-	-	-
LB	[mm]	356	417	417	417
AD	[mm]	150	178	178	178
AG	[mm]	112	112	112	112
LL	[mm]	112	112	112	112
P	[mm]	165	225	225	225
C	[mm]	-	-	-	-
B	[mm]	-	-	-	-
A	[mm]	-	-	-	-
K	[mm]	-	-	-	-
Net Weight	[kg]	62	83	88	93
Gross Weight	[kg]	72	93	98	103
Volume	[m ³]	0.104	0.142	0.142	0.142

Performance curves

LES 32-200L2

Single-stage end-suction pumps

2-pole



Performance Data At n=2900 RPM

MODEL	POWER		m ³ /h l/min	6	12	18	24	30	36	42	48	54	60
	KW	HP		100	200	300	400	500	600	700	800	900	1000
LES 32-200L2D	5.5	7.5	H (m)	39.7	39.4	38.5	37.7	35.8	32.4	28.1	-	-	-
LES 32-200L2C	7.5	10.0		48.7	48.4	47.9	47	45.5	42.3	38.2	34	-	-
LES 32-200L2B	9.3	12.5		55.4	55	54.5	54	52.6	50	46.8	42	36.8	-
LES 32-200L2A	11.0	15.0		61.9	61.7	61.3	60.6	59.7	58	55.5	52	48	43

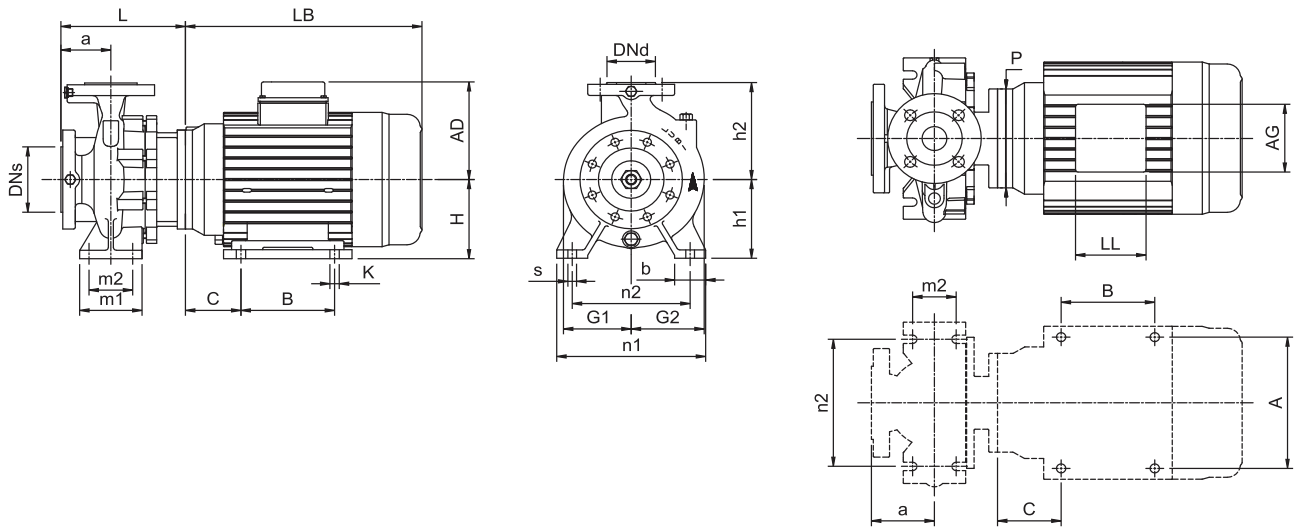
Technical Data

LES 32-2502

Single-stage end-suction pumps

2-pole

2 POLE



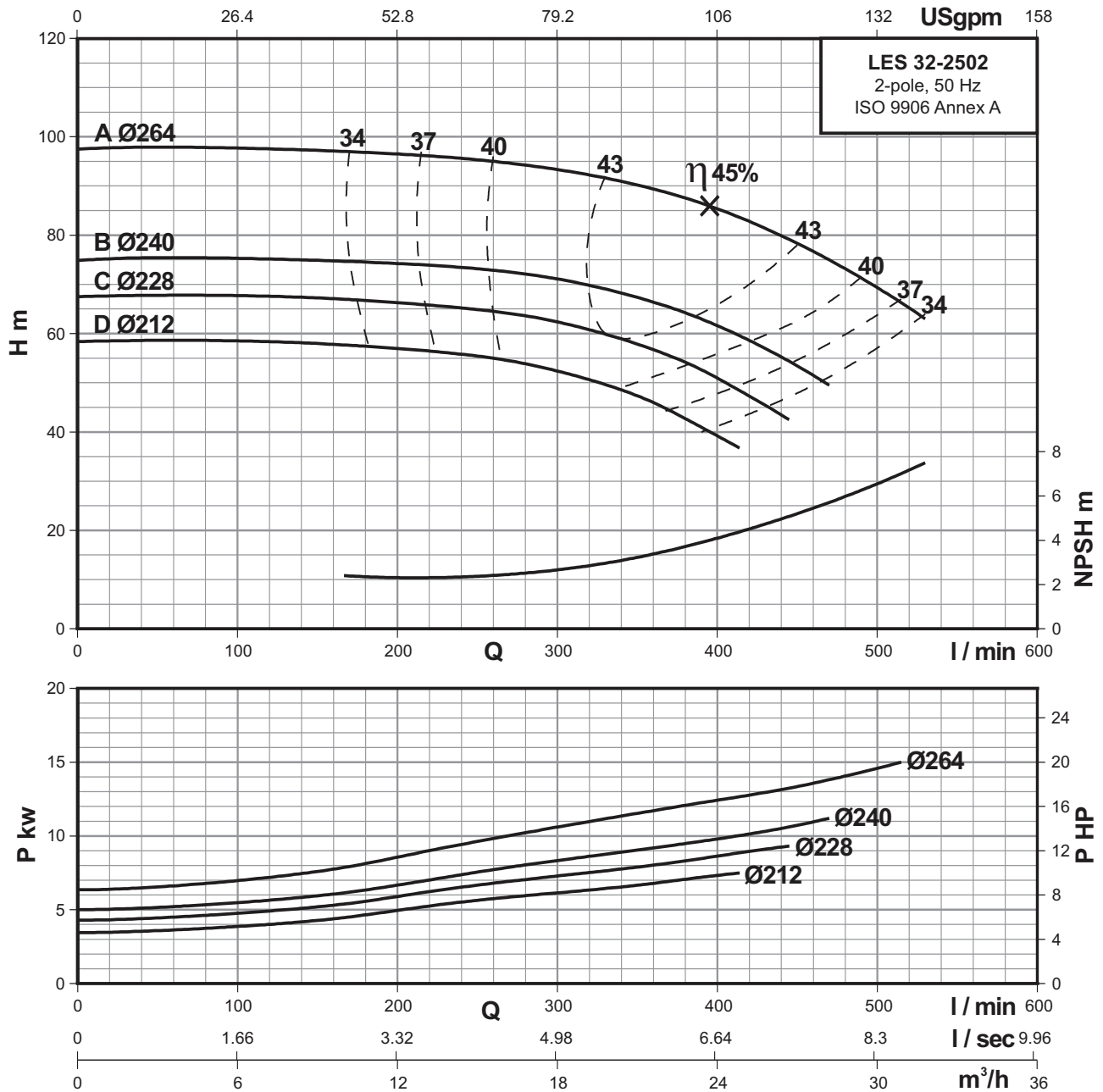
Power	[kw]	7.5	9.3	11	15
	[hp]	10	12.5	15	20
Frame		132M	132M	132M	160M
PN	[bar]	16	16	16	16
Code for Impeller diameter		D	C	B	A
DNs	[mm]	50	50	50	50
Dnd	[mm]	32	32	32	32
a	[mm]	100	100	100	100
h2	[mm]	225	225	225	225
L	[mm]	211	211	211	231
h1	[mm]	180	180	180	180
G1	[mm]	150	150	150	150
G2	[mm]	154	154	154	154
m1	[mm]	125	125	125	125
m2	[mm]	95	95	95	95
n1	[mm]	320	320	320	320
n2	[mm]	250	250	250	250
b	[mm]	65	65	65	65
s	[mm]	14	14	14	14
H	[mm]	-	-	-	160
LB	[mm]	417	417	417	500
AD	[mm]	178	178	178	222
AG	[mm]	112	112	112	152
LL	[mm]	112	112	112	152
P	[mm]	225	225	225	254
C	[mm]	-	-	-	108
B	[mm]	-	-	-	210
A	[mm]	-	-	-	254
K	[mm]	-	-	-	15
Net Weight	[kg]	96	101	106	130
Gross Weight	[kg]	106	111	116	181
Volume	[m ³]	0.225	0.225	0.225	0.336

Performance curves

LES 32-2502

Single-stage end-suction pumps

2-pole



Performance Data At n=2900 RPM

MODEL	POWER		m ³ /h l/min	6	9	12	15	18	21	24	27	30
	KW	HP		100	150	200	250	300	350	400	450	500
LES 32-2502D	7.5	10.0	H (m)	58	57.8	57	55.5	52	46.8	39	-	-
LES 32-2502C	9.3	12.5		67.5	67.1	66	65	62.1	57.1	51	-	-
LES 32-2502B	11.0	15.0		75	74.8	74.5	72.8	71	67	61.5	53	-
LES 32-2502A	15.0	20.0		97	97	96.8	95.1	93	90.1	85.5	77.5	59.5

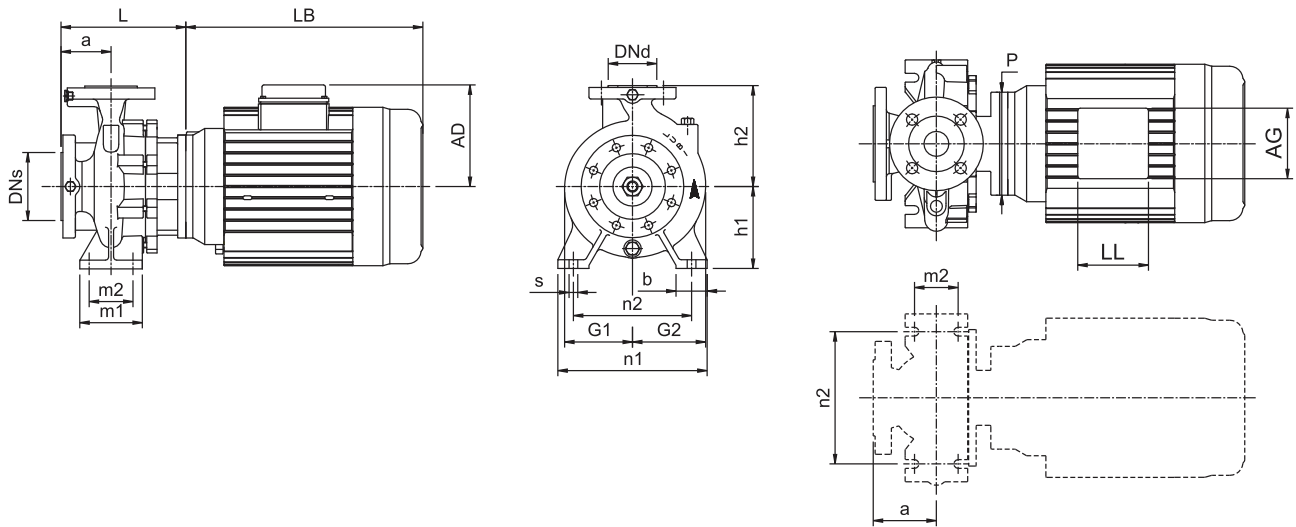
Technical Data

Single-stage end-suction pumps

LES 40-1252

2-pole

2 POLE



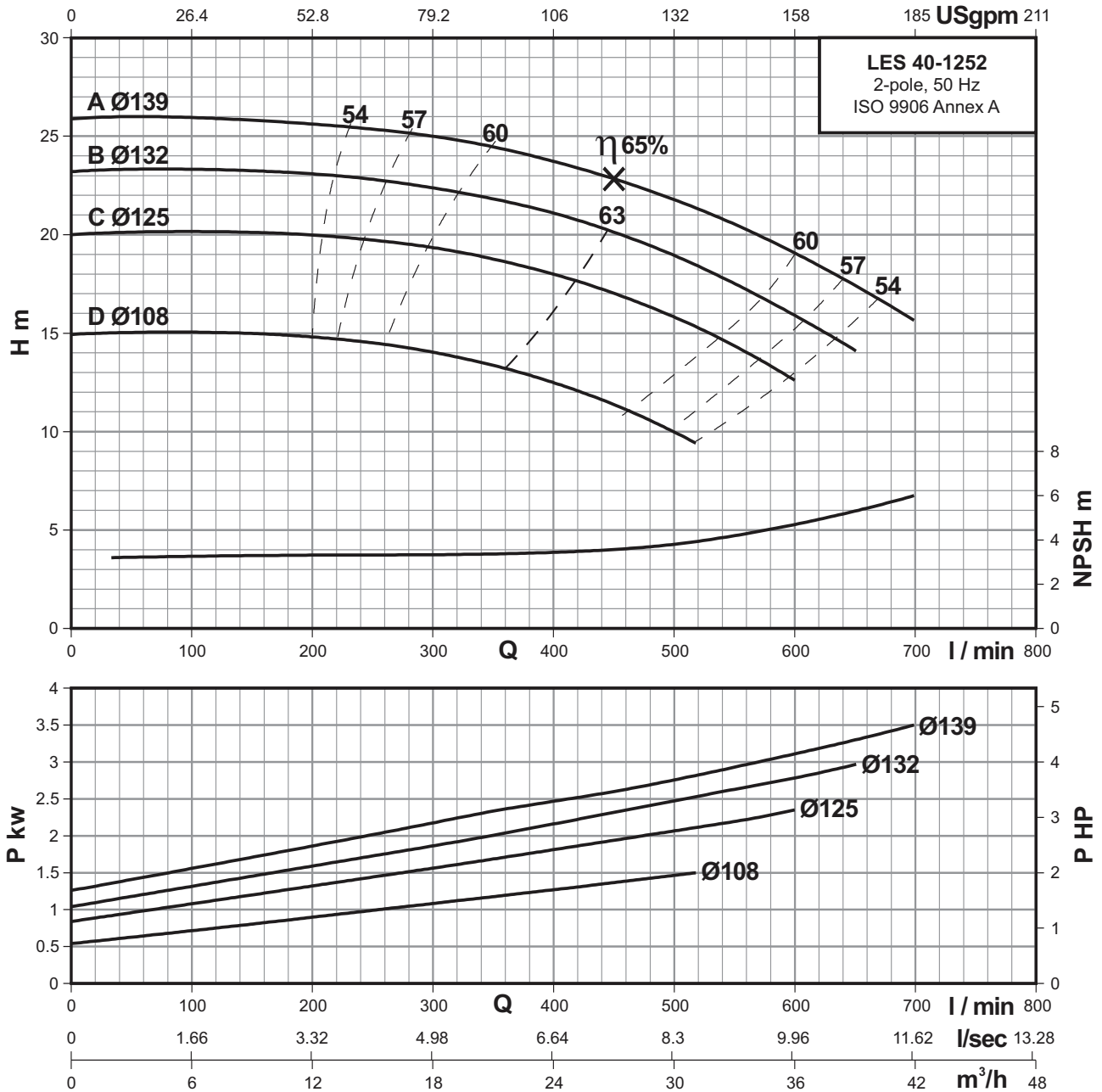
Power	[kw]	1.5	2.2	3	4
	[hp]	2	3	4	5.5
Frame		90L	112M	112M	112M
PN	[bar]	16	16	16	16
Code for Impeller diameter		D	C	B	A
DN _s	[mm]	65	65	65	65
DN _d	[mm]	40	40	40	40
a	[mm]	80	80	80	80
h ₂	[mm]	140	140	140	140
L	[mm]	230	174	174	174
h ₁	[mm]	112	112	112	112
G ₁	[mm]	97	97	97	97
G ₂	[mm]	111	111	111	111
m ₁	[mm]	100	100	100	100
m ₂	[mm]	70	70	70	70
n ₁	[mm]	210	210	210	210
n ₂	[mm]	160	160	160	160
b	[mm]	50	50	50	50
s	[mm]	14	14	14	14
H	[mm]	-	-	-	-
LB	[mm]	272	356	356	356
AD	[mm]	125	150	150	150
AG	[mm]	101	112	112	112
LL	[mm]	86	112	112	112
P	[mm]	200	165	165	165
C	[mm]	-	-	-	-
B	[mm]	-	-	-	-
A	[mm]	-	-	-	-
K	[mm]	-	-	-	-
Net Weight	[kg]	38	50	52	54
Gross Weight	[kg]	48	60	62	64
Volume	[m ³]	0.104	0.104	0.104	0.104

Performance curves

LES 40-1252

Single-stage end-suction pumps

2-pole



2 POLE

Performance Data At n=2900 RPM

MODEL	POWER		m³/h l/min	6	12	18	24	30	36	42
	KW	HP		100	200	300	400	500	600	700
LES 40-1252D	1.5	2.0	H (m)	15	14.8	14	12.5	10	-	-
LES 40-1252C	2.2	3.0		20.2	20	19.4	18	15.8	12.6	-
LES 40-1252B	3.0	4.0		23.3	23.1	22.4	21.1	19	14.9	-
LES 40-1252A	4.0	5.5		26	25.6	25	23.6	21.8	19.1	15.6

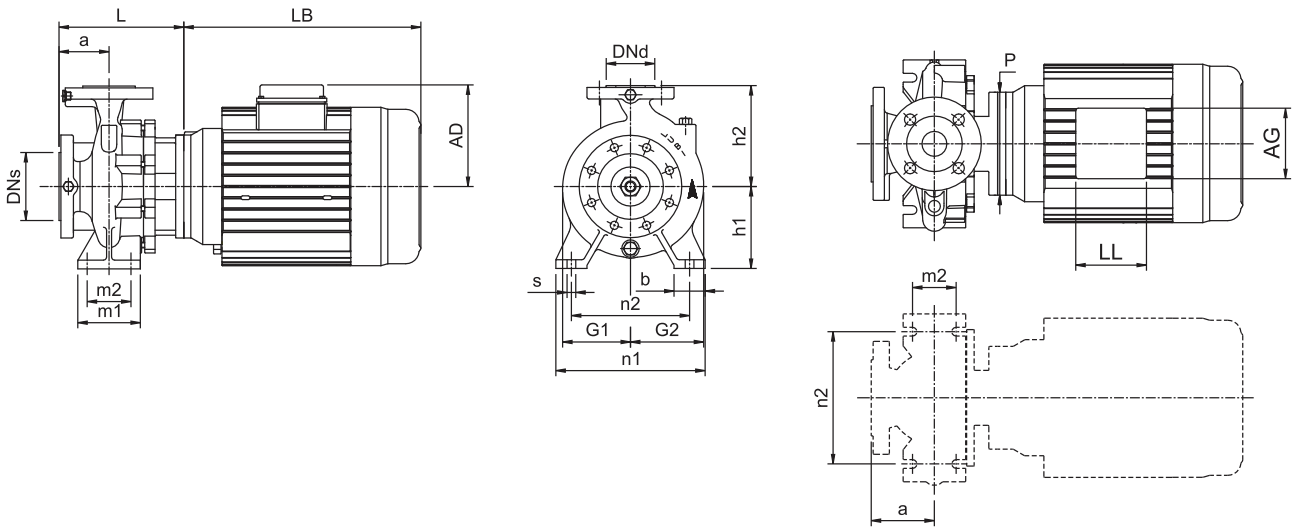
Technical Data

Single-stage end-suction pumps

LES 40-125L2

2-pole

2 POLE



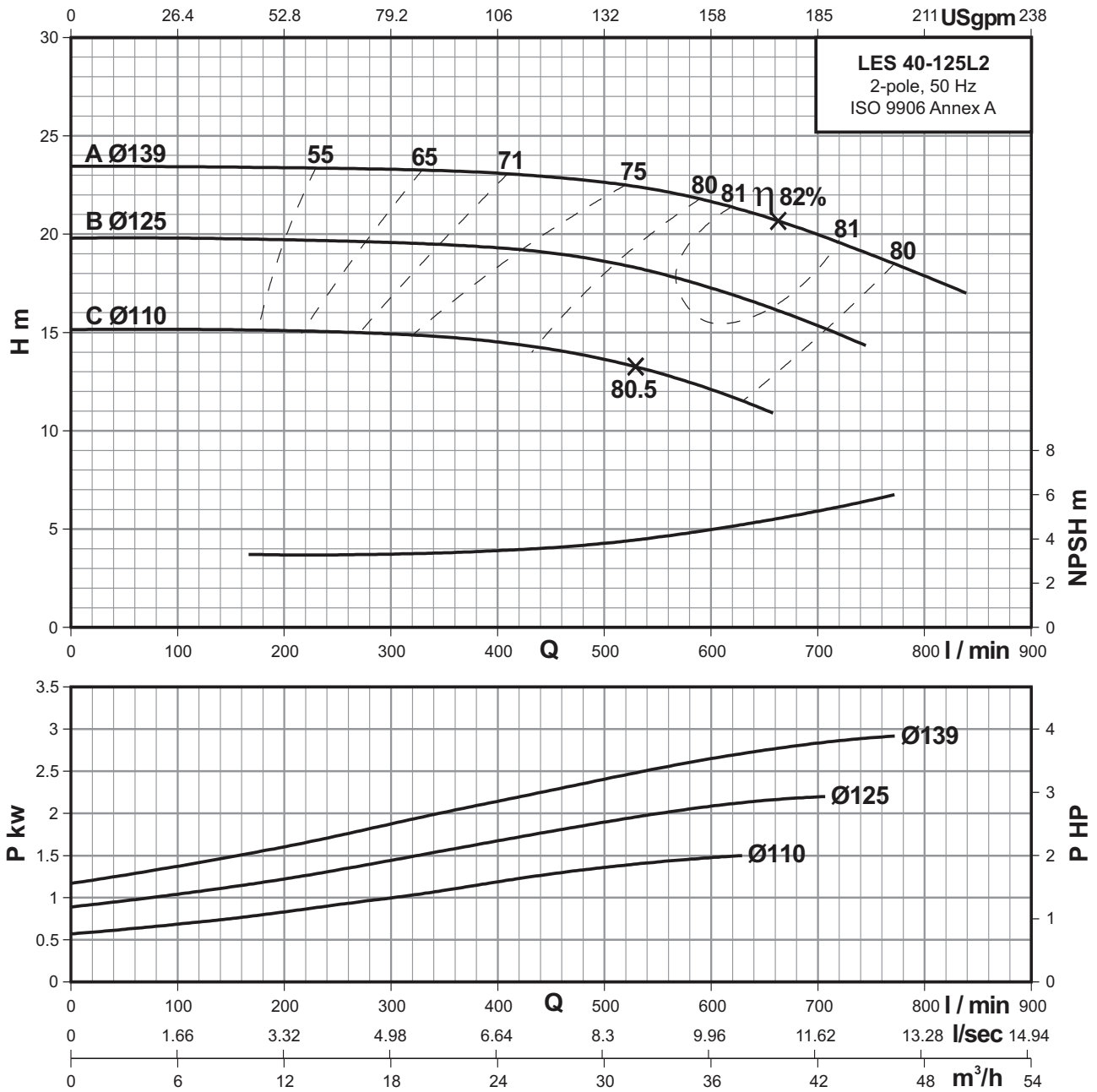
Power	[kw]	1.5	2.2	3
	[hp]	2	3	4
Frame		90L	112M	112M
PN	[bar]	16	16	16
Code for Impeller diameter		C	B	A
DN _s	[mm]	65	65	65
DN _d	[mm]	40	40	40
a	[mm]	80	80	80
h ₂	[mm]	140	140	140
L	[mm]	230	174	174
h ₁	[mm]	112	112	112
G ₁	[mm]	105	105	105
G ₂	[mm]	115	115	115
m ₁	[mm]	100	100	100
m ₂	[mm]	70	70	70
n ₁	[mm]	210	210	210
n ₂	[mm]	160	160	160
b	[mm]	50	50	50
s	[mm]	14	14	14
H	[mm]	-	-	-
LB	[mm]	272	356	356
AD	[mm]	125	150	150
AG	[mm]	101	112	112
LL	[mm]	86	112	112
P	[mm]	200	165	165
C	[mm]	-	-	-
B	[mm]	-	-	-
A	[mm]	-	-	-
K	[mm]	-	-	-
Net Weight	[kg]	39	50	52
Gross Weight	[kg]	49	60	62
Volume	[m ³]	0.104	0.104	0.104

Performance curves

LES 40-125L2

Single-stage end-suction pumps

2-pole



Performance Data At n=2900 RPM

MODEL	POWER		m ³ /h l/min	6	12	18	24	30	36	42	48
	KW	HP		100	200	300	400	500	600	700	800
LES 40-125L2C	1.5	2.0	H (m)	15.2	15.1	14.9	14.5	13.6	12.1	-	-
LES 40-125L2B	2.2	3.0		19.8	19.7	19.6	19.3	18.6	17.2	15.3	-
LES 40-125L2A	3.0	4.0		23.4	23.3	23.2	23.1	22.6	21.7	20	17.9

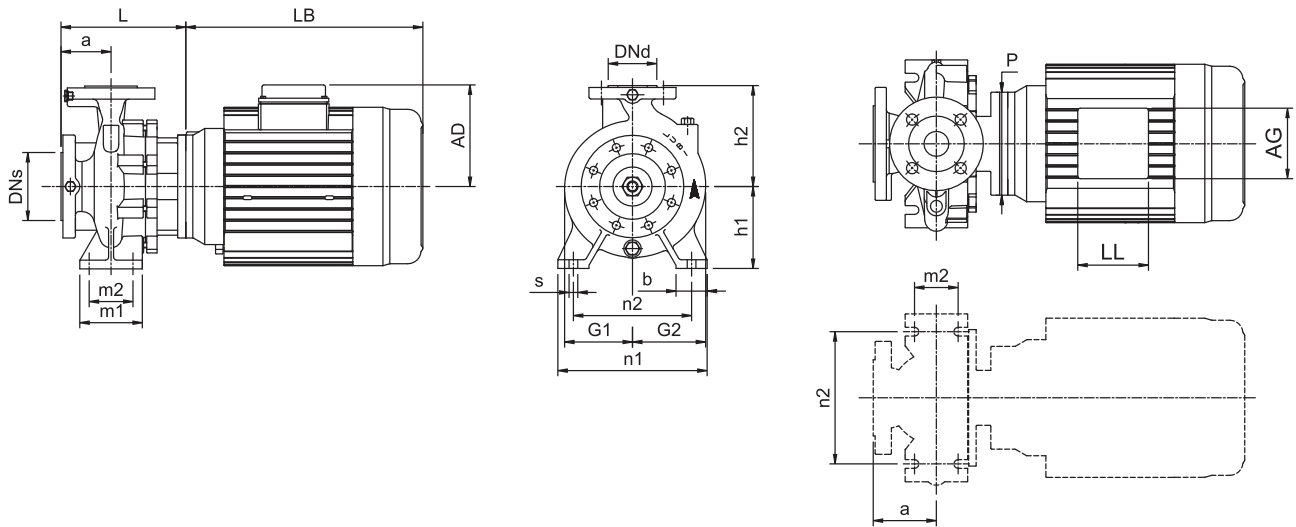
Technical Data

LES 40-1602

Single-stage end-suction pumps

2-pole

2 POLE



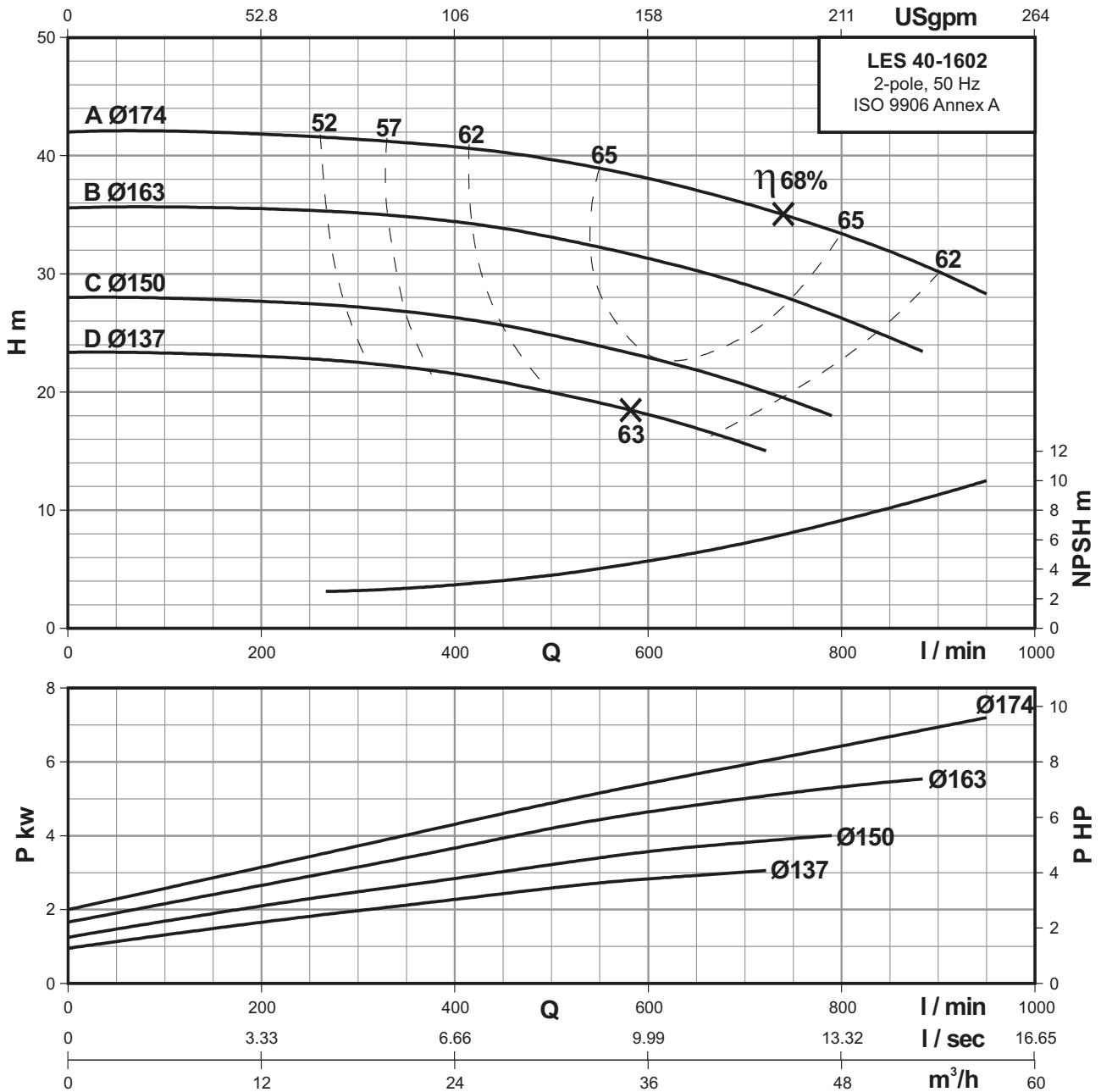
Power	[kw]	3	4	5.5	7.5
	[hp]	4	5.5	7.5	10
Frame		112M	112M	112M	132M
PN	[bar]	16	16	16	16
Code for Impeller diameter		D	C	B	A
DN _s	[mm]	65	65	65	65
DN _d	[mm]	40	40	40	40
a	[mm]	80	80	80	80
h ₂	[mm]	160	160	160	160
L	[mm]	174	174	174	180
h ₁	[mm]	132	132	132	132
G ₁	[mm]	106	106	106	106
G ₂	[mm]	120	120	120	120
m ₁	[mm]	100	100	100	100
m ₂	[mm]	70	70	70	70
n ₁	[mm]	240	240	240	240
n ₂	[mm]	190	190	190	190
b	[mm]	50	50	50	50
s	[mm]	14	14	14	14
H	[mm]	-	-	-	-
LB	[mm]	356	356	356	417
AD	[mm]	150	150	150	178
AG	[mm]	112	112	112	112
LL	[mm]	112	112	112	112
P	[mm]	165	165	165	225
C	[mm]	-	-	-	-
B	[mm]	-	-	-	-
A	[mm]	-	-	-	-
K	[mm]	-	-	-	-
Net Weight	[kg]	55	57	62	82
Gross Weight	[kg]	65	67	72	92
Volume	[m ³]	0.104	0.104	0.104	0.142

Performance curves

LES 40-1602

Single-stage end-suction pumps

2-pole



2 POLE

Performance Data At n=2900 RPM

MODEL	POWER		m³/h l/min	6	12	18	24	30	36	42	48	54
	KW	HP		100	200	300	400	500	600	700	800	900
LES 40-1602D	3.0	4.0	H (m)	23.4	23	22.5	21.5	20	18	15.7	-	-
LES 40-1602C	4.0	5.5		28	27.8	27.2	26.2	24.8	23	20.5	17.8	-
LES 40-1602B	5.5	7.5		35.7	35.6	35.2	34.3	33.1	31.2	29.1	26.2	-
LES 40-1602A	7.5	10.0		42	41.9	41.4	40.8	38.8	38	36	33.3	30.1

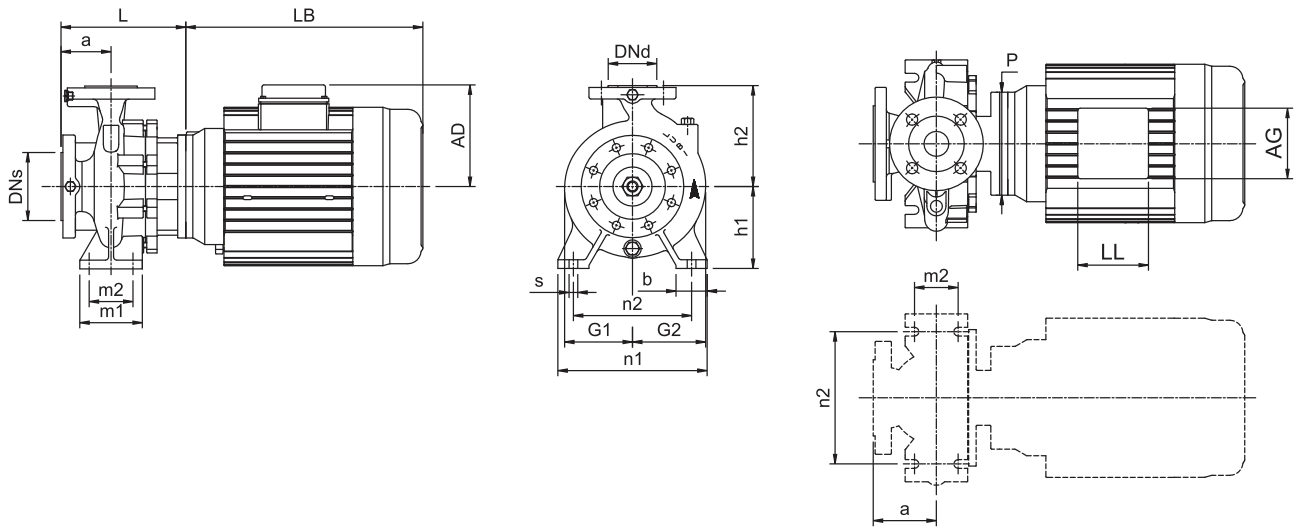
Technical Data

LES 40-2002

Single-stage end-suction pumps

2-pole

2 POLE



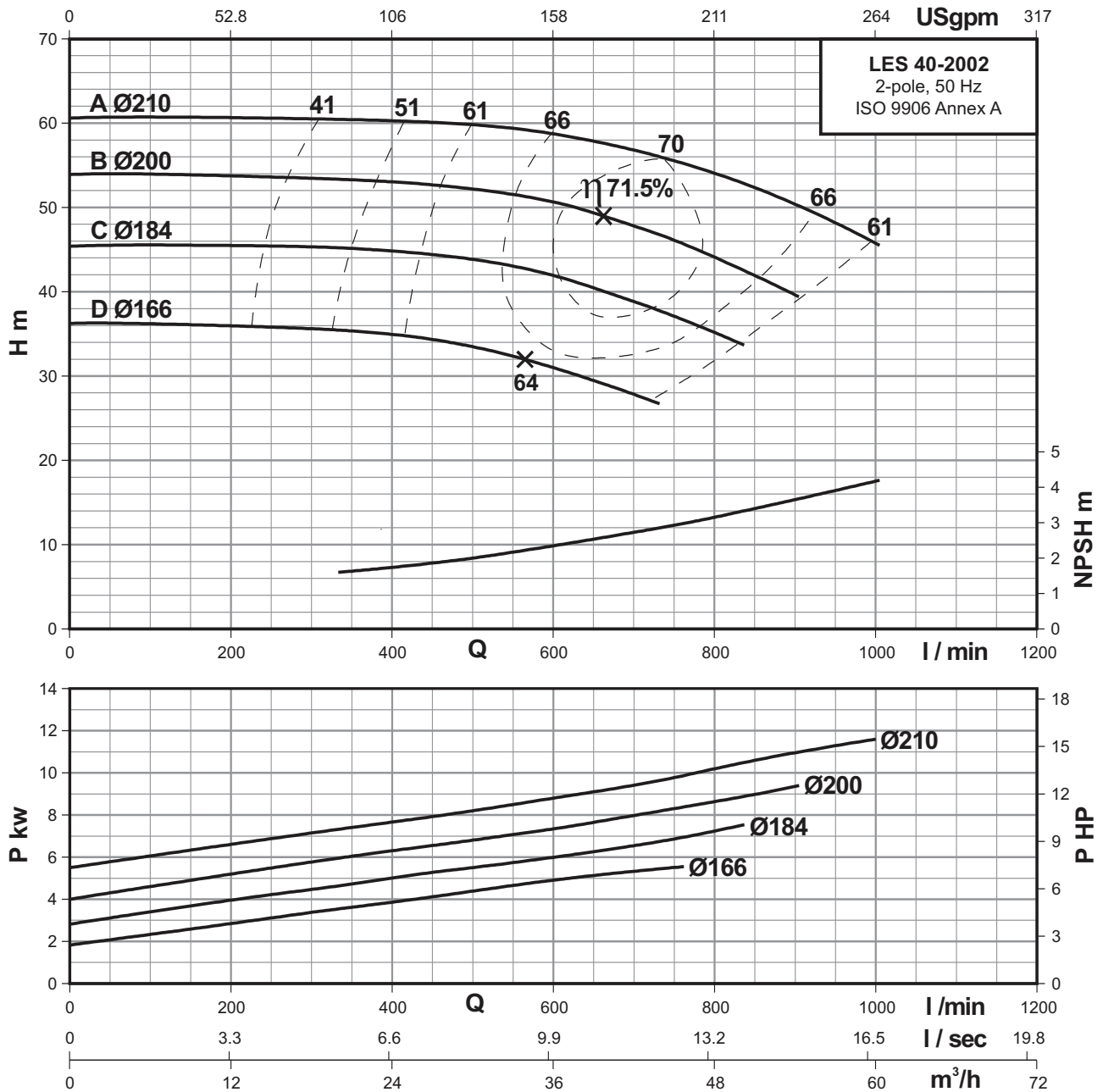
Power	[kw]	5.5	7.5	9.3	11
	[hp]	7.5	10	12.5	15
Frame		112M	132M	132M	132M
PN	[bar]	16	16	16	16
Code for Impeller diameter		D	C	B	A
DN _s	[mm]	65	65	65	65
DN _d	[mm]	40	40	40	40
a	[mm]	100	100	100	100
h ₂	[mm]	180	180	180	180
L	[mm]	195	200	200	200
h ₁	[mm]	160	160	160	160
G ₁	[mm]	131	131	131	131
G ₂	[mm]	140	140	140	140
m ₁	[mm]	100	100	100	100
m ₂	[mm]	70	70	70	70
n ₁	[mm]	265	265	265	265
n ₂	[mm]	212	212	212	212
b	[mm]	50	50	50	50
s	[mm]	14	14	14	14
H	[mm]	-	-	-	-
LB	[mm]	356	417	417	417
AD	[mm]	150	178	178	178
AG	[mm]	112	112	112	112
LL	[mm]	112	112	112	112
P	[mm]	165	225	225	225
C	[mm]	-	-	-	-
B	[mm]	-	-	-	-
A	[mm]	-	-	-	-
K	[mm]	-	-	-	-
Net Weight	[kg]	66	87	92	97
Gross Weight	[kg]	76	97	102	107
Volume	[m ³]	0.104	0.142	0.142	0.142

Performance curves

LES 40-2002

Single-stage end-suction pumps

2-pole



Performance Data At n=2900 RPM

MODEL	POWER		m ³ /h l/min	6	12	18	24	30	36	42	48	54	60
	KW	HP		100	200	300	400	500	600	700	800	900	1000
LES 40-2002D	5.5	7.5	H (m)	36.1	36	35.8	35	33.5	31	28	-	-	-
LES 40-2002C	7.5	10.0		45.6	45.4	45.3	44.8	44	42	38.8	35.1	-	-
LES 40-2002B	9.3	12.5		54	53.9	53.6	53	52	50.5	48	44	39.6	-
LES 40-2002A	11.0	15.0		60.8	60.7	60.5	60.2	59.9	58.8	56.8	54	50.2	45.6

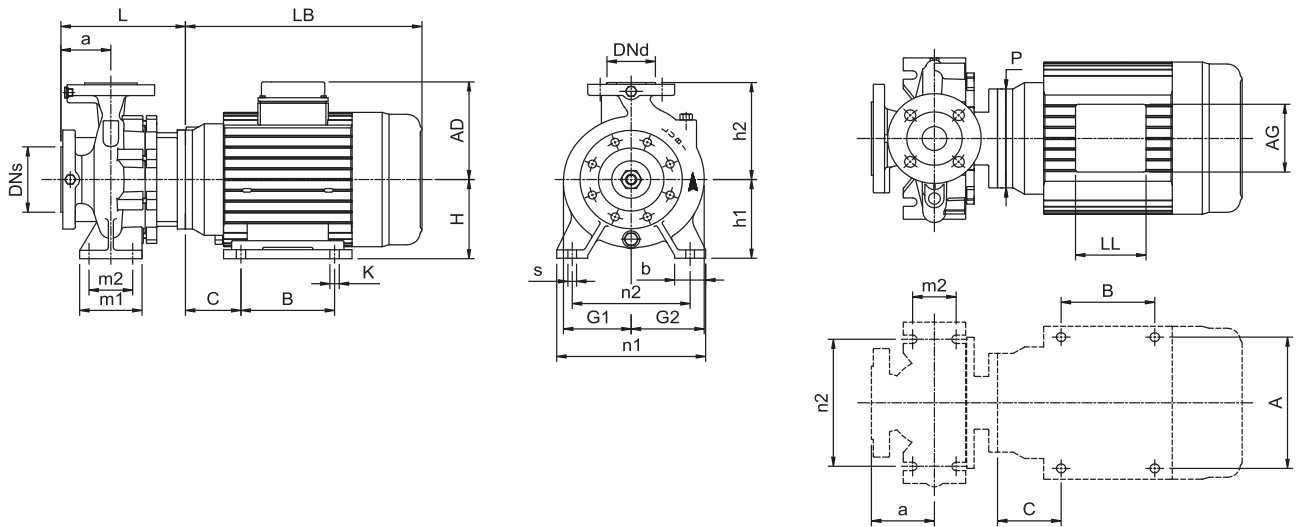
Technical Data

LES 40-2502

Single-stage end-suction pumps

2-pole

2 POLE



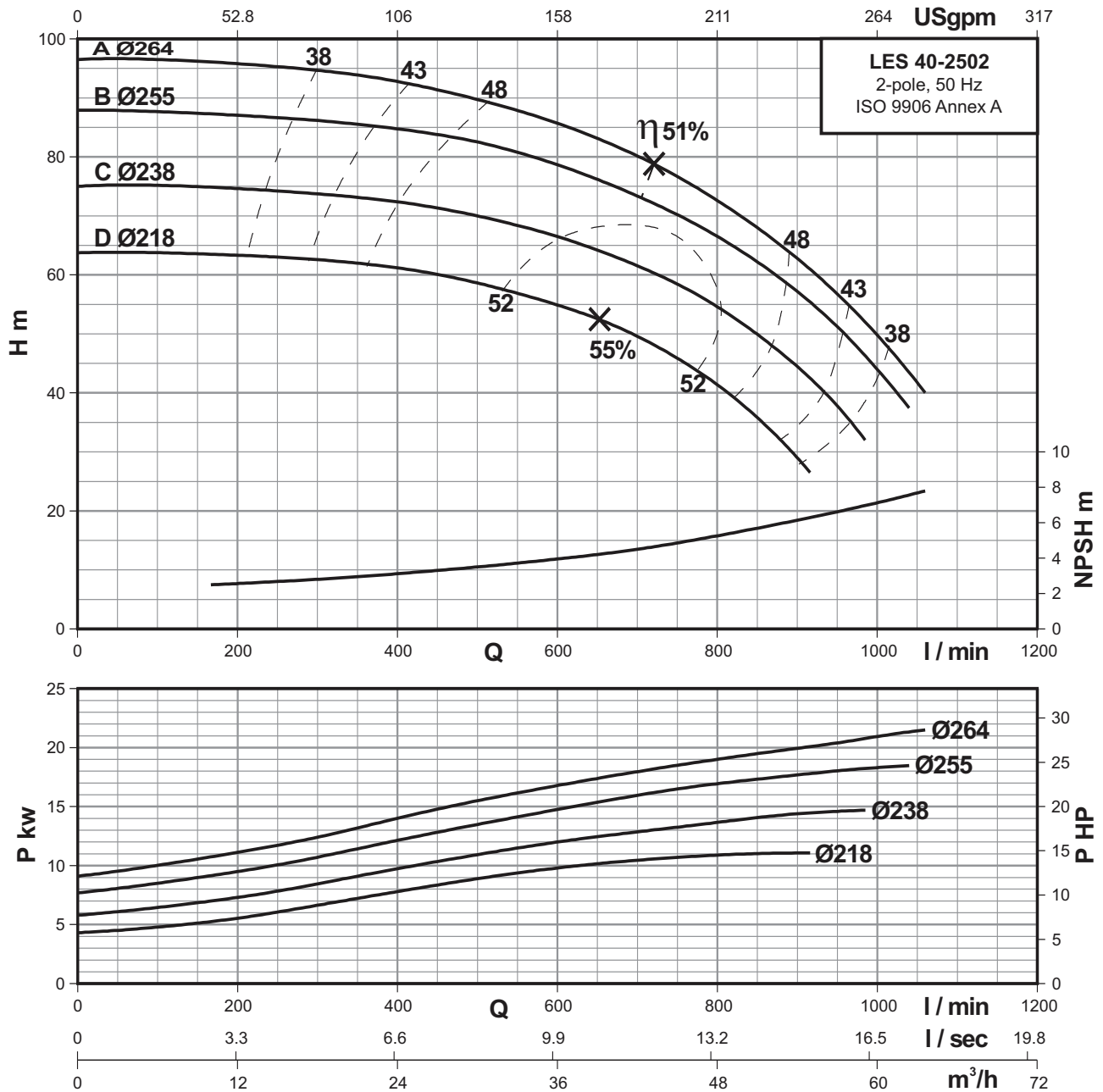
Power	[kw]	11	15	18.5	22
	[hp]	15	20	25	30
Frame		132M	160M	160L	160L
PN	[bar]	16	16	16	16
Code for Impeller diameter		D	C	B	A
DN _s	[mm]	65	65	65	65
DN _d	[mm]	40	40	40	40
a	[mm]	100	100	100	100
h ₂	[mm]	225	225	225	225
L	[mm]	210	230	230	230
h ₁	[mm]	180	180	180	180
G ₁	[mm]	160	160	160	160
G ₂	[mm]	170	170	170	170
m ₁	[mm]	125	125	125	125
m ₂	[mm]	95	95	95	95
n ₁	[mm]	320	320	320	320
n ₂	[mm]	250	250	250	250
b	[mm]	65	65	65	65
s	[mm]	14	14	14	14
H	[mm]	-	160	160	160
LB	[mm]	417	500	544	544
AD	[mm]	178	222	222	222
AG	[mm]	112	152	152	152
LL	[mm]	112	152	152	152
P	[mm]	225	254	254	254
C	[mm]	-	108	108	108
B	[mm]	-	210	254	254
A	[mm]	-	254	254	254
K	[mm]	-	15	15	15
Net Weight	[kg]	111	136	161	170
Gross Weight	[kg]	121	187	212	180
Volume	[m ³]	0.225	0.336	0.336	0.192

Performance curves

LES 40-2502

Single-stage end-suction pumps

2-pole



2 POLE

Performance Data At n=2900 RPM

MODEL	POWER		m³/h l/min	6	12	18	24	30	36	42	48	54	60
	KW	HP		100	200	300	400	500	600	700	800	900	1000
LES 40-2502D	11.0	15.0	H (m)	63.8	63.5	62	61	58.8	55	50	41	29	-
LES 40-2502C	15.0	20.0		75	74.8	74	72	70	66.3	61.3	55	45	-
LES 40-2502B	18.5	25.0		88.1	86.8	86	85	82.5	78.8	73.5	66.5	56.8	54
LES 40-2502A	22.0	30.0		96.5	96	94.5	93.3	90	86	80	72.7	62.7	50

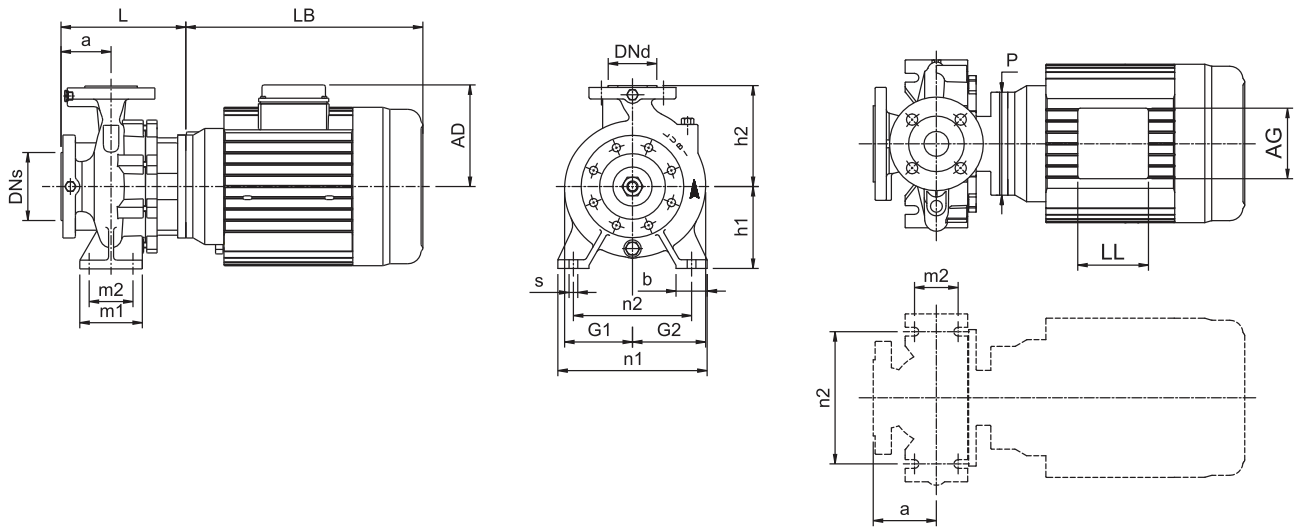
Technical Data

LES 50-1252

Single-stage end-suction pumps

2-pole

2 POLE



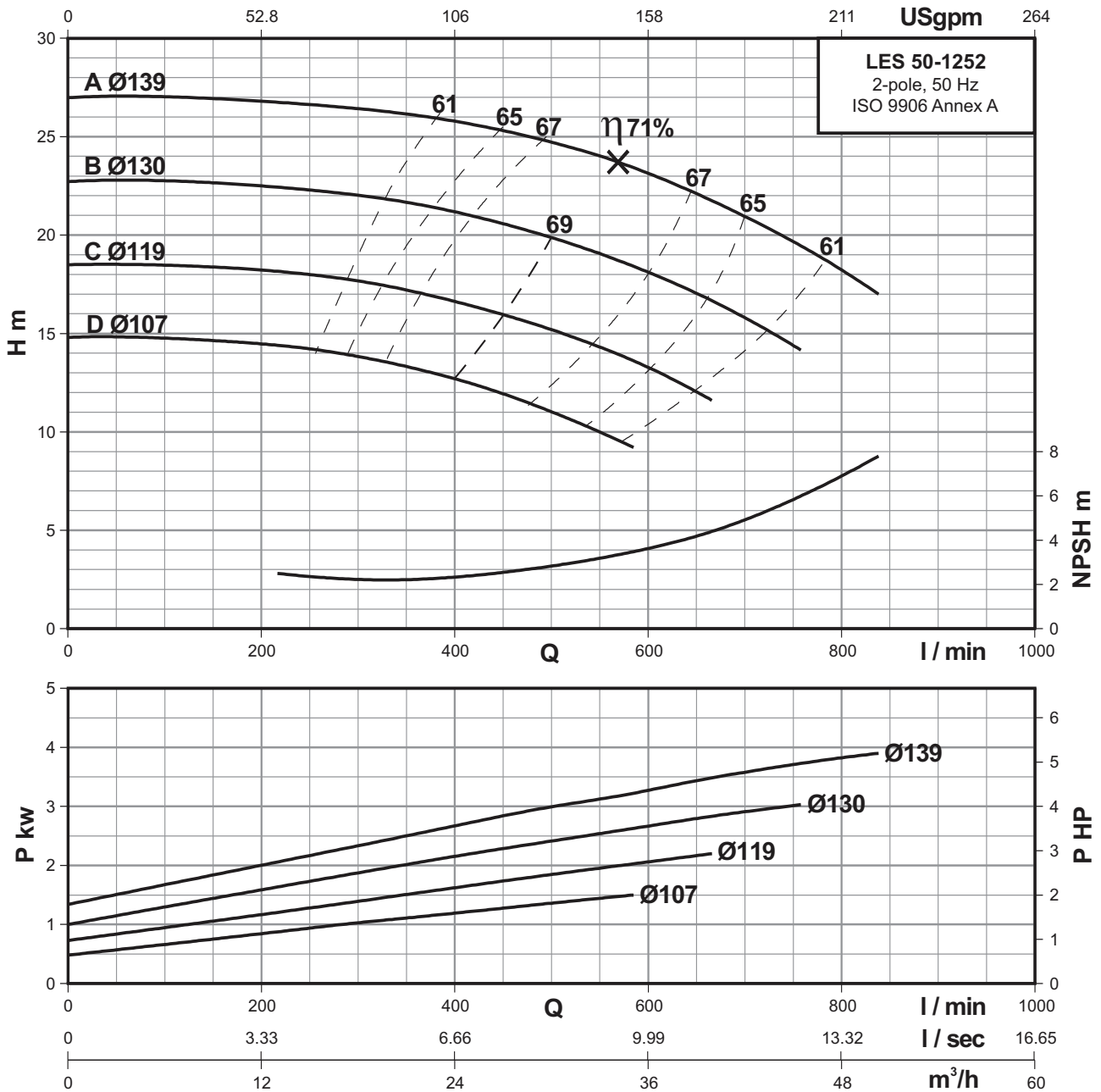
Power	[kw]	1.5	2.2	3	4
	[hp]	2	3	4	5.5
Frame		90L	112M	112M	112M
PN	[bar]	16	16	16	16
Code for Impeller diameter		D	C	B	A
DN1	[mm]	65	65	65	65
DNd	[mm]	50	50	50	50
a	[mm]	100	100	100	100
h2	[mm]	160	160	160	160
L	[mm]	250	194	194	194
h1	[mm]	132	132	132	132
G1	[mm]	98	98	98	98
G2	[mm]	113	113	113	113
m1	[mm]	100	100	100	100
m2	[mm]	70	70	70	70
n1	[mm]	240	240	240	240
n2	[mm]	190	190	190	190
b	[mm]	50	50	50	50
s	[mm]	14	14	14	14
H	[mm]	-	-	-	-
LB	[mm]	272	356	356	356
AD	[mm]	125	150	150	150
AG	[mm]	101	112	112	112
LL	[mm]	86	112	112	112
P	[mm]	200	165	165	165
C	[mm]	-	-	-	-
B	[mm]	-	-	-	-
A	[mm]	-	-	-	-
K	[mm]	-	-	-	-
Net Weight	[kg]	41	52	55	57
Gross Weight	[kg]	51	62	65	67
Volume	[m ³]	0.104	0.104	0.104	0.104

Performance curves

LES 50-1252

Single-stage end-suction pumps

2-pole



Performance Data At n=2900 RPM

MODEL	POWER		m ³ /h l/min	6	12	18	24	30	36	42	48
	KW	HP		100	200	300	400	500	600	700	800
LES 50-1252D	1.5	2.0	H (m)	14.9	14.5	13.9	12.8	11	8.9	-	-
LES 50-1252C	2.2	3.0		18.5	18.2	17.7	16.7	15.1	13.2	-	-
LES 50-1252B	3.0	4.0		22.9	22.5	22	21.1	19.9	18.1	15.9	-
LES 50-1252A	4.0	5.5		27	26.9	26.4	25.9	24.8	23.1	21	18.3

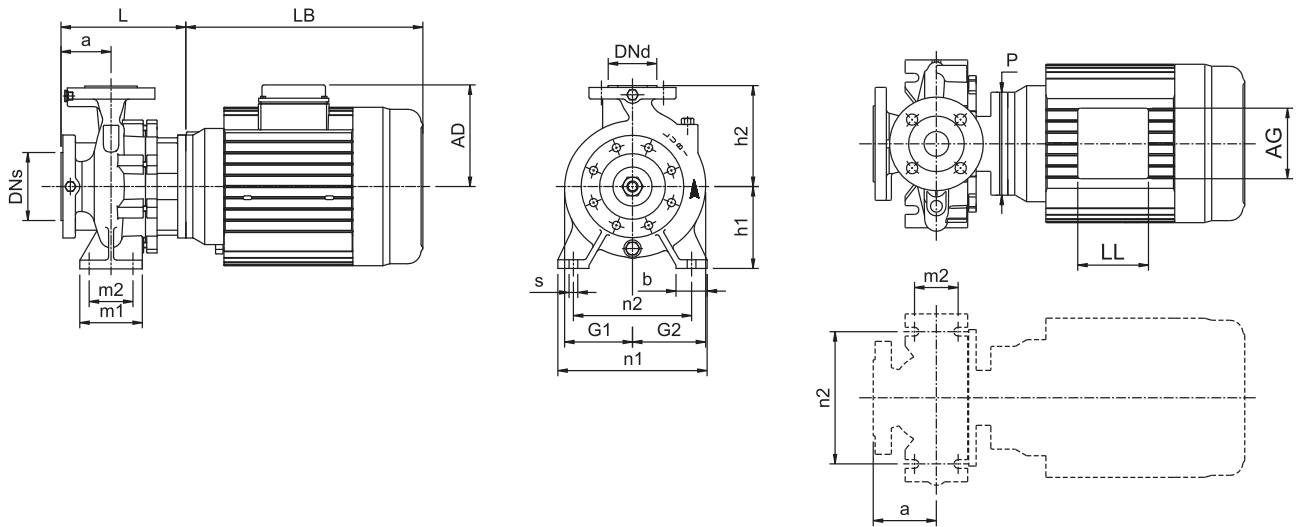
Technical Data

Single-stage end-suction pumps

LES 50-125L2

2-pole

2 POLE



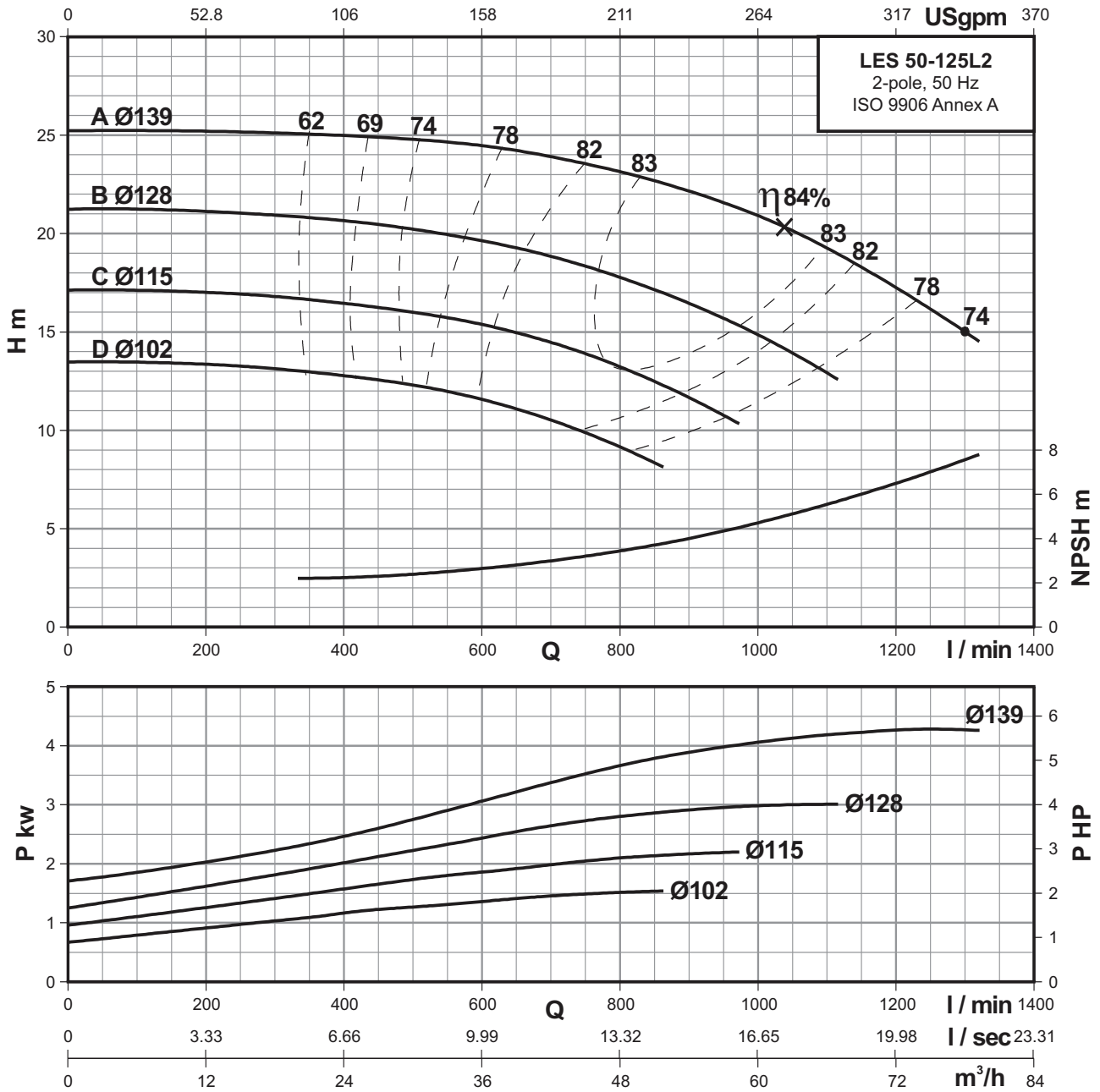
Power	[kw]	1.5	2.2	3	4
	[hp]	2	3	4	5.5
Frame		90L	112M	112M	112M
PN	[bar]	16	16	16	16
Code for Impeller diameter		D	C	B	A
DN _s	[mm]	65	65	65	65
DN _d	[mm]	50	50	50	50
a	[mm]	100	100	100	100
h ₂	[mm]	160	160	160	160
L	[mm]	250	194	194	194
h ₁	[mm]	132	132	132	132
G ₁	[mm]	105	105	105	105
G ₂	[mm]	125	125	125	125
m ₁	[mm]	100	100	100	100
m ₂	[mm]	70	70	70	70
n ₁	[mm]	240	240	240	240
n ₂	[mm]	190	190	190	190
b	[mm]	50	50	50	50
s	[mm]	14	14	14	14
H	[mm]	-	-	-	-
LB	[mm]	272	356	356	356
AD	[mm]	125	150	150	150
AG	[mm]	101	112	112	112
LL	[mm]	86	112	112	112
P	[mm]	200	165	165	165
C	[mm]	-	-	-	-
B	[mm]	-	-	-	-
A	[mm]	-	-	-	-
K	[mm]	-	-	-	-
Net Weight	[kg]	42	53	55	57
Gross Weight	[kg]	52	63	65	67
Volume	[m ³]	0.104	0.104	0.104	0.104

Performance curves

LES 50-125L2

Single-stage end-suction pumps

2-pole



2 POLE

Performance Data At n=2900 RPM

MODEL	POWER		m³/h l/min	12	18	24	30	36	42	48	60	72	78
	KW	HP		200	300	400	500	600	700	800	1000	1200	1300
LES 50-125L2D	1.5	2.0	H (m)	13.4	13.1	12.9	12.2	11.6	10.5	9.1	-	-	-
LES 50-125L2C	2.2	3.0		17	16.9	16.4	16	15.4	14.5	13.1	-	-	-
LES 50-125L2B	3.0	4.0		21.1	21	20.6	20.1	19.6	18.9	17.9	14.9	-	-
LES 50-125L2A	4.0	5.5		25.2	25.1	25	24.9	24.5	24	23.1	21	17.1	15

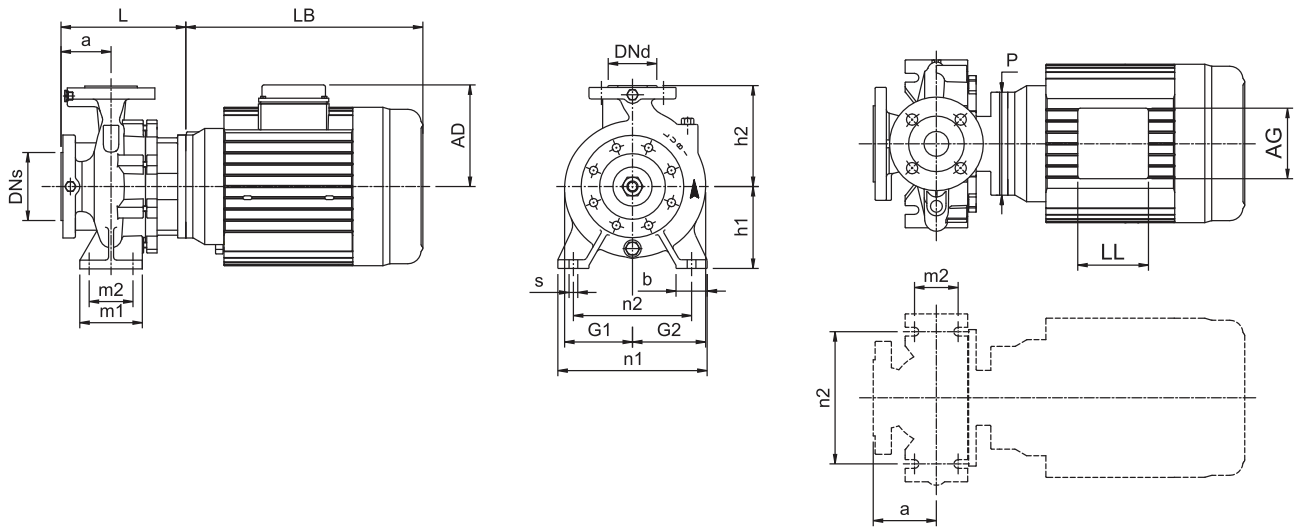
Technical Data

LES 50-1602

Single-stage end-suction pumps

2-pole

2 POLE



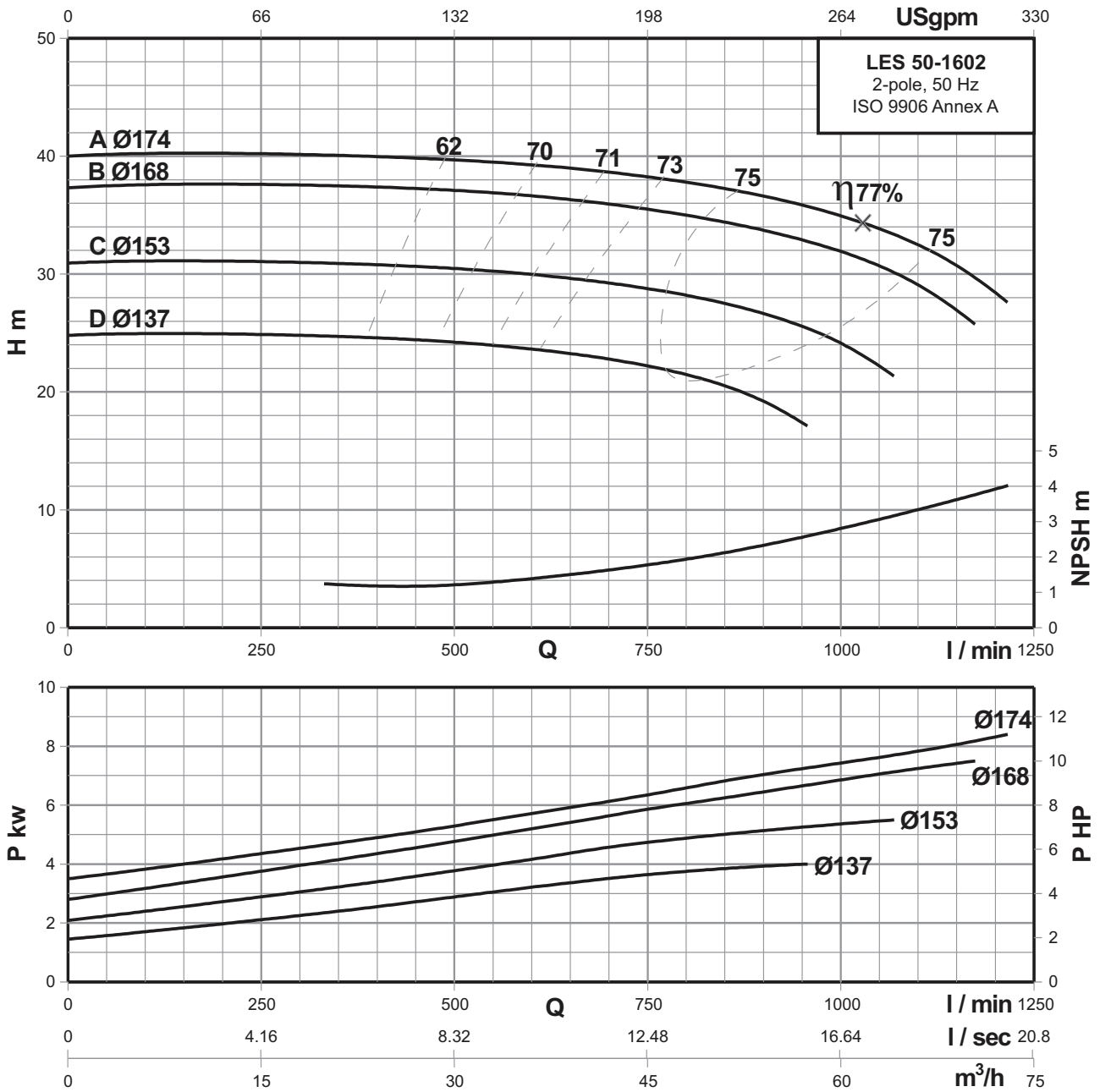
Power	[kw]	4	5.5	7.5	9.3
	[hp]	5.5	7.5	10	12.5
Frame		112M	112M	132M	132M
PN	[bar]	16	16	16	16
Code for Impeller diameter		D	C	B	A
DN1	[mm]	65	65	65	65
DNd	[mm]	50	50	50	50
a	[mm]	100	100	100	100
h2	[mm]	180	180	180	180
L	[mm]	194	194	200	200
h1	[mm]	160	160	160	160
G1	[mm]	121	121	121	121
G2	[mm]	138	138	138	138
m1	[mm]	100	100	100	100
m2	[mm]	70	70	70	70
n1	[mm]	265	265	265	265
n2	[mm]	212	212	212	212
b	[mm]	50	50	50	50
s	[mm]	14	14	14	14
H	[mm]	-	-	-	-
LB	[mm]	356	356	417	417
AD	[mm]	150	150	178	178
AG	[mm]	112	112	112	112
LL	[mm]	112	112	112	112
P	[mm]	165	165	225	225
C	[mm]	-	-	-	-
B	[mm]	-	-	-	-
A	[mm]	-	-	-	-
K	[mm]	-	-	-	-
Net Weight	[kg]	60	64	85	90
Gross Weight	[kg]	70	74	95	100
Volume	[m ³]	0.104	0.104	0.142	0.142

Performance curves

LES 50-1602

Single-stage end-suction pumps

2-pole



Performance Data At n=2900 RPM

MODEL	POWER		m ³ /h l/min	24	30	36	42	48	54	60	66
	KW	HP		400	500	600	700	800	900	1000	1100
LES 50-1602D	4.00	5.50	H (m)	24.5	24.2	23.8	23	21.5	19.2	-	-
LES 50-1602C	5.50	7.50		30.7	30.5	30	29.3	28.2	36.7	34	-
LES 50-1602B	7.50	10.0		37.5	37	36.7	36	35	33.8	32	29
LES 50-1602A	9.30	12.5		40	39.8	39.2	38.4	37.8	36.4	35	32.3

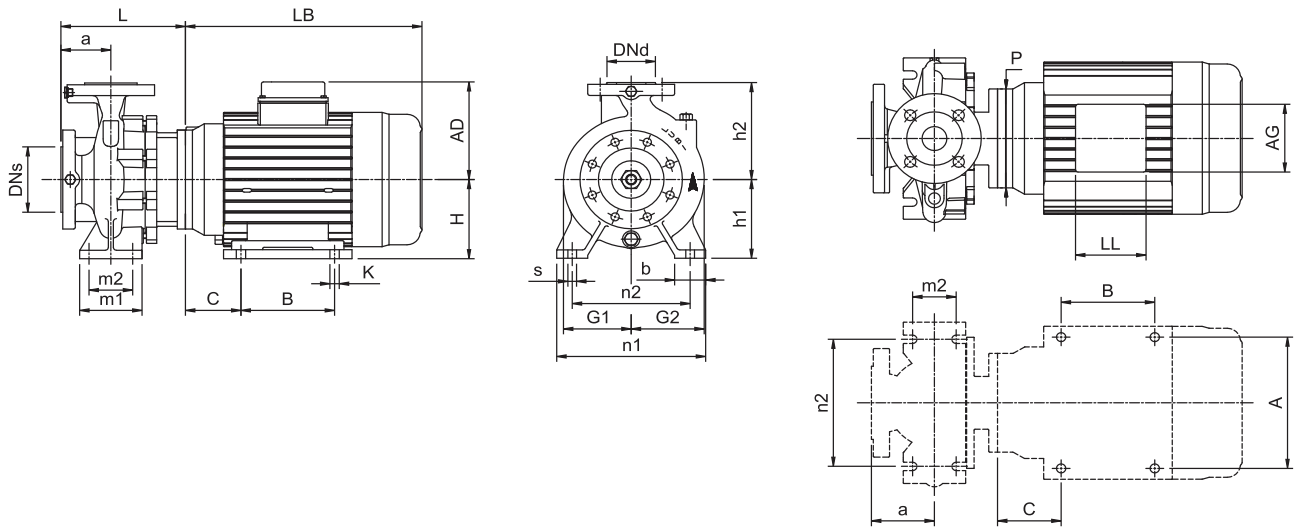
Technical Data

LES 50-2002

Single-stage end-suction pumps

2-pole

2 POLE



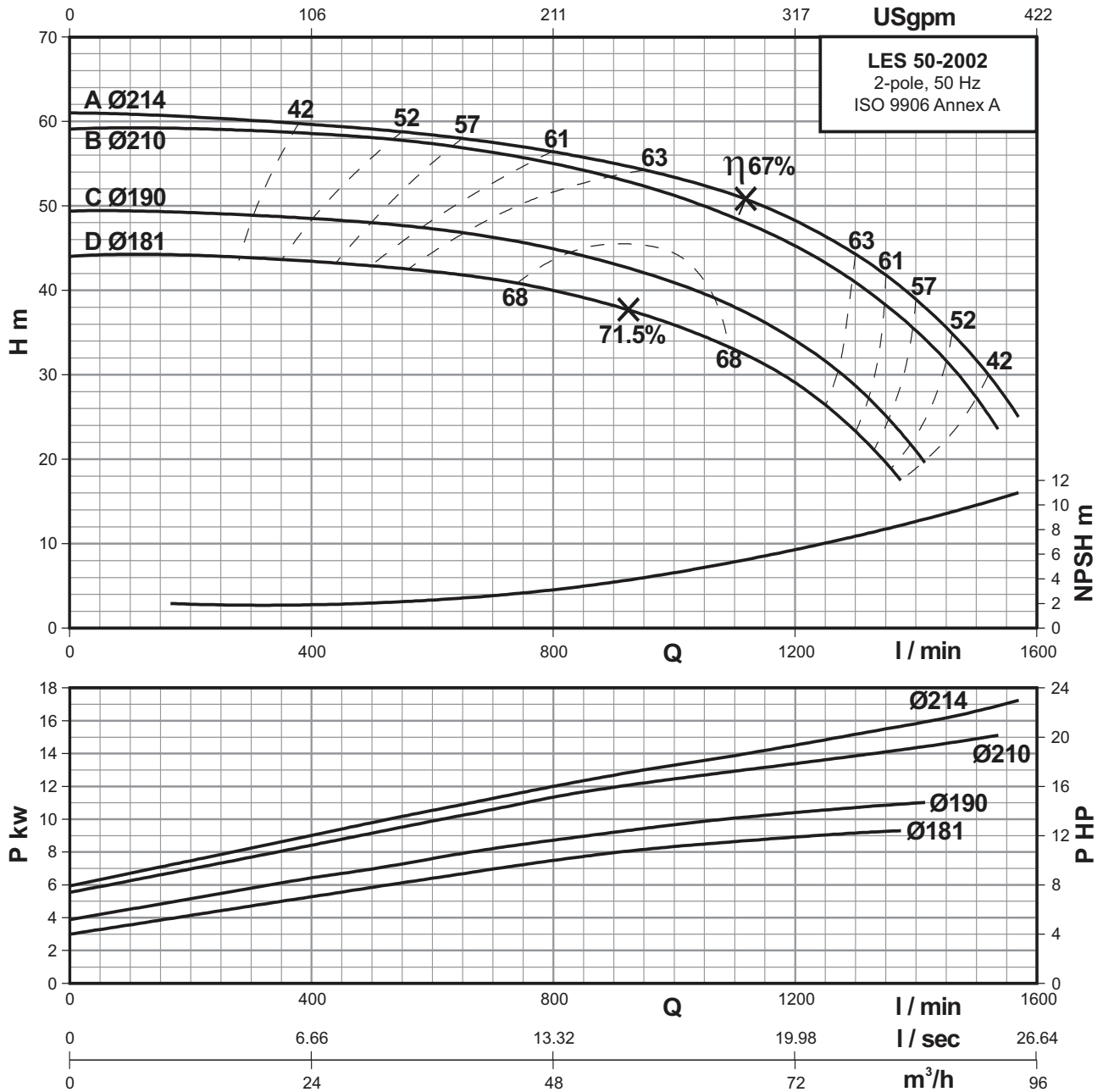
Power	[kw]	9.3	11	15	18.5
	[hp]	12.5	15	20	25
Frame		132M	132M	160M	160L
PN	[bar]	16	16	16	16
Code for Impeller diameter		D	C	B	A
DN _s	[mm]	65	65	65	65
DN _d	[mm]	50	50	50	50
a	[mm]	100	100	100	100
h ₂	[mm]	200	200	200	200
L	[mm]	210	210	226	226
h ₁	[mm]	160	160	160	160
G ₁	[mm]	140	140	140	140
G ₂	[mm]	155	155	155	155
m ₁	[mm]	100	100	100	100
m ₂	[mm]	70	70	70	70
n ₁	[mm]	265	265	265	265
n ₂	[mm]	212	212	212	212
b	[mm]	50	50	50	50
s	[mm]	14	14	14	14
H	[mm]	-	-	160	160
LB	[mm]	417	417	500	544
AD	[mm]	178	178	222	222
AG	[mm]	112	112	152	152
LL	[mm]	112	112	152	152
P	[mm]	225	225	254	254
C	[mm]	-	-	108	108
B	[mm]	-	-	210	254
A	[mm]	-	-	254	254
K	[mm]	-	-	15	15
Net Weight	[kg]	96	101	125	150
Gross Weight	[kg]	106	111	176	201
Volume	[m ³]	0.142	0.142	0.336	0.336

Performance curves

LES 50-2002

Single-stage end-suction pumps

2-pole



Performance Data At n=2900 RPM

MODEL	POWER		m ³ /h l/min	12	18	24	30	36	42	48	60	72	84	90
	KW	HP		200	300	400	500	600	700	800	1000	1200	1400	1500
LES 50-2002D	9.3	12.5	H (m)	44	43.9	43.5	43	42.1	41.3	40	36	29	-	-
LES 50-2002C	11.0	15.0		49.2	48.9	48.5	48	47.3	46.2	45	40.8	34	21	-
LES 50-2002B	15.0	20.0		59.1	59	58.5	58	57.5	56.1	55	51.2	45.2	35	27
LES 50-2002A	18.5	25.0		60.5	60	59.8	59	58.3	57.5	56.2	53.5	48	39	32

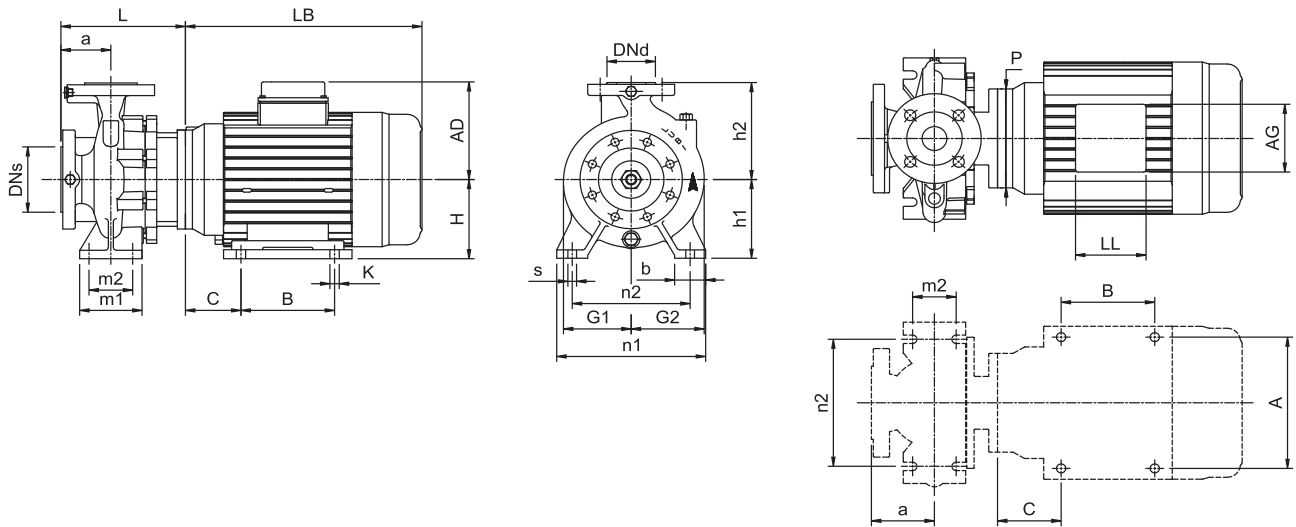
Technical Data

LES 50-2502

Single-stage end-suction pumps

2-pole

2 POLE



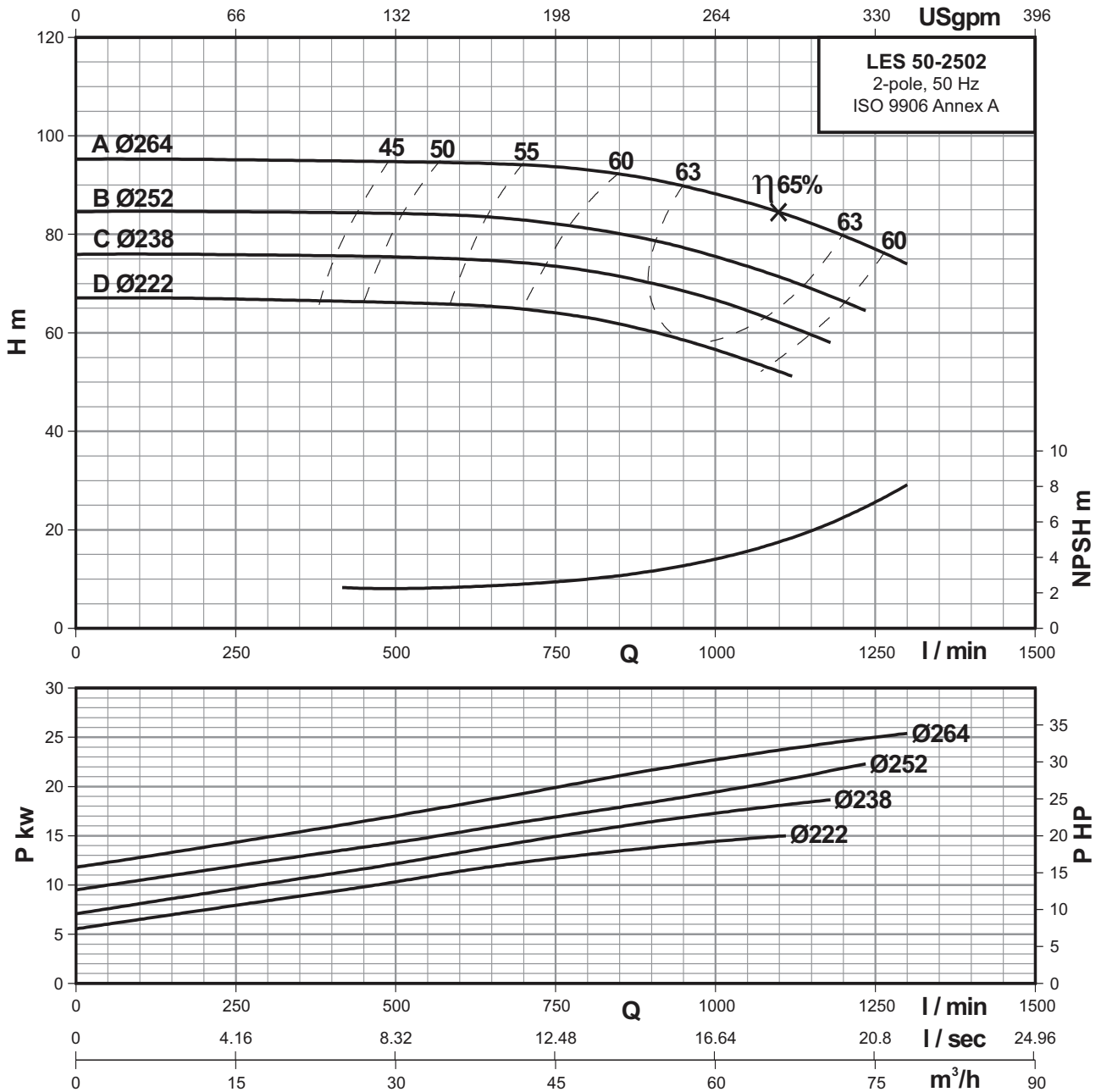
Power	[kw]	15	18.5	22	30
	[hp]	20	25	30	40
Frame		160M	160L	160L	200L
PN	[bar]	16	16	16	16
Code for Impeller diameter		D	C	B	A
DNs	[mm]	65	65	65	65
Dnd	[mm]	50	50	50	50
a	[mm]	100	100	100	100
h2	[mm]	225	225	225	225
L	[mm]	230	230	230	380
h1	[mm]	180	180	180	180
G1	[mm]	161	161	161	161
G2	[mm]	175	175	175	175
m1	[mm]	125	125	125	125
m2	[mm]	95	95	95	95
n1	[mm]	320	320	320	320
n2	[mm]	250	250	250	250
b	[mm]	65	65	65	65
s	[mm]	14	14	14	14
H	[mm]	160	160	160	200
LB	[mm]	500	544	544	688
AD	[mm]	222	222	222	306
AG	[mm]	152	152	152	263
LL	[mm]	152	152	152	195
P	[mm]	254	254	254	400
C	[mm]	108	108	108	133
B	[mm]	210	254	254	308
A	[mm]	254	254	254	318
K	[mm]	15	15	15	19
Net Weight	[kg]	138	163	172	339
Gross Weight	[kg]	189	214	223	409
Volume	[m ³]	0.336	0.336	0.336	0.552

Performance curves

LES 50-2502

Single-stage end-suction pumps

2-pole



Performance Data At n=2900 RPM

MODEL	POWER		m³/h l/min	12	18	24	30	36	42	48	60	72	78
	KW	HP		200	300	400	500	600	700	800	1000	1200	1300
LES 50-2502D	15.0	20.0	H (m)	67	66.5	66.4	66.2	66	65	63.6	56.6	-	-
LES 50-2502C	18.5	25.0		76	75.8	75.7	75.5	75	74.2	72	66.5	56	-
LES 50-2502B	22.0	30.0		84	83.9	83.8	83.7	83.6	83.4	81.3	75.5	66	-
LES 50-2502A	30.0	40.0		95	94.9	94.8	94.5	94.3	94	93.5	87.6	80	74

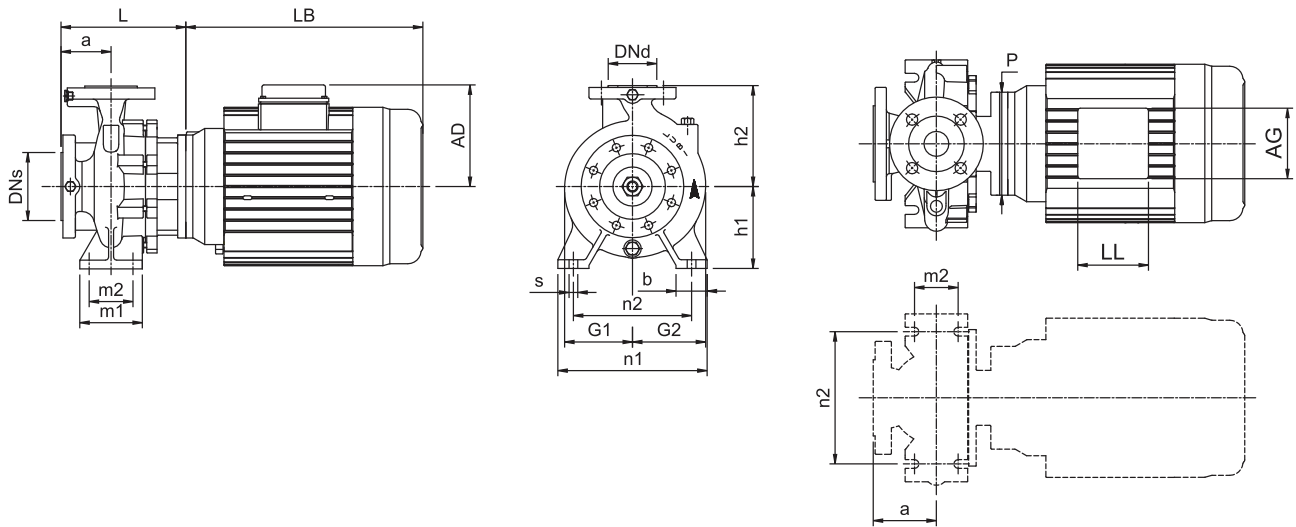
Technical Data

LES 65-1252

Single-stage end-suction pumps

2-pole

2 POLE



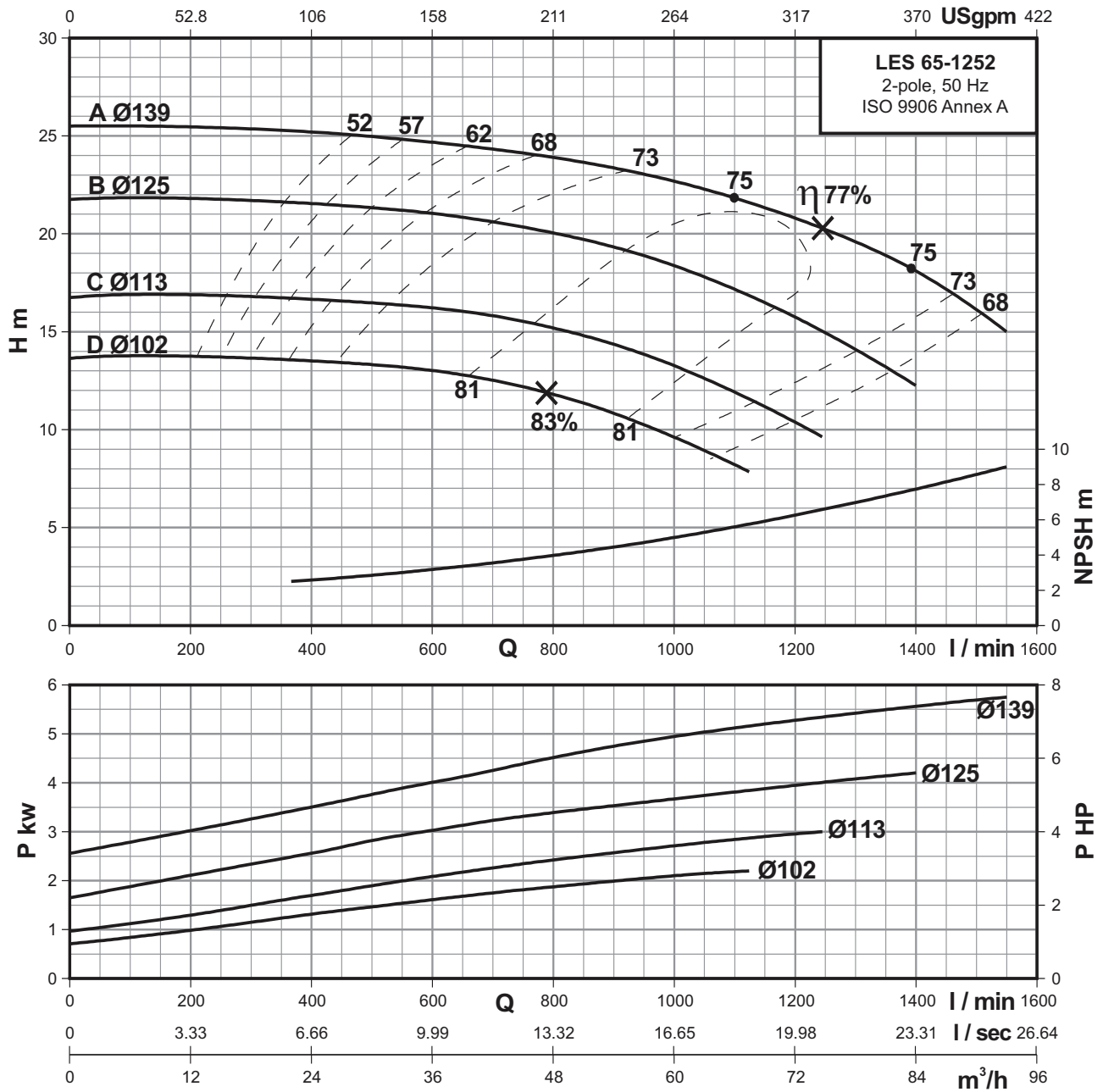
Power	[kw]	2.2	3	4	5.5
	[hp]	3	4	5.5	7.5
Frame		112M	112M	112M	112M
PN	[bar]	16	16	16	16
Code for Impeller diameter		D	C	B	A
DN1	[mm]	80	80	80	80
DNd	[mm]	65	65	65	65
a	[mm]	100	100	100	100
h2	[mm]	180	180	180	180
L	[mm]	194	194	194	194
h1	[mm]	160	160	160	160
G1	[mm]	104	104	104	104
G2	[mm]	129	129	129	129
m1	[mm]	125	125	125	125
m2	[mm]	95	95	95	95
n1	[mm]	280	280	280	280
n2	[mm]	212	212	212	212
b	[mm]	65	65	65	65
s	[mm]	14	14	14	14
H	[mm]	-	-	-	-
LB	[mm]	356	356	356	356
AD	[mm]	150	150	150	150
AG	[mm]	112	112	112	112
LL	[mm]	112	112	112	112
P	[mm]	165	165	165	165
C	[mm]	-	-	-	-
B	[mm]	-	-	-	-
A	[mm]	-	-	-	-
K	[mm]	-	-	-	-
Net Weight	[kg]	57	60	62	66
Gross Weight	[kg]	67	70	72	76
Volume	[m ³]	0.104	0.104	0.104	0.104

Performance curves

LES 65-1252

Single-stage end-suction pumps

2-pole



Performance Data At n=2900 RPM

MODEL	POWER		m ³ /h l/min	12	18	24	30	36	42	48	60	72	84	90
	KW	HP		200	300	400	500	600	700	800	1000	1200	1400	1500
LES 65-1252D	2.2	3.0	H (m)	13.9	13.7	13.5	13.2	13	12.5	11.9	9.6	-	-	-
LES 65-1252C	3.0	4.0		17	16.8	16.6	16.5	16.1	15.8	15.1	13.3	10.5	-	-
LES 65-1252B	4.0	5.5		21.9	21.8	21.5	21.2	21	20.6	20	18.4	15.9	12.2	-
LES 65-1252A	5.5	7.5		25.4	25.3	25.2	25	24.8	24.3	23.9	22.6	21	18	16

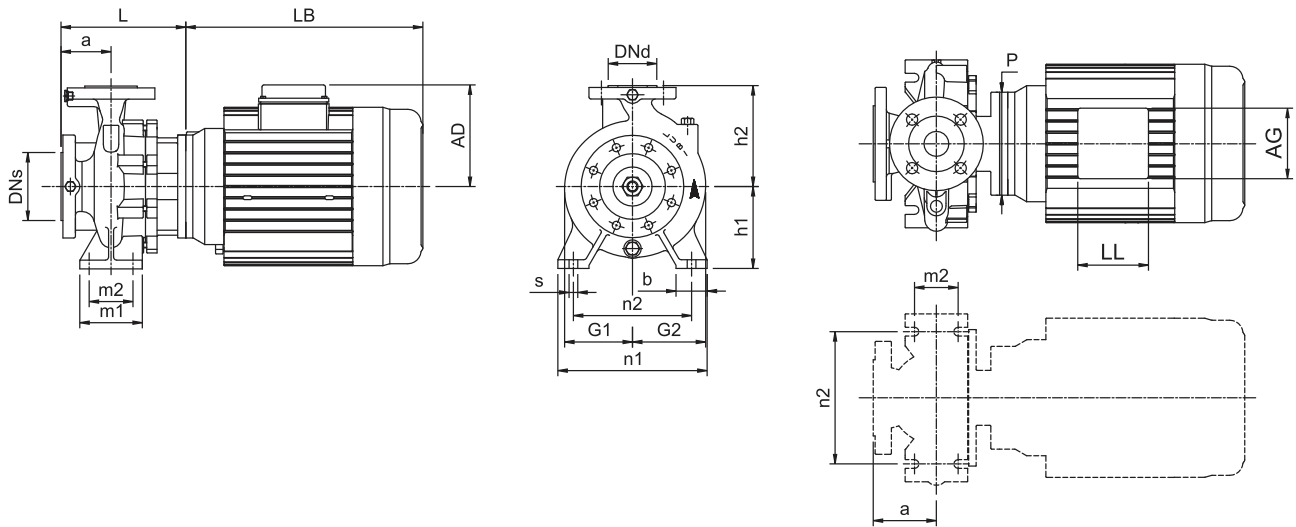
Technical Data

Single-stage end-suction pumps

LES 65-1602

2-pole

2 POLE



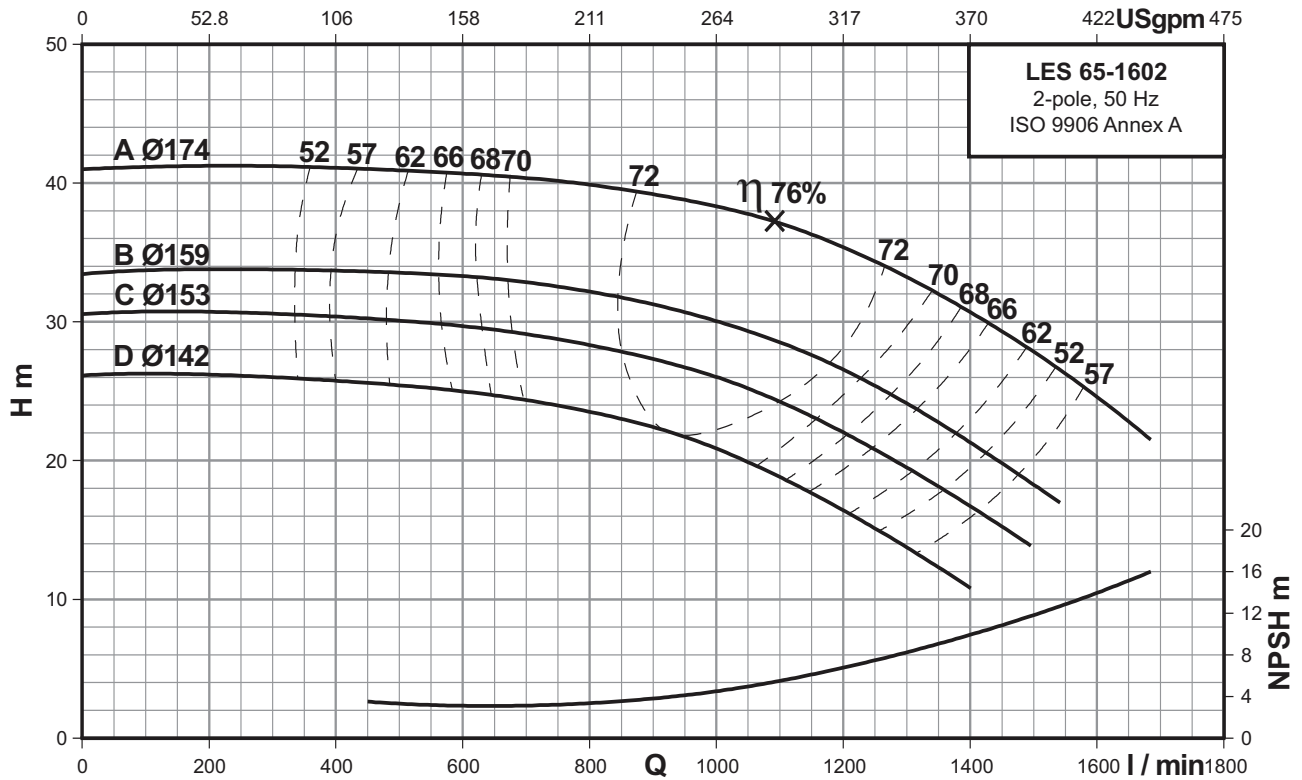
Power	[kw]	5.5	7.5	9.3	11
	[hp]	7.5	10	12.5	15
Frame		112M	132M	132M	132M
PN	[bar]	16	16	16	16
Code for Impeller diameter		D	C	B	A
DN _s	[mm]	80	80	80	80
DN _d	[mm]	65	65	65	65
a	[mm]	100	100	100	100
h ₂	[mm]	200	200	200	200
L	[mm]	194	200	200	200
h ₁	[mm]	160	160	160	160
G ₁	[mm]	120	120	120	120
G ₂	[mm]	140	140	140	140
m ₁	[mm]	125	125	125	125
m ₂	[mm]	95	95	95	95
n ₁	[mm]	280	280	280	280
n ₂	[mm]	212	212	212	212
b	[mm]	65	65	65	65
s	[mm]	14	14	14	14
H	[mm]	-	-	-	-
LB	[mm]	356	417	417	417
AD	[mm]	150	178	178	178
AG	[mm]	112	112	112	112
LL	[mm]	112	112	112	112
P	[mm]	165	225	225	225
C	[mm]	-	-	-	-
B	[mm]	-	-	-	-
A	[mm]	-	-	-	-
K	[mm]	-	-	-	-
Net Weight	[kg]	69	90	95	100
Gross Weight	[kg]	79	100	105	110
Volume	[m ³]	0.104	0.142	0.142	0.142

Performance curves

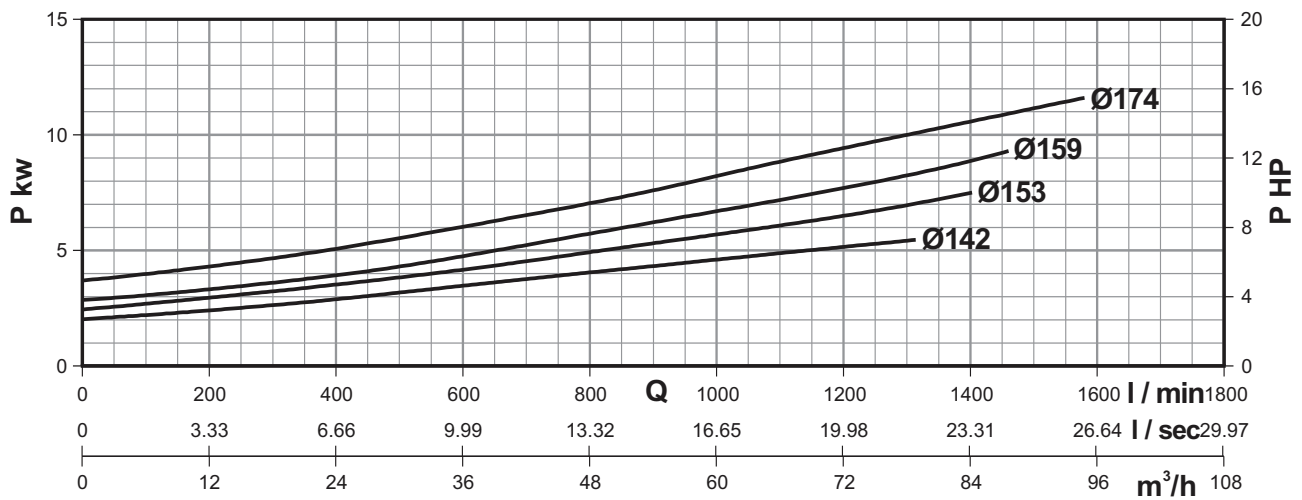
LES 65-1602

Single-stage end-suction pumps

2-pole



2 POLE



Performance Data At n=2900 RPM

MODEL	POWER		m³/h l/min	12	18	24	30	36	48	60	72	84	96	102
	KW	HP		200	300	400	500	600	800	1000	1200	1400	1600	1700
LES 65-1602D	5.5	7.5	H (m)	26.2	26	25.9	25.6	25	23.6	20.8	16.2	10.9	-	-
LES 65-1602C	7.5	10.0		30.8	30.7	30.3	30.1	29.8	28.2	26	22	16.6	-	-
LES 65-1602B	9.3	12.5		33.9	33.8	33.7	33.6	33.2	32.1	30	26.4	21.2	-	-
LES 65-1602A	11.0	15.0		41.2	41.1	41	40.9	40.8	39.9	38.2	35.5	30.5	24.4	21

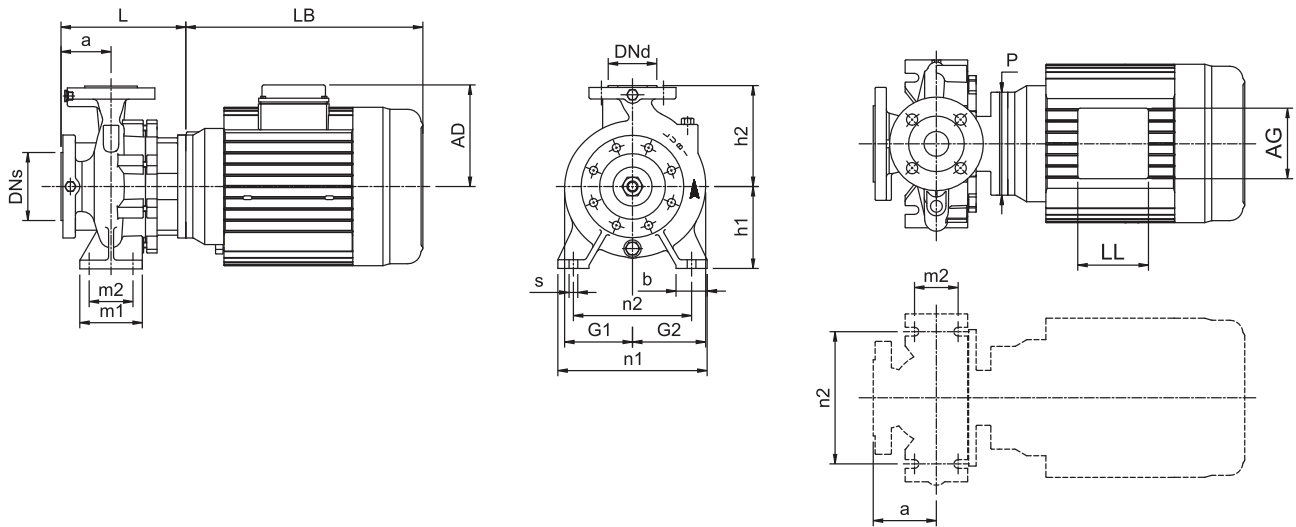
Technical Data

Single-stage end-suction pumps

LES 65-160L2

2-pole

2 POLE



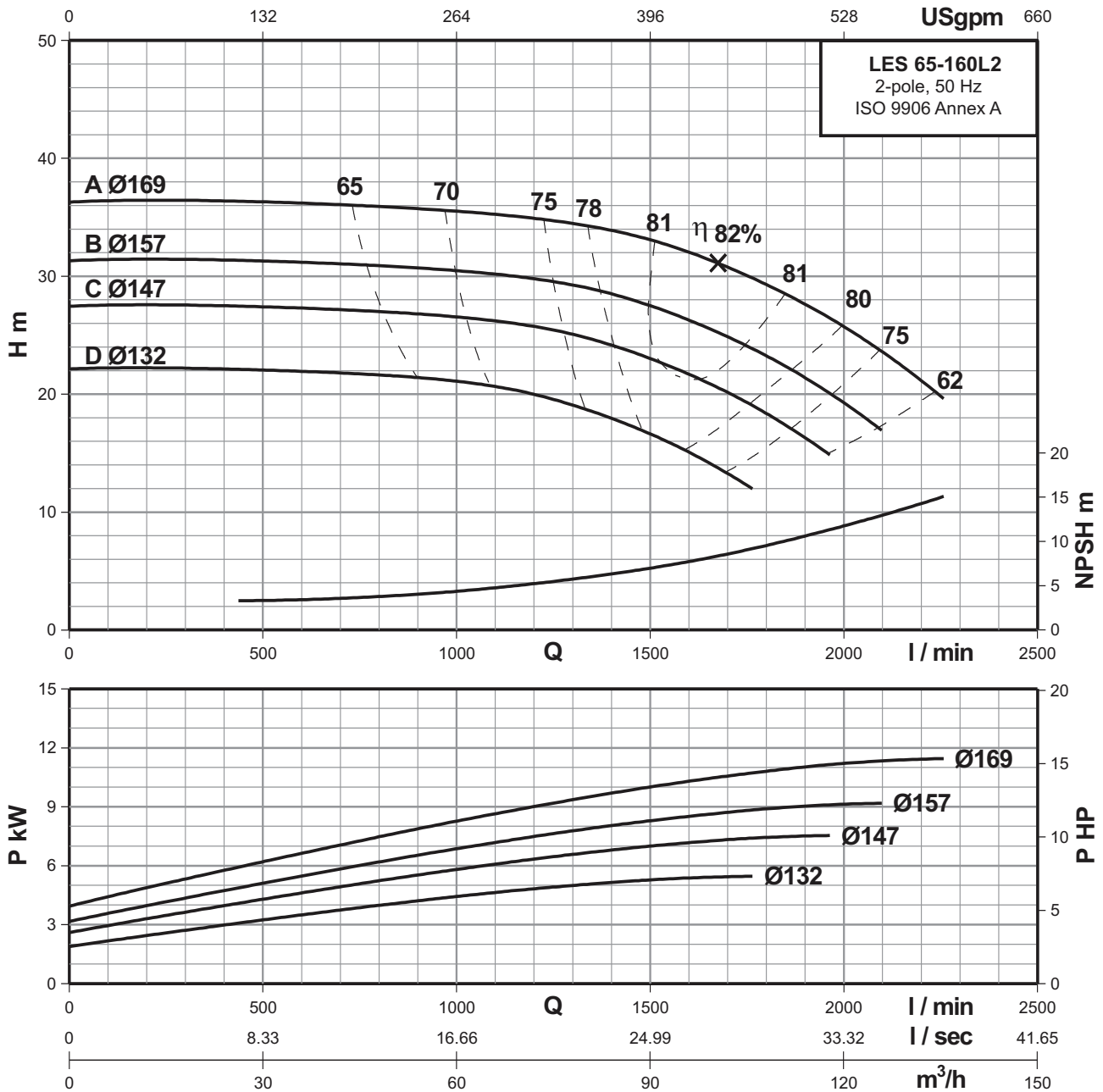
Power	[kw]	5.5	7.5	9.3	11
	[hp]	7.5	10	12.5	15
Frame		112M	132M	132M	132M
PN	[bar]	16	16	16	16
Code for Impeller diameter		D	C	B	A
DN1	[mm]	80	80	80	80
DNd	[mm]	65	65	65	65
a	[mm]	100	100	100	100
h2	[mm]	200	200	200	200
L	[mm]	194	200	200	200
h1	[mm]	160	160	160	160
G1	[mm]	120	120	120	120
G2	[mm]	140	140	140	140
m1	[mm]	125	125	125	125
m2	[mm]	95	95	95	95
n1	[mm]	280	280	280	280
n2	[mm]	212	212	212	212
b	[mm]	65	65	65	65
s	[mm]	14	14	14	14
H	[mm]	-	-	-	-
LB	[mm]	356	417	417	417
AD	[mm]	150	178	178	178
AG	[mm]	112	112	112	112
LL	[mm]	112	112	112	112
P	[mm]	165	225	225	225
C	[mm]	-	-	-	-
B	[mm]	-	-	-	-
A	[mm]	-	-	-	-
K	[mm]	-	-	-	-
Net Weight	[kg]	69	90	95	100
Gross Weight	[kg]	79	100	105	110
Volume	[m ³]	0.104	0.142	0.142	0.142

Performance curves

LES 65-160L2

Single-stage end-suction pumps

2-pole



Performance Data At n=2900 RPM

MODEL	POWER		m³/h l/min	15	30	45	60	75	90	105	120	135
	KW	HP		250	500	750	1000	1250	1500	1750	2000	2250
LES 65-160L2D	5.5	7.5	H (m)	22.1	22	21.8	21	19.5	16.4	12	-	-
LES 65-160L2C	7.5	10.0		27.5	27.4	27	26.5	25.5	23	19.1	14	-
LES 65-160L2B	9.3	12.5		31.5	31.4	31	30.5	29.8	27.8	24	19.3	-
LES 65-160L2A	11.0	15.0		36.5	36.2	36	35.6	34.8	33.1	30	25.8	20

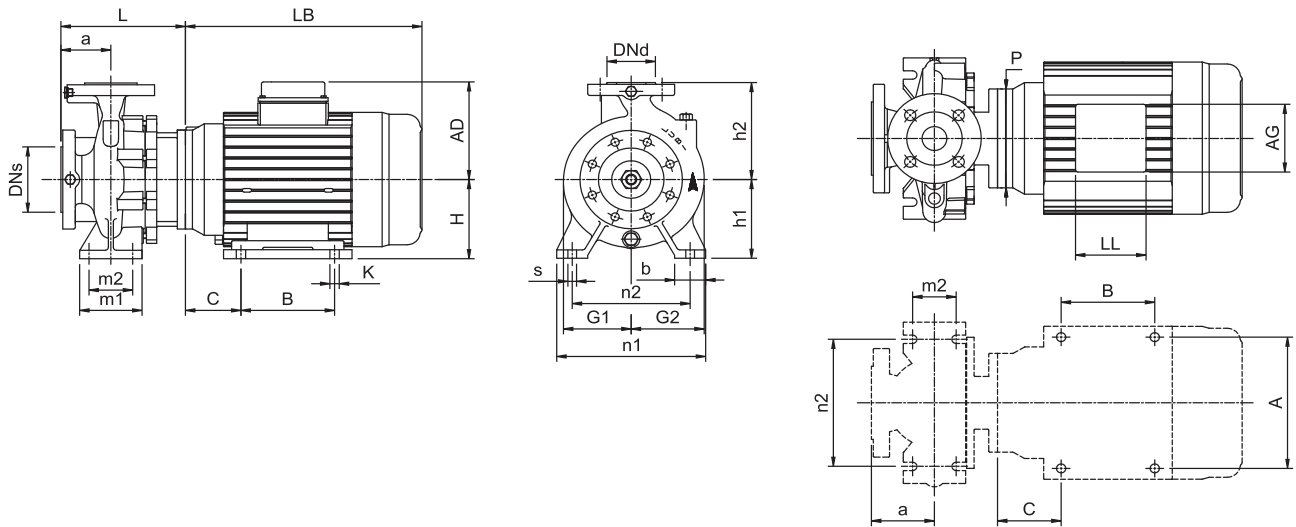
Technical Data

LES 65-2002

Single-stage end-suction pumps

2-pole

2 POLE



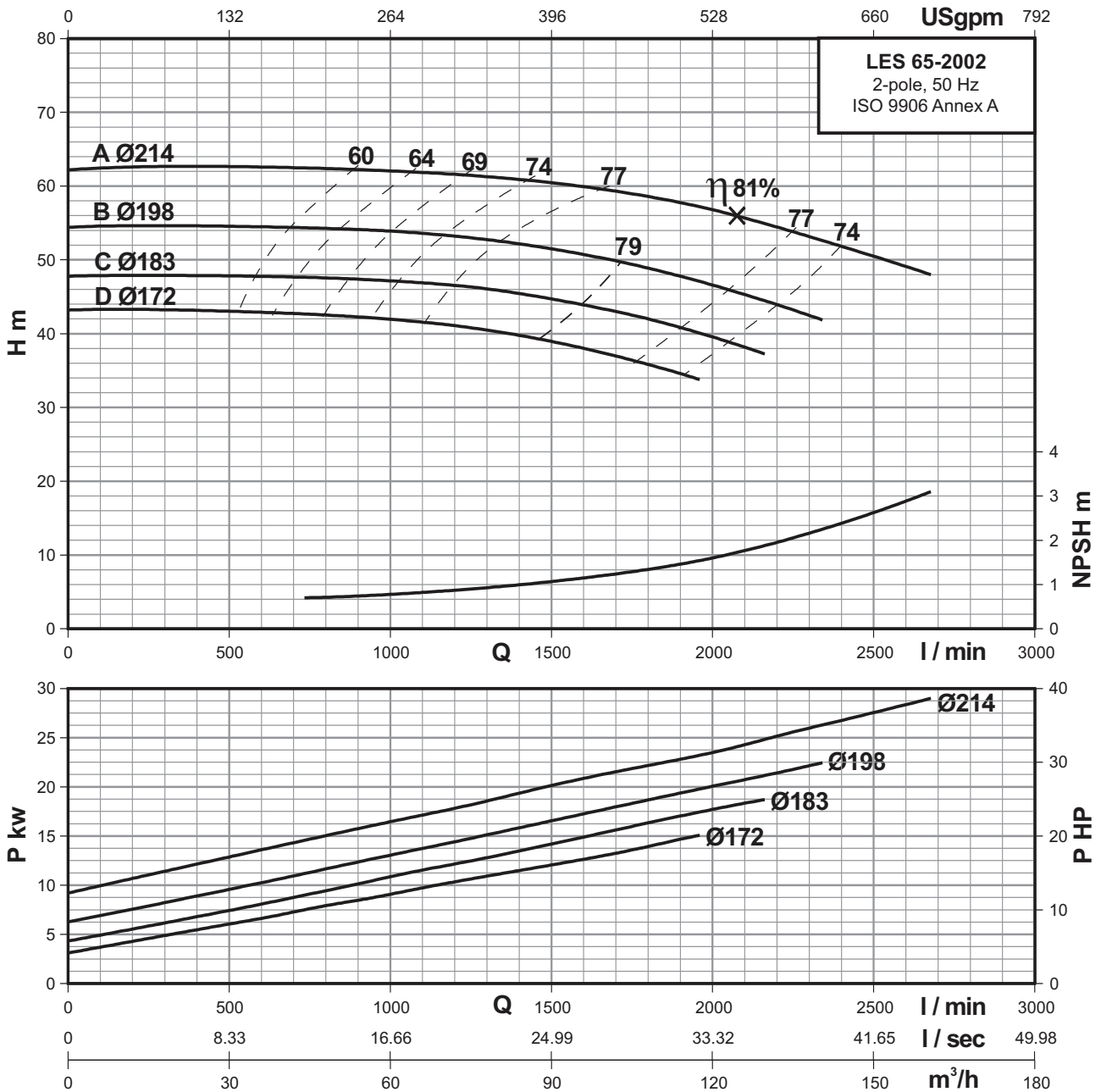
Power	[kw]	15	18.5	22	30
	[hp]	20	25	30	40
Frame		160M	160L	160L	200L
PN	[bar]	16	16	16	16
Code for Impeller diameter		D	C	B	A
DNs	[mm]	80	80	80	80
Dnd	[mm]	65	65	65	65
a	[mm]	100	100	100	100
h2	[mm]	225	225	225	225
L	[mm]	226	226	226	376
h1	[mm]	180	180	180	180
G1	[mm]	150	150	150	150
G2	[mm]	173	173	173	173
m1	[mm]	125	125	125	125
m2	[mm]	95	95	95	95
n1	[mm]	320	320	320	320
n2	[mm]	250	250	250	250
b	[mm]	65	65	65	65
s	[mm]	14	14	14	14
H	[mm]	160	160	160	200
LB	[mm]	500	544	544	688
AD	[mm]	222	222	222	306
AG	[mm]	152	152	152	263
LL	[mm]	152	152	152	195
P	[mm]	254	254	254	400
C	[mm]	108	108	108	133
B	[mm]	210	254	254	308
A	[mm]	254	254	254	318
K	[mm]	15	15	15	19
Net Weight	[kg]	131	156	165	333
Gross Weight	[kg]	182	207	216	403
Volume	[m ³]	0.336	0.336	0.336	0.552

Performance curves

LES 65-2002

Single-stage end-suction pumps

2-pole



2 POLE

Performance Data At n=2900 RPM

MODEL	POWER		m ³ /h l/min	18	36	54	72	90	108	126	144	162
	KW	HP		300	600	900	1200	1500	1800	2100	2400	2700
LES 65-2002D	15.0	20.0	H (m)	43.3	42.9	42.2	41	39	36	-	-	-
LES 65-2002C	18.5	25.0		47.9	47.8	47.5	46.4	44.5	42	38	-	-
LES 65-2002B	22.0	30.0		54.5	54.3	54	53.2	51.5	48.8	45.3	41	-
LES 65-2002A	30.0	40.0		62.5	62.3	62	61.6	60.2	58.5	55.8	52	47.5

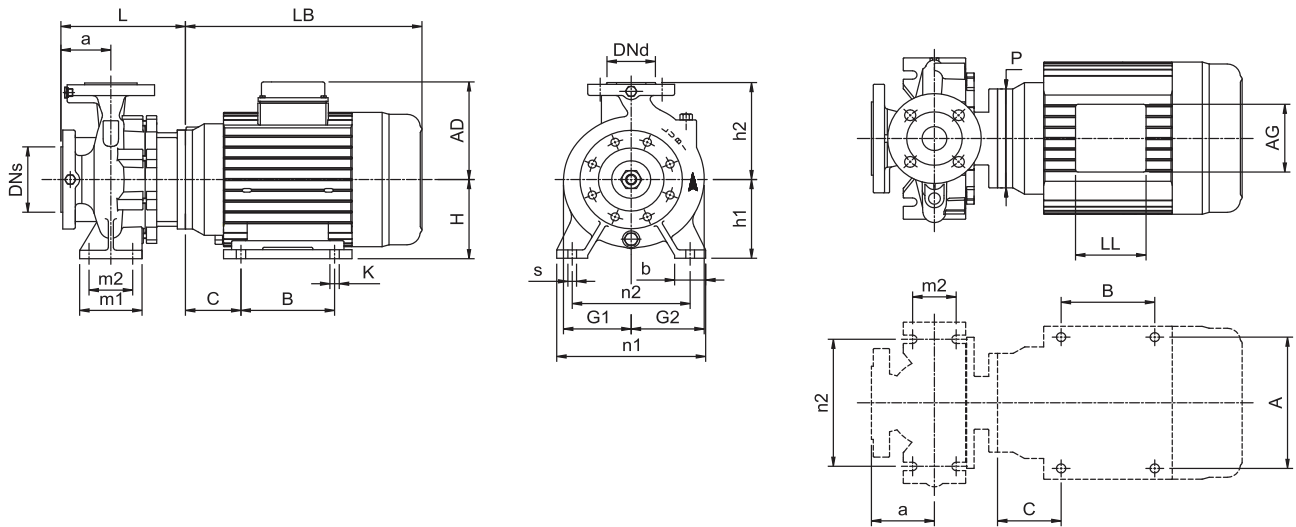
Technical Data

LES 65-2502

Single-stage end-suction pumps

2-pole

2 POLE



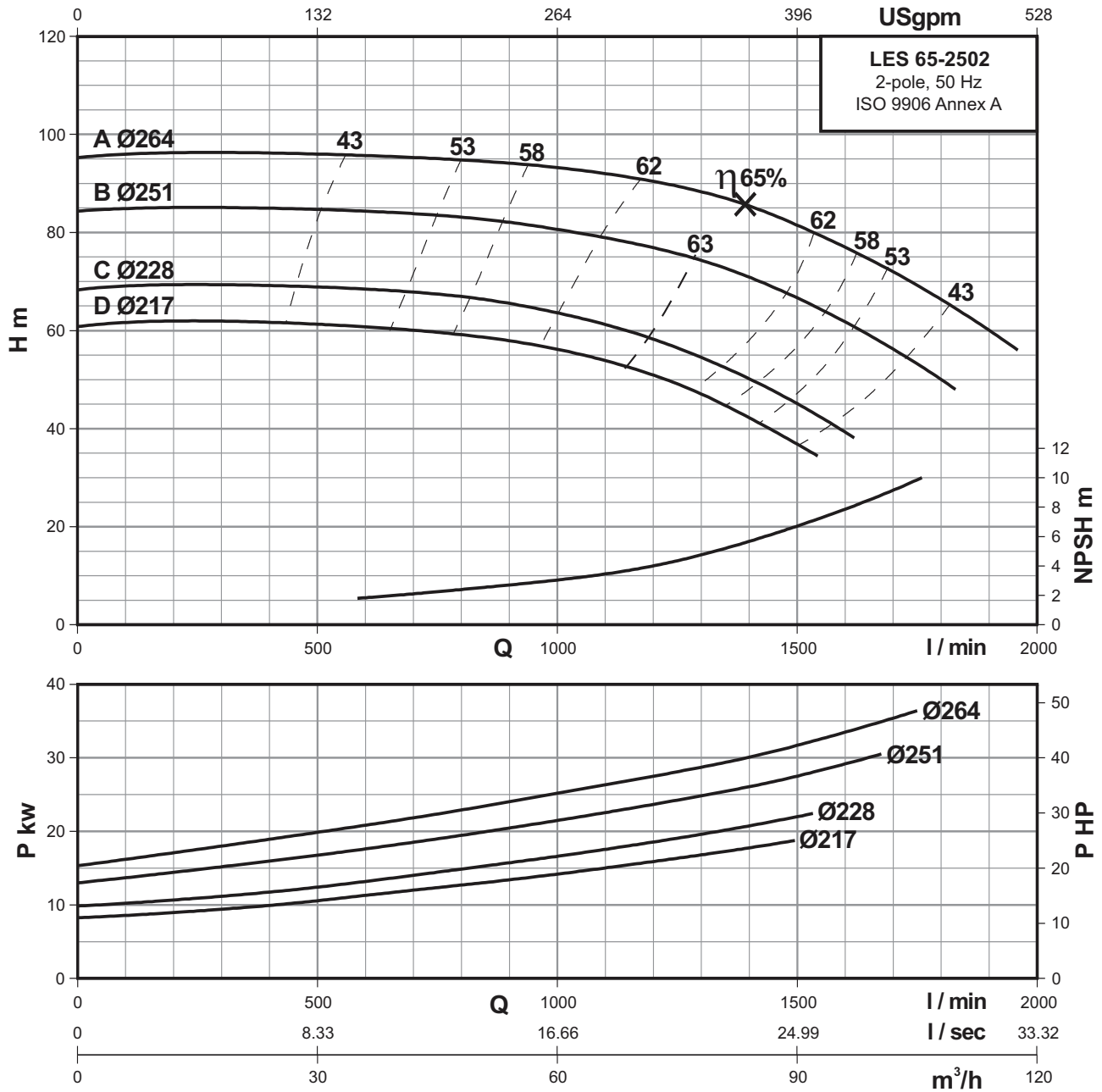
Power	[kw]	18.5	22	30	37
	[hp]	25	30	40	50
Frame		160L	160L	200L	200L
PN	[bar]	16	16	16	16
Code for Impeller diameter		D	C	B	A
DNs	[mm]	80	80	80	80
Dnd	[mm]	65	65	65	65
a	[mm]	100	100	100	100
h2	[mm]	250	250	250	250
L	[mm]	237	237	387	387
h1	[mm]	200	200	200	200
G1	[mm]	165	165	165	165
G2	[mm]	183	183	183	183
m1	[mm]	160	160	160	160
m2	[mm]	120	120	120	120
n1	[mm]	360	360	360	360
n2	[mm]	280	280	280	280
b	[mm]	80	80	80	80
s	[mm]	18	18	18	18
H	[mm]	160	160	200	200
LB	[mm]	544	544	688	688
AD	[mm]	222	222	306	306
AG	[mm]	152	152	263	263
LL	[mm]	152	152	195	195
P	[mm]	254	254	400	400
C	[mm]	108	108	133	133
B	[mm]	254	254	308	308
A	[mm]	254	254	318	318
K	[mm]	15	15	19	19
Net Weight	[kg]	173	182	350	370
Gross Weight	[kg]	229	238	420	440
Volume	[m ³]	0.378	0.378	0.552	0.552

Performance curves

LES 65-2502

Single-stage end-suction pumps

2-pole



2 POLE

Performance Data At n=2900 RPM

MODEL	POWER		m³/h l/min	18	24	30	36	48	60	72	84	96	108	114
	KW	HP		300	400	500	600	800	1000	1200	1400	1600	1800	1900
LES 65-2502D	18.5	25.0	H (m)	62	61.8	61.5	61	59	56.5	51	42.1	-	-	-
LES 65-2502C	22.0	30.0		69	68.9	68.7	68	66.8	63.5	58	50	39	-	-
LES 65-2502B	30.0	40.0		85	84.9	84.8	84.5	83	80.8	76.8	70.6	62.8	50	-
LES 65-2502A	37.0	50.0		96.2	96.1	96	95.8	95	93	90.5	85.5	76.8	66	60

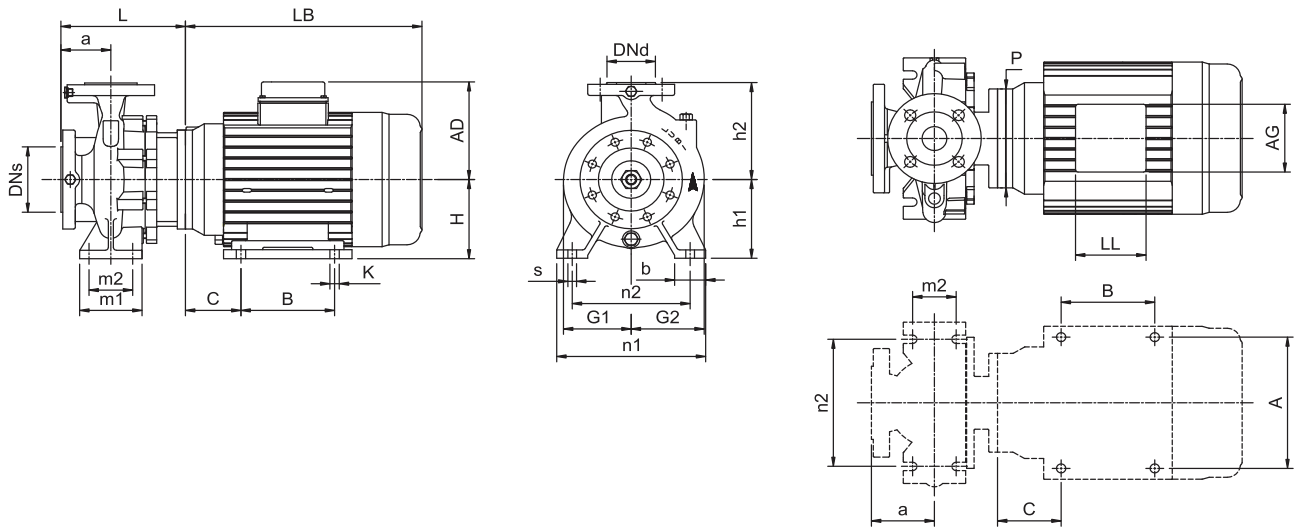
Technical Data

LES 65-3152

Single-stage end-suction pumps

2-pole

2 POLE



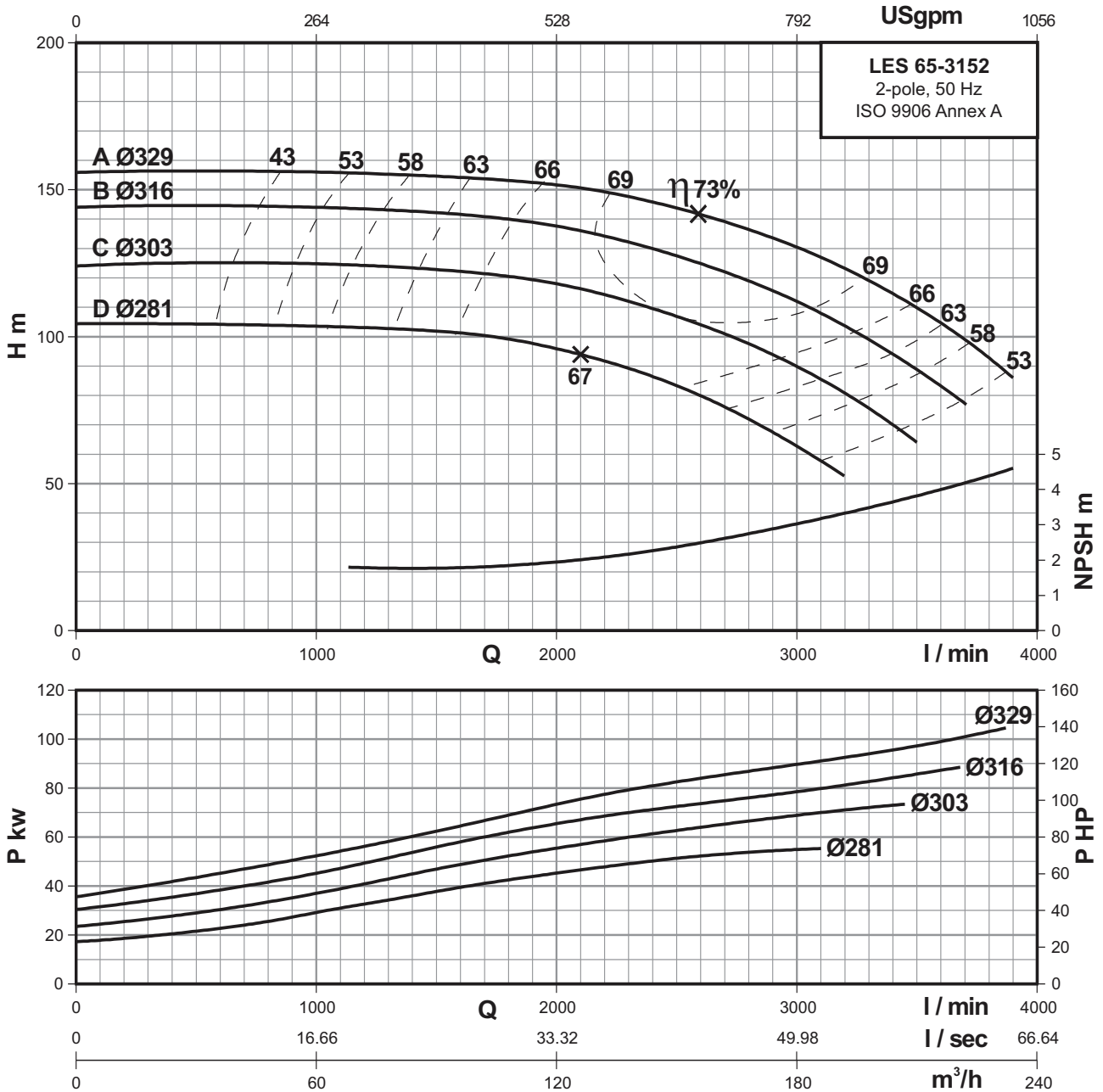
Power	[kw]	55	75	90	110
	[hp]	75	100	120	150
Frame		250M	280S	280M	315S
PN	[bar]	16	16	16	16
Code for Impeller diameter		D	C	B	A
DNs	[mm]	80	80	80	80
Dnd	[mm]	65	65	65	65
a	[mm]	125	125	125	125
h2	[mm]	280	280	280	280
L	[mm]	412	412	412	458
h1	[mm]	225	225	225	225
G1	[mm]	202	202	202	202
G2	[mm]	220	220	220	220
m1	[mm]	160	160	160	160
m2	[mm]	120	120	120	120
n1	[mm]	400	400	400	400
n2	[mm]	315	315	315	315
b	[mm]	80	80	80	80
s	[mm]	18	18	18	18
H	[mm]	250	280	280	315
LB	[mm]	795	870	870	997
AD	[mm]	414	445	445	515
AG	[mm]	327	327	327	400
LL	[mm]	240	240	240	320
P	[mm]	550	550	550	660
C	[mm]	168	190	190	216
B	[mm]	349	368	419	406
A	[mm]	406	457	457	508
K	[mm]	24	24	24	28
Net Weight	[kg]	597	692	736	988
Gross Weight	[kg]	698	804	848	1127
Volume	[m ³]	0.968	1.111	1.111	1.570

Performance curves

LES 65-3152

Single-stage end-suction pumps

2-pole



Performance Data At n=2900 RPM

MODEL	POWER		m³/h l/min	72	90	108	120	132	150	168	180	192	210	234
	KW	HP		1200	1500	1800	2000	2200	2500	2800	3000	3200	3500	3900
LES 65-3152D	55.0	75.0	H (m)	102	101	99	96	92	83	72	62	52	-	-
LES 65-3152C	75.0	100.0		124	122	120	118	114	107	98	90	80	64	-
LES 65-3152B	90.0	120.0		144	141.8	140	138	134	127	119	112	103	89	-
LES 65-3152A	110.0	150.0		156	154	152	151	150	143	136	130	123	110	86

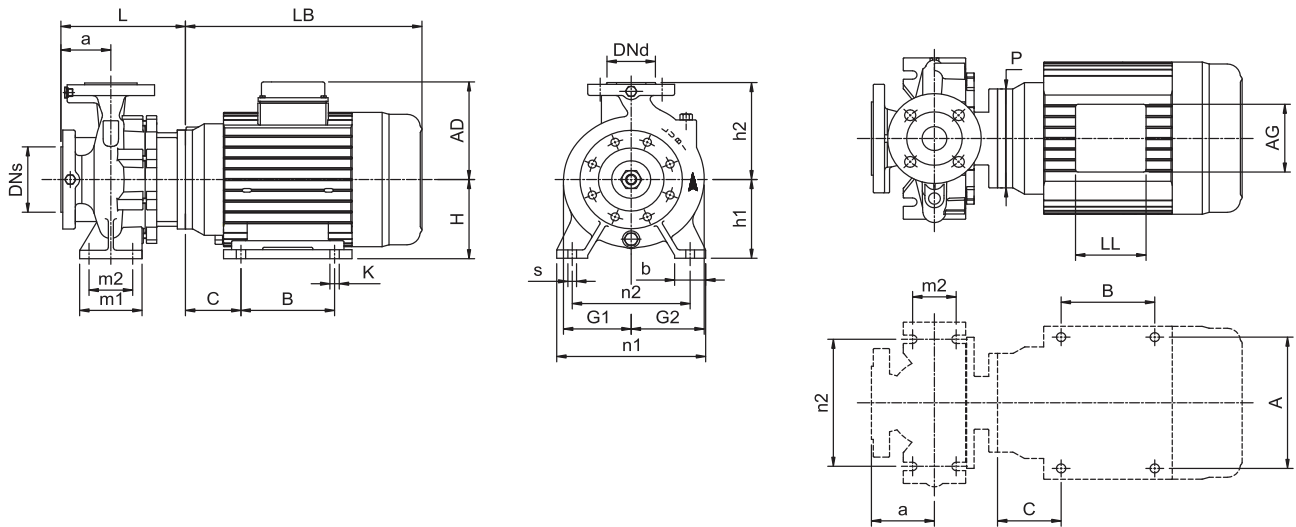
Technical Data

LES 80-1602

Single-stage end-suction pumps

2-pole

2 POLE



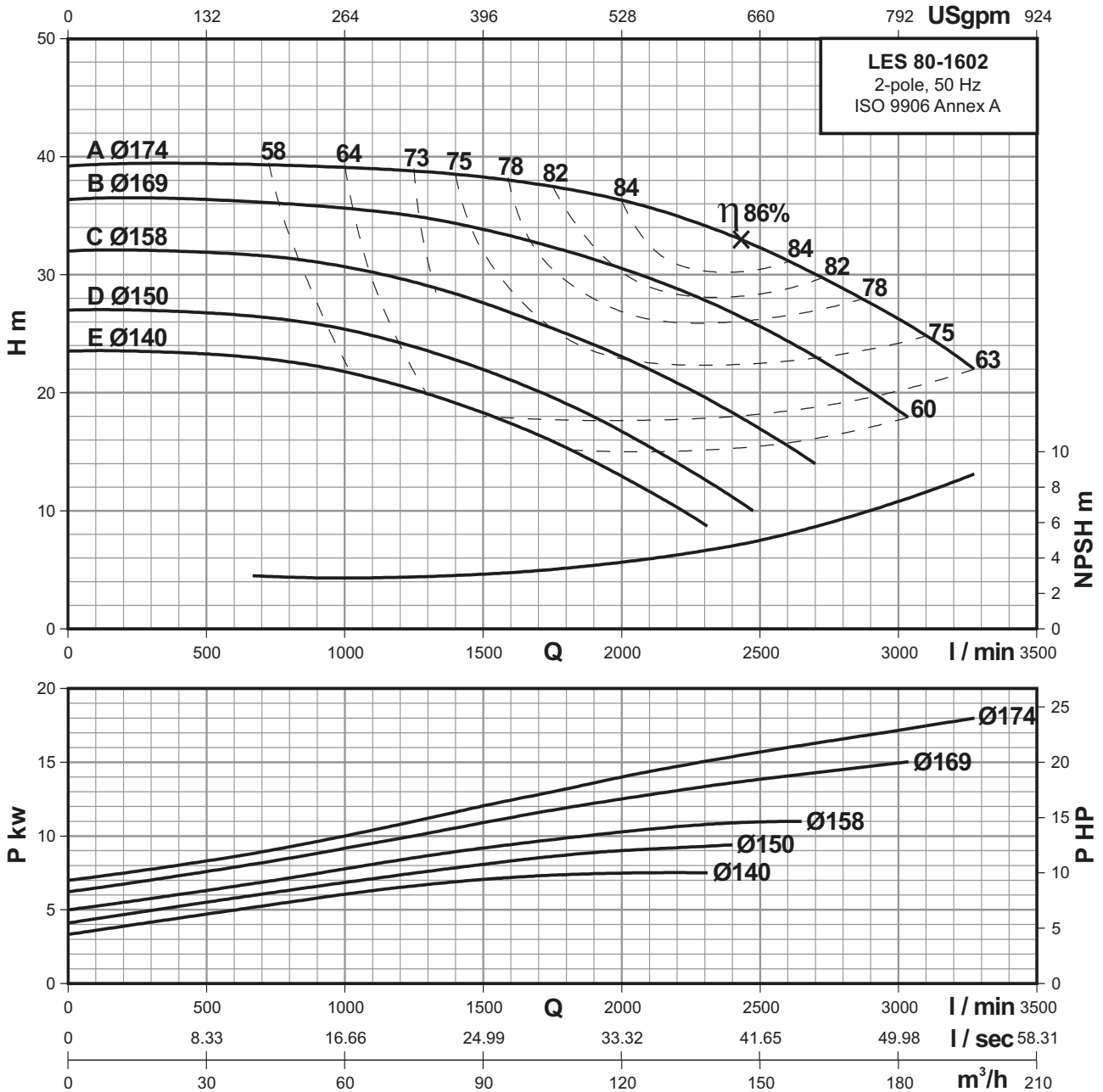
Power	[kw]	7.5	9.3	11	15	18.5
	[hp]	10	12.5	15	20	25
Frame		132M	132M	132M	160M	160L
PN	[bar]	16	16	16	16	16
Code for Impeller diameter		E	D	C	B	A
DNs	[mm]	100	100	100	100	100
Dnd	[mm]	80	80	80	80	80
a	[mm]	125	125	125	125	125
h2	[mm]	225	225	225	225	225
L	[mm]	235	235	235	256	256
h1	[mm]	180	180	180	180	180
G1	[mm]	132	132	132	132	132
G2	[mm]	157	157	157	157	157
m1	[mm]	125	125	125	125	125
m2	[mm]	95	95	95	95	95
n1	[mm]	320	320	320	320	320
n2	[mm]	250	250	250	250	250
b	[mm]	65	65	65	65	65
s	[mm]	14	14	14	14	14
H	[mm]	-	-	-	160	160
LB	[mm]	417	417	417	500	544
AD	[mm]	178	178	178	222	222
AG	[mm]	112	112	112	152	152
LL	[mm]	112	112	112	152	152
P	[mm]	225	225	225	254	254
C	[mm]	-	-	-	108	108
B	[mm]	-	-	-	210	254
A	[mm]	-	-	-	254	254
K	[mm]	-	-	-	15	15
Net Weight	[kg]	99	104	109	133	158
Gross Weight	[kg]	109	114	119	184	214
Volume	[m ³]	0.225	0.225	0.225	0.336	0.378

Performance curves

LES 80-1602

Single-stage end-suction pumps

2-pole



Performance Data At n=2900 RPM

MODEL	POWER		m ³ /h l/min	30	48	60	72	90	108	120	132	150	168	180	195
	KW	HP		500	800	1000	1200	1500	1800	2000	2200	2500	2800	3000	3250
LES 80-1602E	7.5	10.0	H (m)	23.6	22.5	21.9	20.5	18.2	15.4	13	10.2	-	-	-	-
LES 80-1602D	9.3	12.5		26.7	26	25.4	24.2	22	19	16.8	14	9.5	-	-	-
LES 80-1602C	11.0	15.0		31.9	31.4	30.5	29.8	27.7	25	23	20.8	17	-	-	-
LES 80-1602B	15.0	20.0		36.4	36	35.6	35.2	34	32	30.6	28.8	25.7	21.5	18.5	-
LES 80-1602A	18.5	25.0		39.5	39.4	39	38.8	38.2	37.2	36.2	35	32.2	28.8	26.1	22.6

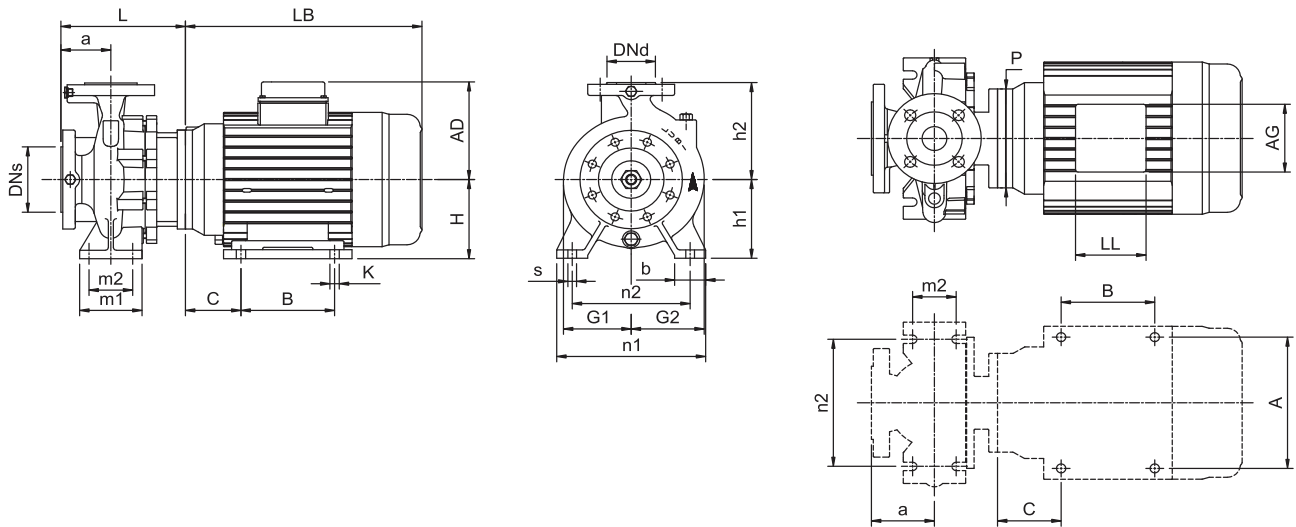
Technical Data

LES 80-2002

Single-stage end-suction pumps

2-pole

2 POLE



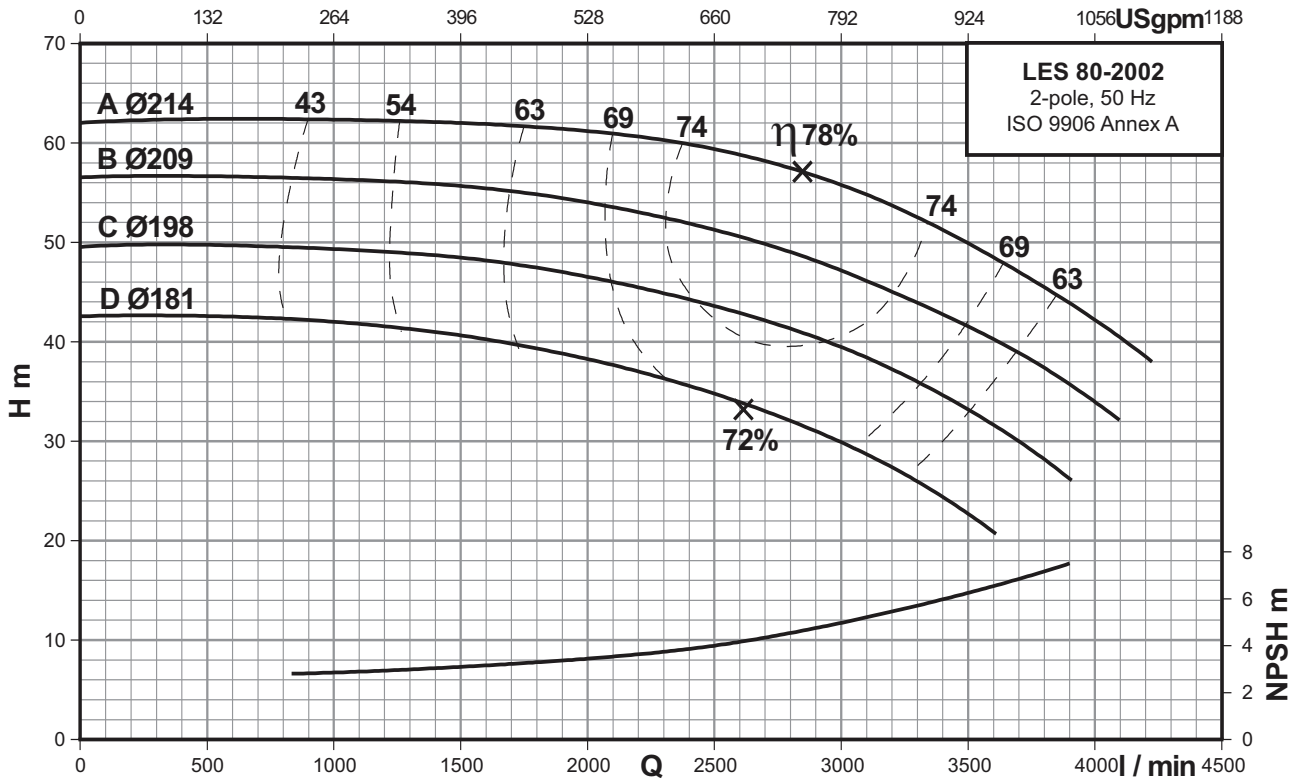
Power	[kw]	22	30	37	45
	[hp]	30	40	50	60
Frame		160L	200L	200L	225M
PN	[bar]	16	16	16	16
Code for Impeller diameter		D	C	B	A
DNs	[mm]	100	100	100	100
Dnd	[mm]	80	80	80	80
a	[mm]	125	125	125	125
h2	[mm]	250	250	250	250
L	[mm]	262	412	412	412
h1	[mm]	180	180	180	180
G1	[mm]	155	155	155	155
G2	[mm]	186	186	186	186
m1	[mm]	125	125	125	125
m2	[mm]	95	95	95	95
n1	[mm]	345	345	345	345
n2	[mm]	280	280	280	280
b	[mm]	65	65	65	65
s	[mm]	14	14	14	14
H	[mm]	160	200	200	225
LB	[mm]	544	688	688	725
AD	[mm]	222	306	306	328
AG	[mm]	152	263	263	263
LL	[mm]	152	195	195	195
P	[mm]	254	400	400	450
C	[mm]	108	133	133	149
B	[mm]	254	308	308	311
A	[mm]	254	318	318	356
K	[mm]	15	19	19	19
Net Weight	[kg]	174	343	363	407
Gross Weight	[kg]	230	413	433	487
Volume	[m ³]	0.378	0.552	0.552	0.667

Performance curves

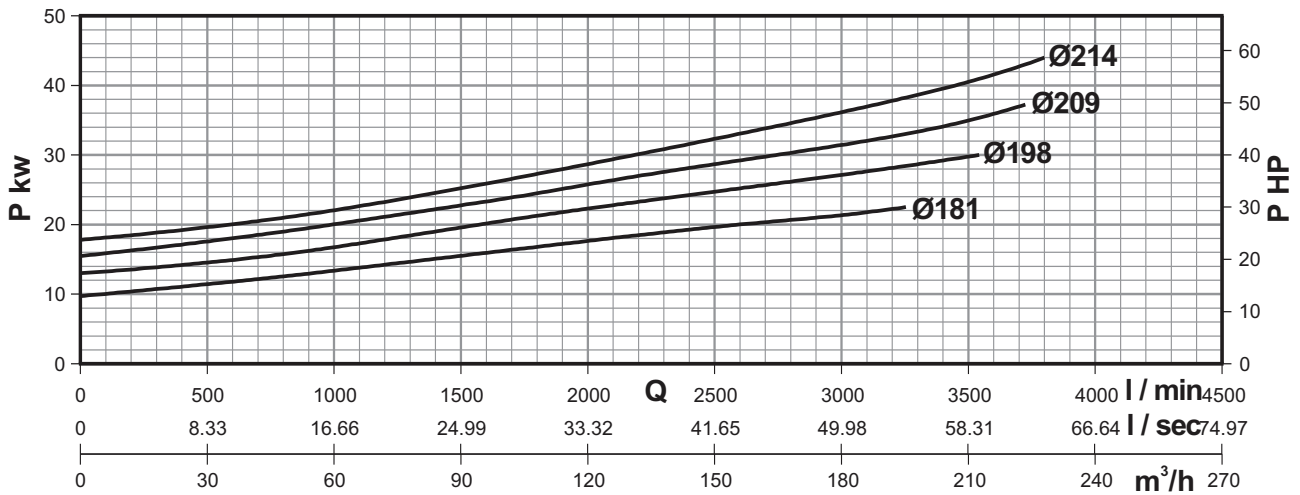
LES 80-2002

Single-stage end-suction pumps

2-pole



2 POLE



Performance Data At n=2900 RPM

MODEL	POWER		m³/h l/min	90	108	120	132	150	168	180	192	210	228	240	252
	KW	HP		1500	1800	2000	2200	2500	2800	3000	3200	3500	3800	4000	4200
LES 80-2002D	22.0	30.0	H (m)	40.5	39.2	38.2	37	34.8	32	30	27.4	22.8	-	-	-
LES 80-2002C	30.0	40.0		48.5	47.5	46.5	45.5	43.6	41.2	39.5	37.2	33	28	-	-
LES 80-2002B	37.0	50.0		55.7	54.8	54	53	51.2	49	47	45	41.5	37.4	34	-
LES 80-2002A	45.0	60.0		62	61.6	61.2	60.5	59.6	57.5	55.8	53.8	50	45.5	42	38.3

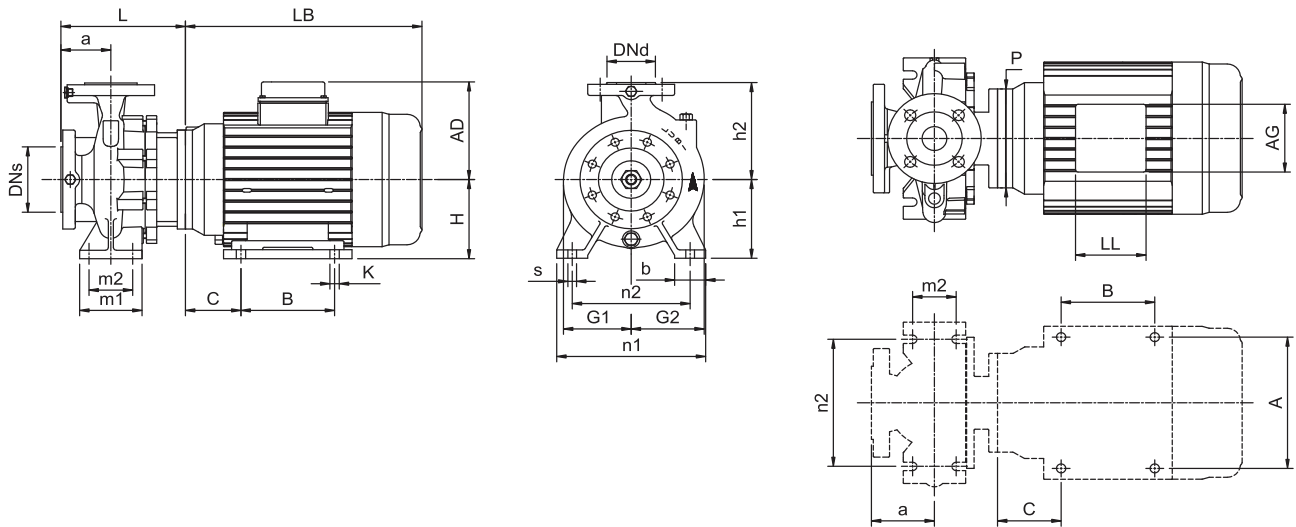
Technical Data

LES 80-2502

Single-stage end-suction pumps

2-pole

2 POLE



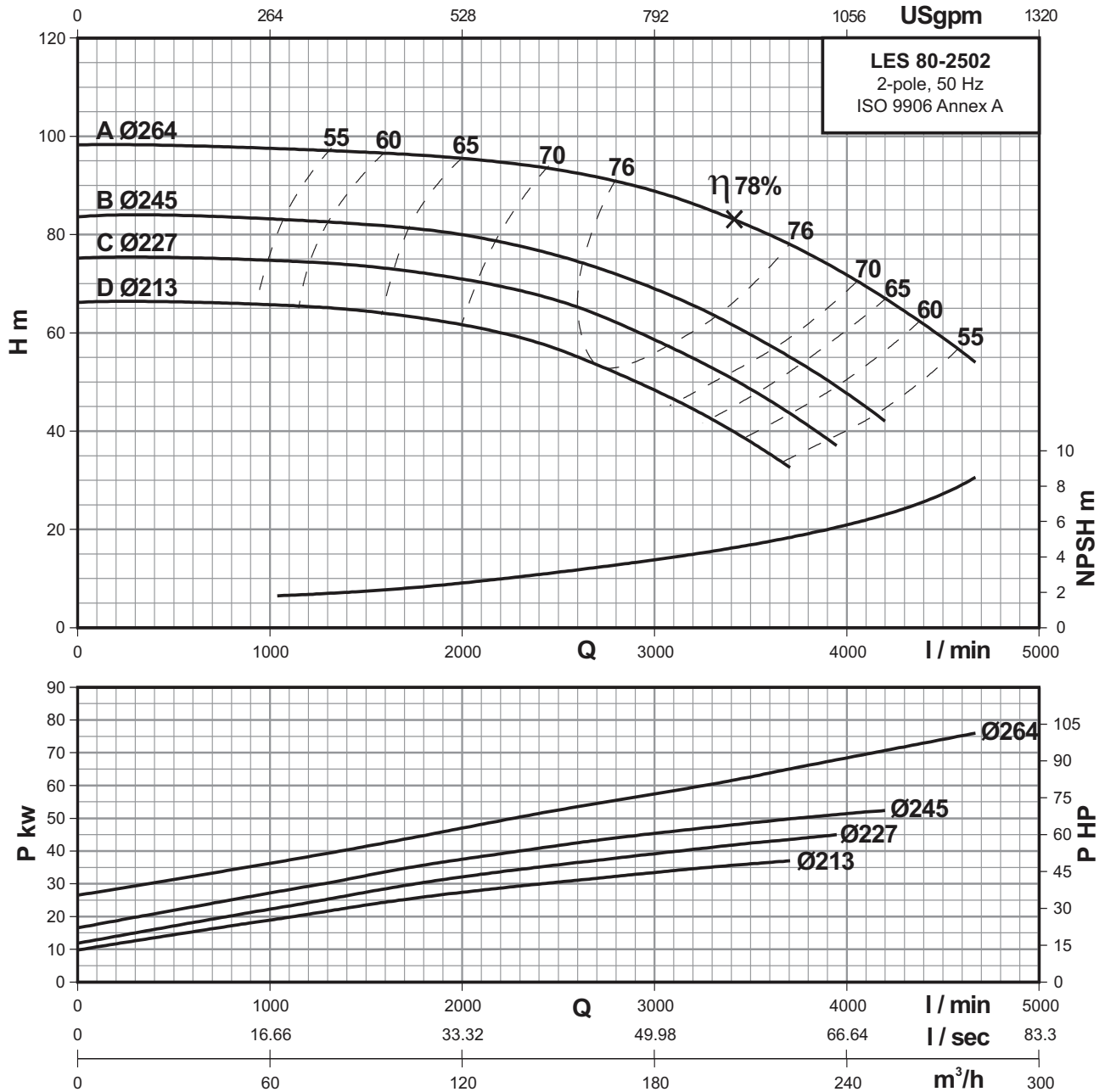
Power	[kw]	37	45	55	75
	[hp]	50	60	75	100
Frame		200L	225M	250M	280S
PN	[bar]	16	16	16	16
Code for Impeller diameter		D	C	B	A
DNs	[mm]	100	100	100	100
Dnd	[mm]	80	80	80	80
a	[mm]	125	125	125	125
h2	[mm]	280	280	280	280
L	[mm]	412	412	412	412
h1	[mm]	200	200	200	200
G1	[mm]	178	178	178	178
G2	[mm]	204	204	204	204
m1	[mm]	160	160	160	160
m2	[mm]	120	120	120	120
n1	[mm]	400	400	400	400
n2	[mm]	315	315	315	315
b	[mm]	80	80	80	80
s	[mm]	18	18	18	18
H	[mm]	200	225	250	280
LB	[mm]	688	725	795	870
AD	[mm]	306	328	414	445
AG	[mm]	263	263	327	327
LL	[mm]	195	195	240	240
P	[mm]	400	450	550	550
C	[mm]	133	149	168	190
B	[mm]	308	311	349	368
A	[mm]	318	356	406	457
K	[mm]	19	19	24	24
Net Weight	[kg]	375	418	585	680
Gross Weight	[kg]	445	498	686	792
Volume	[m ³]	0.552	0.667	0.968	1.111

Performance curves

LES 80-2502

Single-stage end-suction pumps

2-pole



Performance Data At n=2900 RPM

MODEL	POWER		m ³ /h l/min	108	120	132	150	168	180	192	210	228	240	264	282
	KW	HP		1800	2000	2200	2500	2800	3000	3200	3500	3800	4000	4400	4700
LES 80-2502D	37.0	50.0	H (m)	63	61.8	60	56.6	51.8	48.7	44.8	38	-	-	-	-
LES 80-2502C	45.0	60.0		72	70.8	69.5	66.5	62	58.7	55	48.8	41	36	-	-
LES 80-2502B	55.0	75.0		81	80	78.5	75.8	72.8	69	65.5	60	53	48	-	-
LES 80-2502A	75.0	100.0		96	95.5	94.5	93.4	91	88.4	86.5	82.2	76	71.8	61.8	54

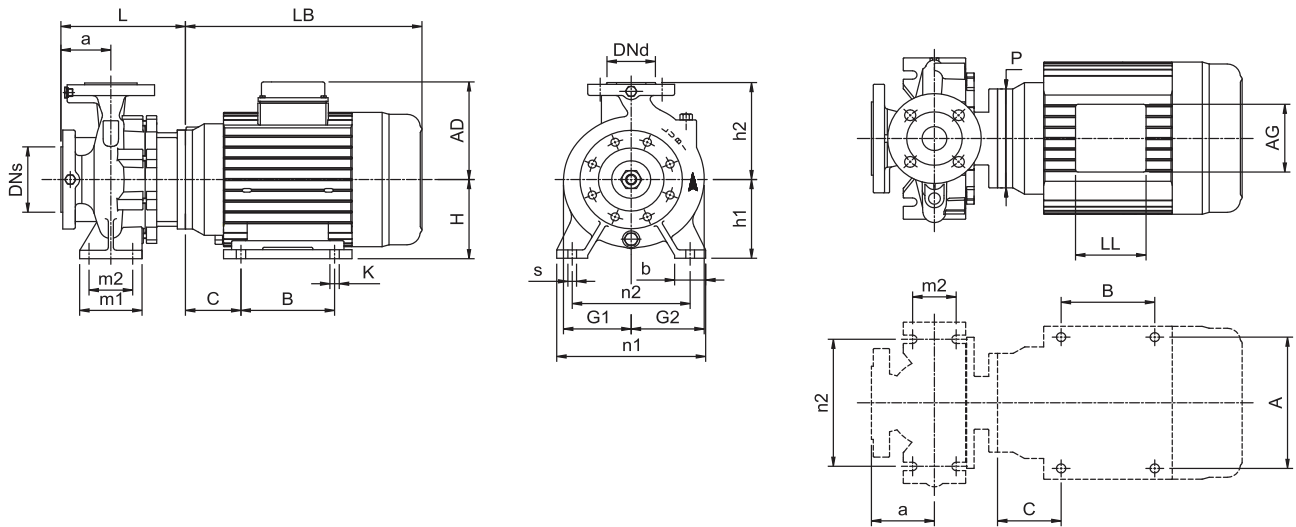
Technical Data

Single-stage end-suction pumps

LES 65-250L2

2-pole

2 POLE



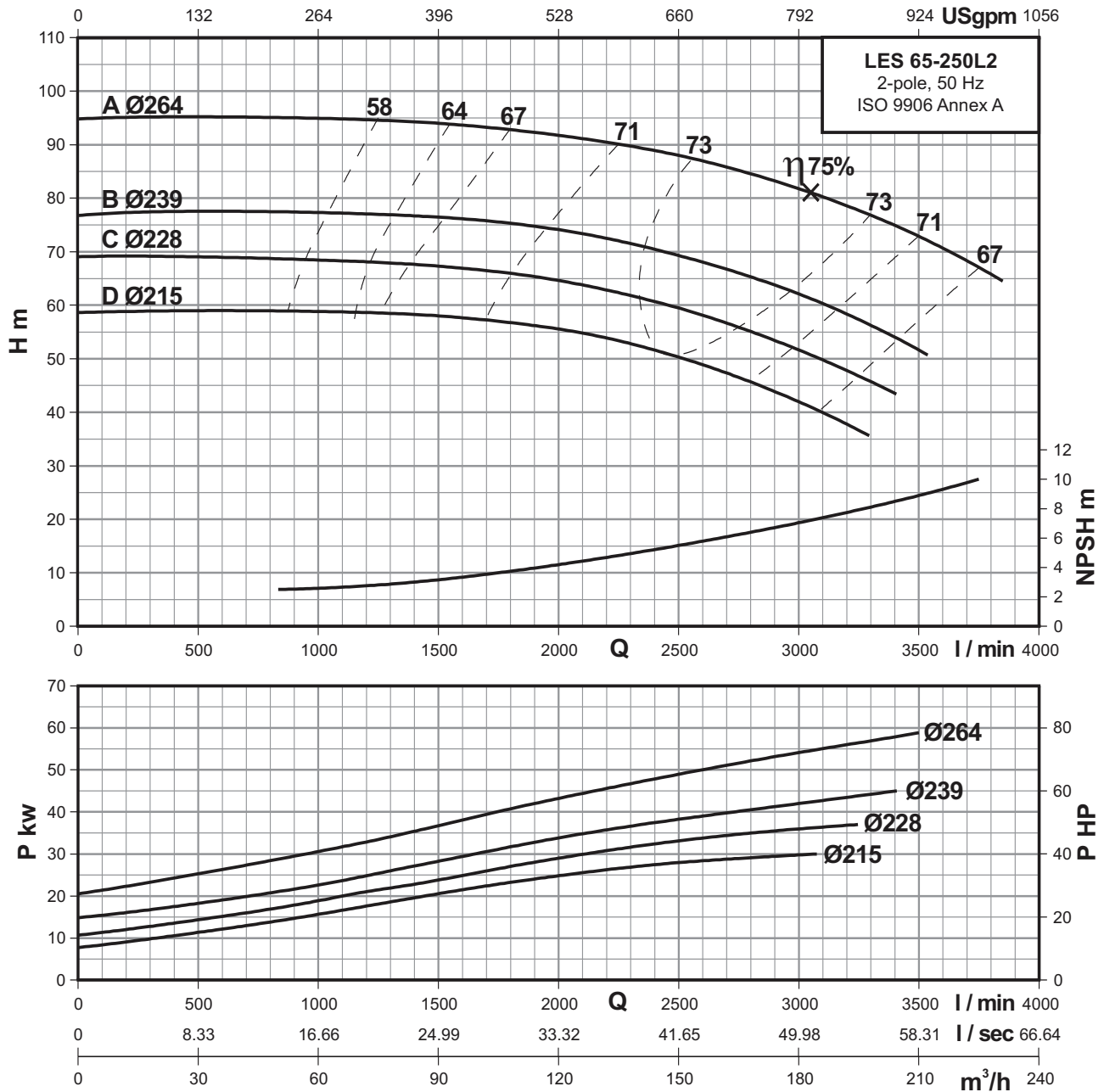
Power	[kw]	30	37	45	55
	[hp]	40	50	60	75
Frame		200L	200L	225M	250M
PN	[bar]	16	16	16	16
Code for Impeller diameter		D	C	B	A
DNs	[mm]	100	100	100	100
Dnd	[mm]	65	65	65	65
a	[mm]	100	100	100	100
h2	[mm]	250	250	250	250
L	[mm]	387	387	387	387
h1	[mm]	200	200	200	200
G1	[mm]	173	173	173	173
G2	[mm]	196	196	196	196
m1	[mm]	160	160	160	160
m2	[mm]	120	120	120	120
n1	[mm]	360	360	360	360
n2	[mm]	280	280	280	280
b	[mm]	80	80	80	80
s	[mm]	18	18	18	18
H	[mm]	200	200	225	250
LB	[mm]	688	688	725	795
AD	[mm]	306	306	328	414
AG	[mm]	263	263	263	327
LL	[mm]	195	195	195	240
P	[mm]	400	400	450	550
C	[mm]	133	133	149	168
B	[mm]	308	308	311	349
A	[mm]	318	318	356	406
K	[mm]	19	19	19	24
Net Weight	[kg]	350	370	413	580
Gross Weight	[kg]	420	440	493	681
Volume	[m ³]	0.552	0.552	0.667	0.968

Performance curves

LES 65-250L2

Single-stage end-suction pumps

2-pole



2 POLE

Performance Data At n=2900 RPM

MODEL	POWER		m³/h l/min	60	90	108	120	132	150	168	180	192	210	228
	KW	HP		1000	1500	1800	2000	2200	2500	2800	3000	3200	3500	3800
LES 65-250L2D	30.0	40.0	H (m)	58.8	58	56.8	56	54	50	45.8	42	37.5	-	-
LES 65-250L2C	37.0	50.0		68.5	67.4	66	64.5	63	59.5	55	51.5	48	-	-
LES 65-250L2B	45.0	60.0		77.6	76.5	75.4	74	72.5	69.3	65.3	62	58	52	-
LES 65-250L2A	55.0	75.0		95	94	93	92	90.5	88	84.5	82	78.5	73	66

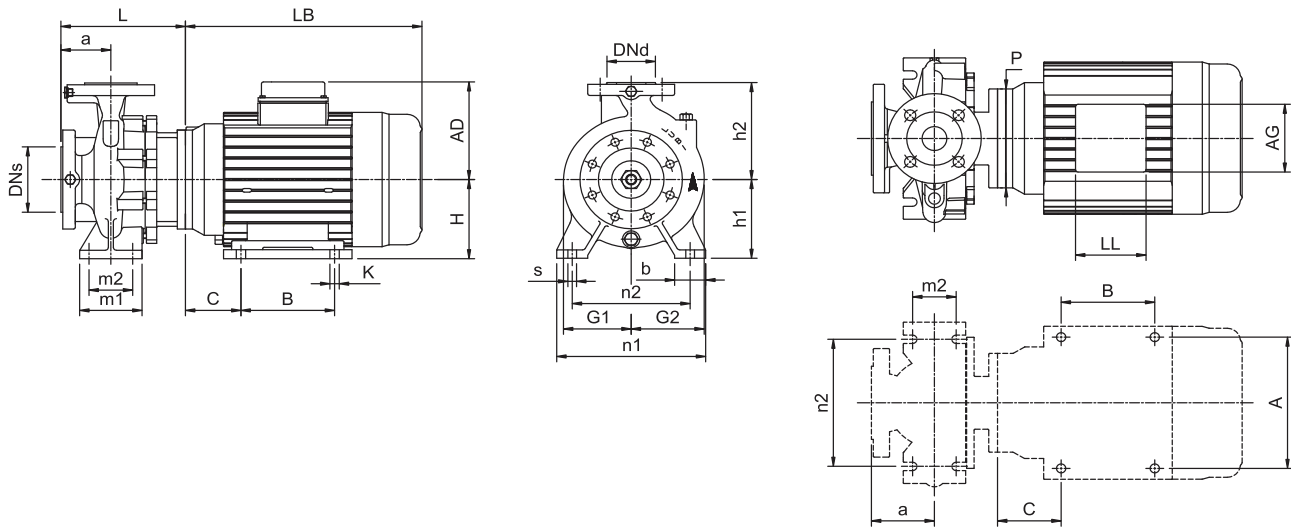
Technical Data

Single-stage end-suction pumps

LES 80-3152

2-pole

2 POLE



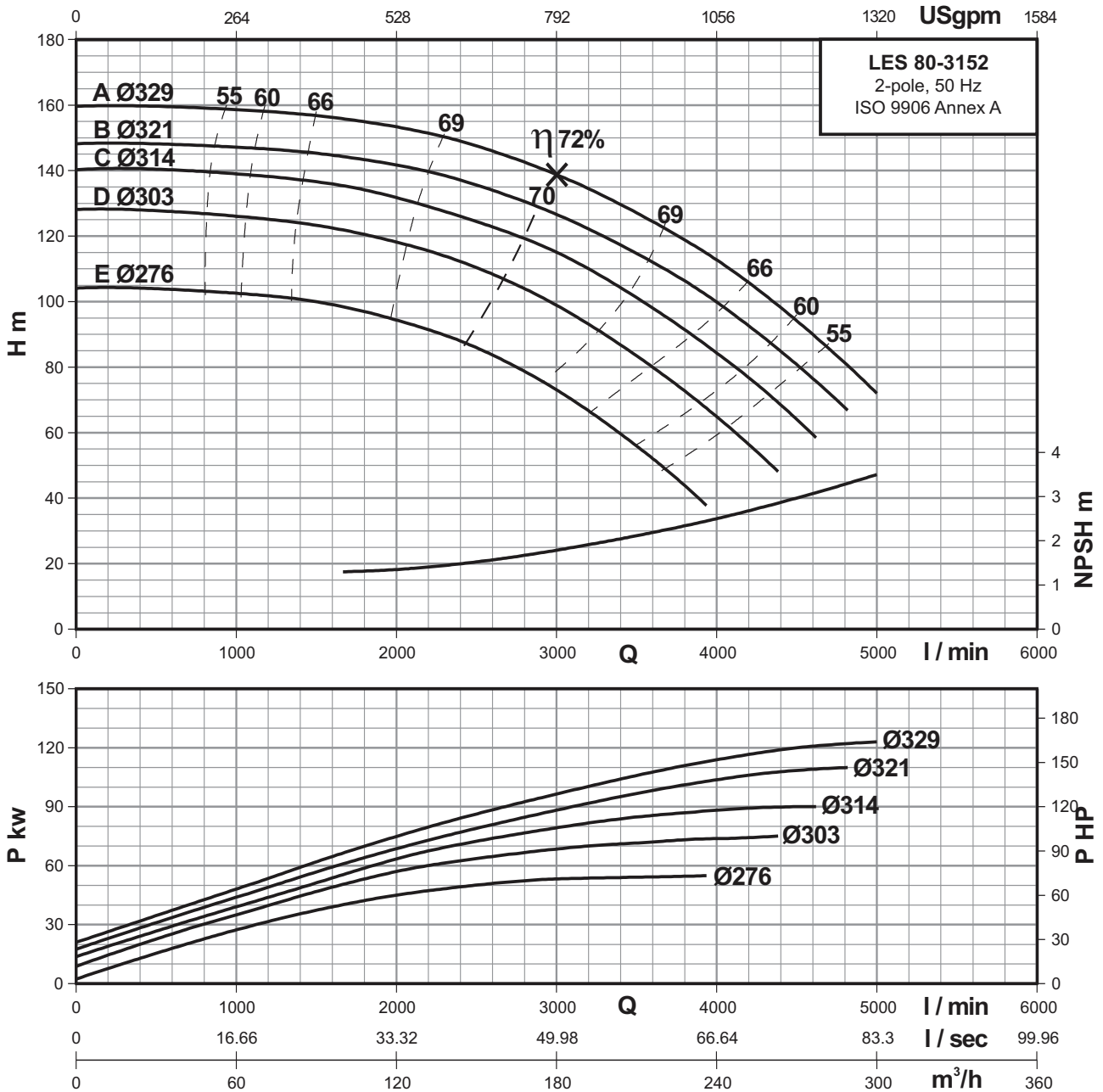
Power	[kw]	55	75	90	110	132
	[hp]	75	100	120	150	180
Frame		250M	280S	280M	315S	315M
PN	[bar]	16	16	16	16	16
Code for Impeller diameter		E	D	C	B	A
DNs	[mm]	100	100	100	100	100
Dnd	[mm]	80	80	80	80	80
a	[mm]	125	125	125	125	125
h2	[mm]	315	315	315	315	315
L	[mm]	412	412	412	458	458
h1	[mm]	250	250	250	250	250
G1	[mm]	204	204	204	204	204
G2	[mm]	227	227	227	227	227
m1	[mm]	160	160	160	160	160
m2	[mm]	120	120	120	120	120
n1	[mm]	400	400	400	400	400
n2	[mm]	315	315	315	315	315
b	[mm]	80	80	80	80	80
s	[mm]	18	18	18	18	18
H	[mm]	250	280	280	315	315
LB	[mm]	795	870	870	997	997
AD	[mm]	414	445	445	515	515
AG	[mm]	327	327	327	400	400
LL	[mm]	240	240	240	320	320
P	[mm]	550	550	550	660	660
C	[mm]	168	190	190	216	216
B	[mm]	349	368	419	406	457
A	[mm]	406	457	457	508	508
K	[mm]	24	24	24	28	28
Net Weight	[kg]	599	694	738	990	1060
Gross Weight	[kg]	700	806	850	1129	1199
Volume	[m ³]	0.968	1.111	1.111	1.570	1.570

Performance curves

LES 80-3152

Single-stage end-suction pumps

2-pole



Performance Data At n=2900 RPM

MODEL	POWER		m ³ /h l/min	108	132	150	168	180	192	210	228	240	252	270	288	300	
	KW	HP		1800	2200	2500	2800	3000	3200	3500	3800	4000	4200	4500	4800	5000	
LES 80-3152E	55.0	75.0	H (m)	96.7	91.3	86.8	79	73.8	66	56	44	35	-	-	-	-	
LES 80-3152D	75.0	100.0		121	115	110	104	99	93	84.2	72.8	65	56	-	-	-	-
LES 80-3152C	90.0	120.0		134.2	129	125	119.5	115	110	101	91	85	76	64	-	-	-
LES 80-3152B	110.0	150.0		143.5	140	135.6	130	126	121.5	115	106	100	91.8	80	66.8	-	-
LES 80-3152A	132.0	180.0		155	151	147.5	142	139	135	127.5	119	112	105	94	81	72	-

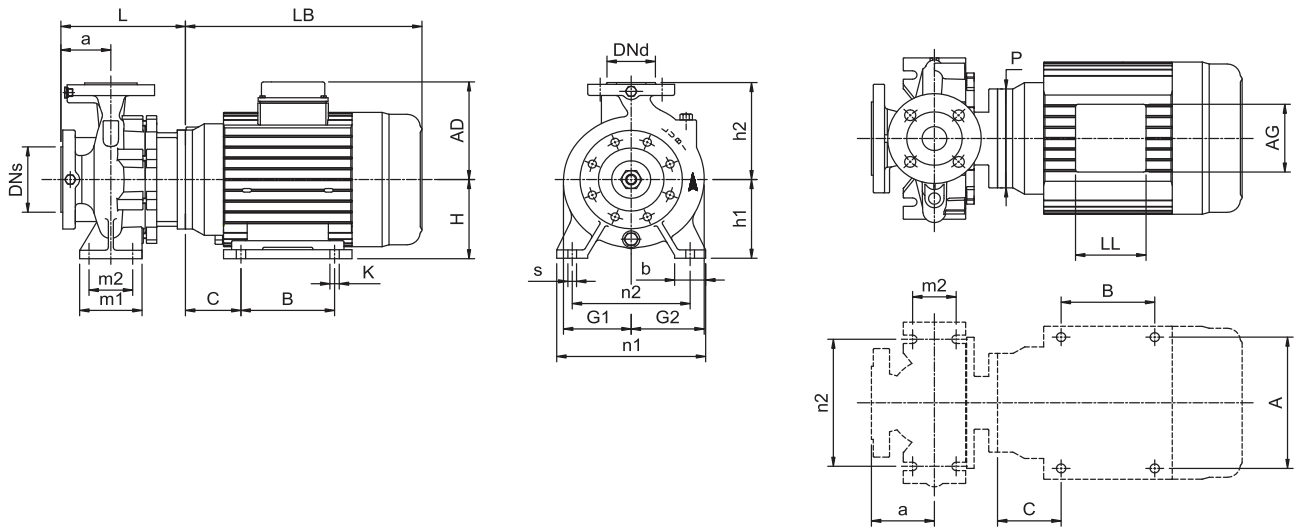
Technical Data

Single-stage end-suction pumps

LES 100-2002

2-pole

2 POLE



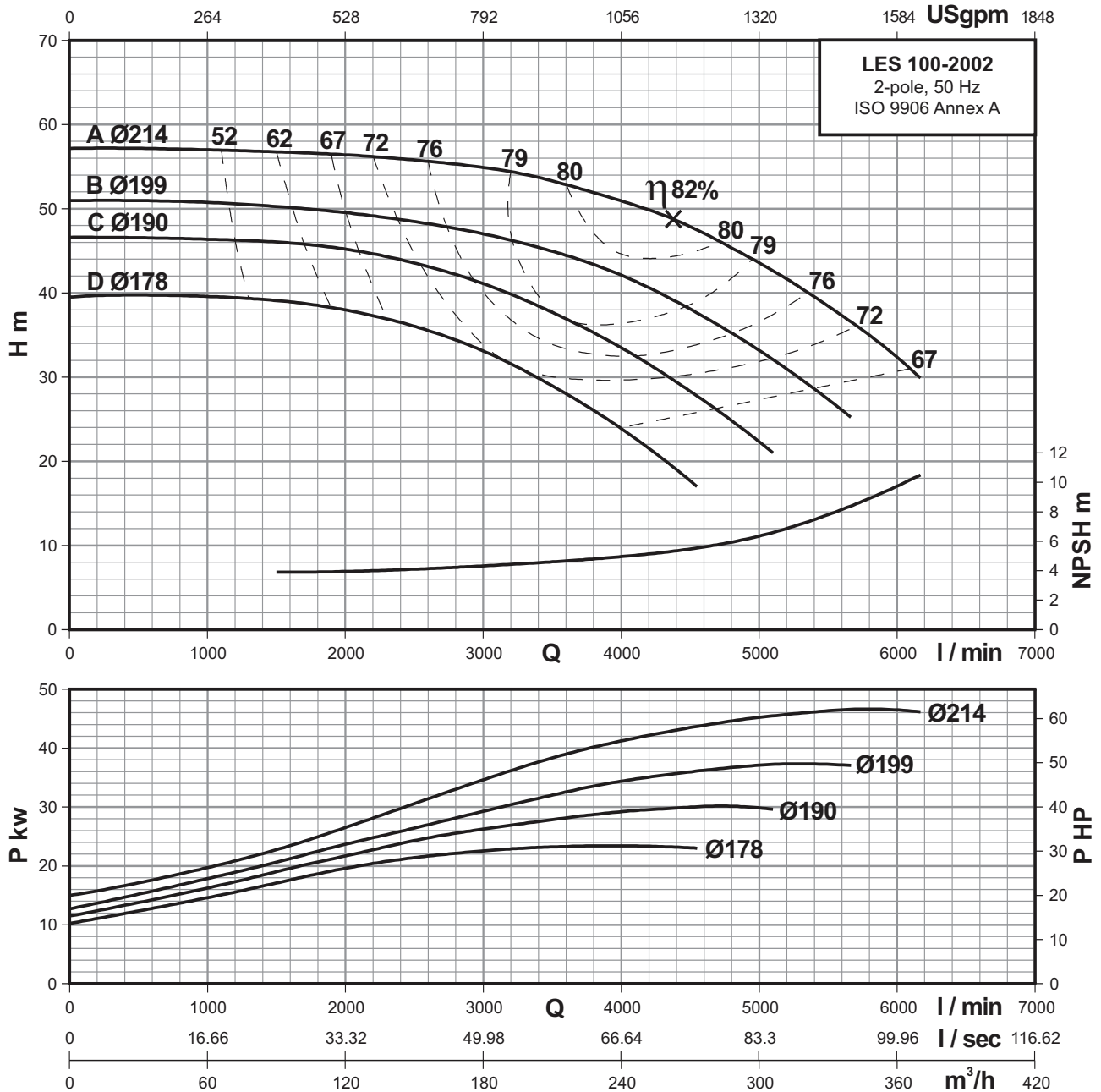
Power	[kw]	22	30	37	45
	[hp]	30	40	50	60
Frame		160L	200L	200L	225M
PN	[bar]	16	16	16	16
Code for Impeller diameter		D	C	B	A
DNs	[mm]	125	125	125	125
Dnd	[mm]	100	100	100	100
a	[mm]	125	125	125	125
h2	[mm]	280	280	280	280
L	[mm]	262	412	412	412
h1	[mm]	200	200	200	200
G1	[mm]	166	166	166	166
G2	[mm]	202	202	202	202
m1	[mm]	160	160	160	160
m2	[mm]	120	120	120	120
n1	[mm]	360	360	360	360
n2	[mm]	280	280	280	280
b	[mm]	80	80	80	80
s	[mm]	18	18	18	18
H	[mm]	160	200	200	225
LB	[mm]	544	688	688	725
AD	[mm]	222	306	306	328
AG	[mm]	152	263	263	263
LL	[mm]	152	195	195	195
P	[mm]	254	400	400	450
C	[mm]	108	133	133	149
B	[mm]	254	308	308	311
A	[mm]	254	318	318	356
K	[mm]	15	19	19	19
Net Weight	[kg]	184	353	373	417
Gross Weight	[kg]	246	423	443	497
Volume	[m ³]	0.447	0.552	0.552	0.667

Performance curves

LES 100-2002

Single-stage end-suction pumps

2-pole



2 POLE

Performance Data At n=2900 RPM

MODEL	POWER		m³/h	120	132	150	168	180	192	210	228	240	270	300	330	360
	KW	HP		l/min	2000	2200	2500	2800	3000	3200	3500	3800	4000	4500	5000	5500
LES 100-2002D	22.0	30.0	H (m)	38	37.3	36	34.3	33	31.8	29	26	24	18	-	-	-
LES 100-2002C	30.0	40.0		45	44.6	43.4	42	41	40	37.8	35.2	33.6	28.3	22	-	-
LES 100-2002B	37.0	50.0		49.5	49	48.7	47.6	47	46	45	43.4	42	38	33	27.4	-
LES 100-2002A	45.0	60.0		56.4	56	55.8	55.3	54.8	54.5	53.2	52	50.7	48	43.5	38.5	32.3

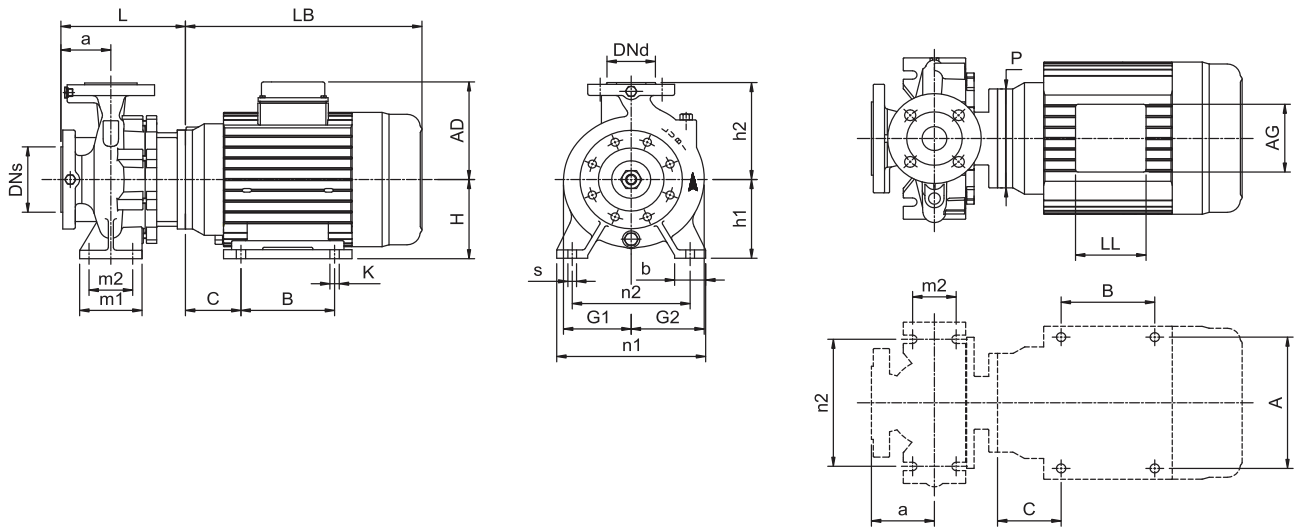
Technical Data

Single-stage end-suction pumps

LES 100-2502

2-pole

2 POLE



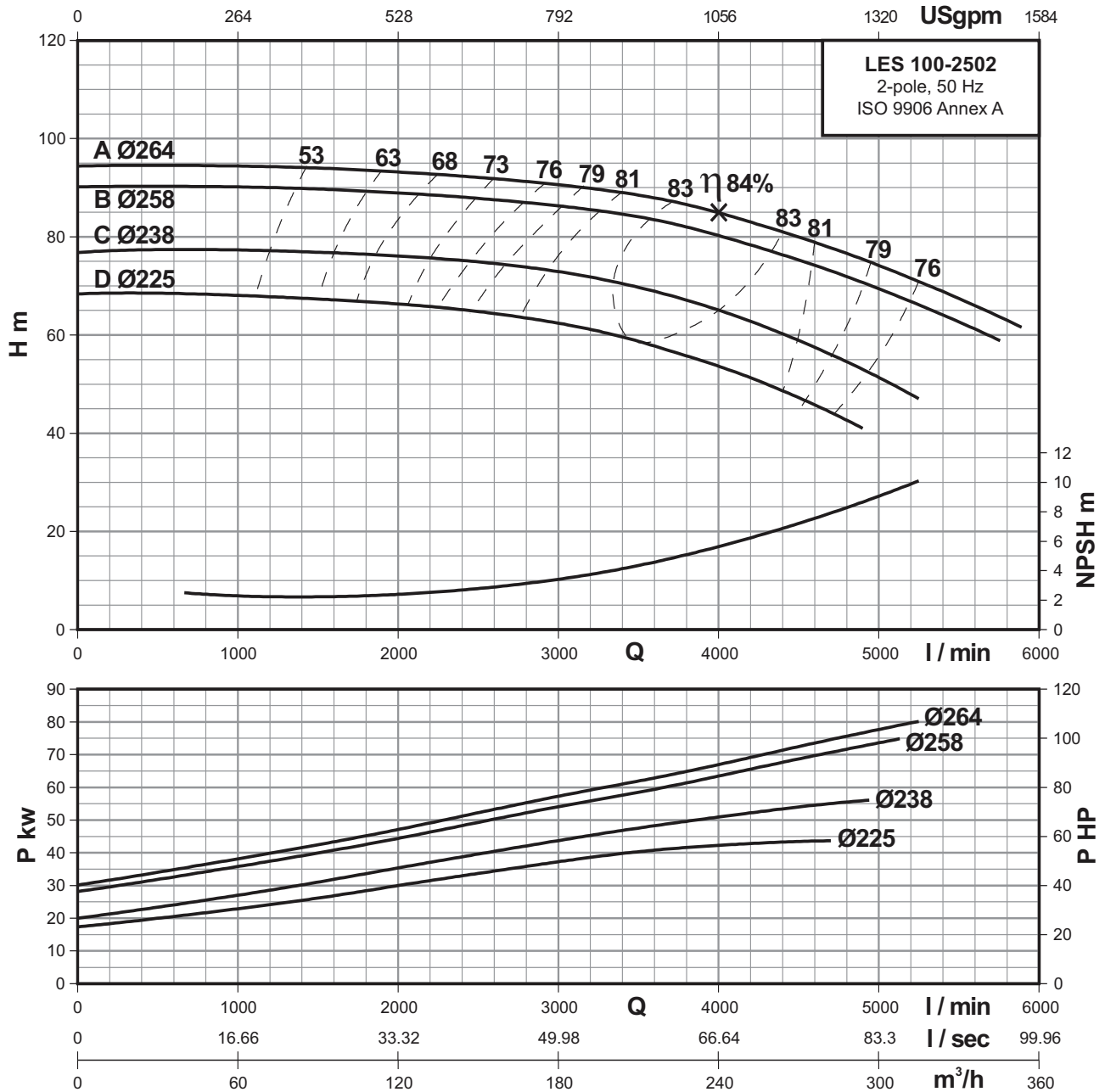
Power	[kw]	45	55	75	90
	[hp]	60	75	100	120
Frame		225M	250M	280S	280M
PN	[bar]	16	16	16	16
Code for Impeller diameter		D	C	B	A
DN _s	[mm]	125	125	125	125
DN _d	[mm]	100	100	100	100
a	[mm]	140	140	140	140
h ₂	[mm]	280	280	280	280
L	[mm]	427	427	427	427
h ₁	[mm]	225	225	225	225
G ₁	[mm]	184	184	184	184
G ₂	[mm]	214	214	214	214
m ₁	[mm]	160	160	160	160
m ₂	[mm]	120	120	120	120
n ₁	[mm]	400	400	400	400
n ₂	[mm]	315	315	315	315
b	[mm]	80	80	80	80
s	[mm]	18	18	18	18
H	[mm]	225	250	280	280
LB	[mm]	725	795	870	870
AD	[mm]	328	414	445	445
AG	[mm]	263	327	327	327
LL	[mm]	195	240	240	240
P	[mm]	450	550	550	550
C	[mm]	149	168	190	190
B	[mm]	311	349	368	419
A	[mm]	356	406	457	457
K	[mm]	19	24	24	24
Net Weight	[kg]	428	595	690	734
Gross Weight	[kg]	508	696	802	846
Volume	[m ³]	0.667	0.968	1.111	1.111

Performance curves

LES 100-2502

Single-stage end-suction pumps

2-pole



Performance Data At n=2900 RPM

MODEL	POWER		m ³ /h l/min	120	132	150	168	180	192	210	228	240	270	300	330	354
	KW	HP		2000	2200	2500	2800	3000	3200	3500	3800	4000	4500	5000	5500	5900
LES 100-2502D	45.0	60.0	H (m)	66.5	66	65	63.5	62.5	61	59	56	53.7	47.2	39	-	-
LES 100-2502C	55.0	75.0		76	75.6	75	74	73	72	70	67	65	59	51	-	-
LES 100-2502B	75.0	100.0		89	88.5	88	87	86.2	85.5	84	82	80	75	69.4	63	-
LES 100-2502A	90.0	120.0		93	92.8	92	91.2	90.7	90	88.5	86.6	85	80	74	68	61.5

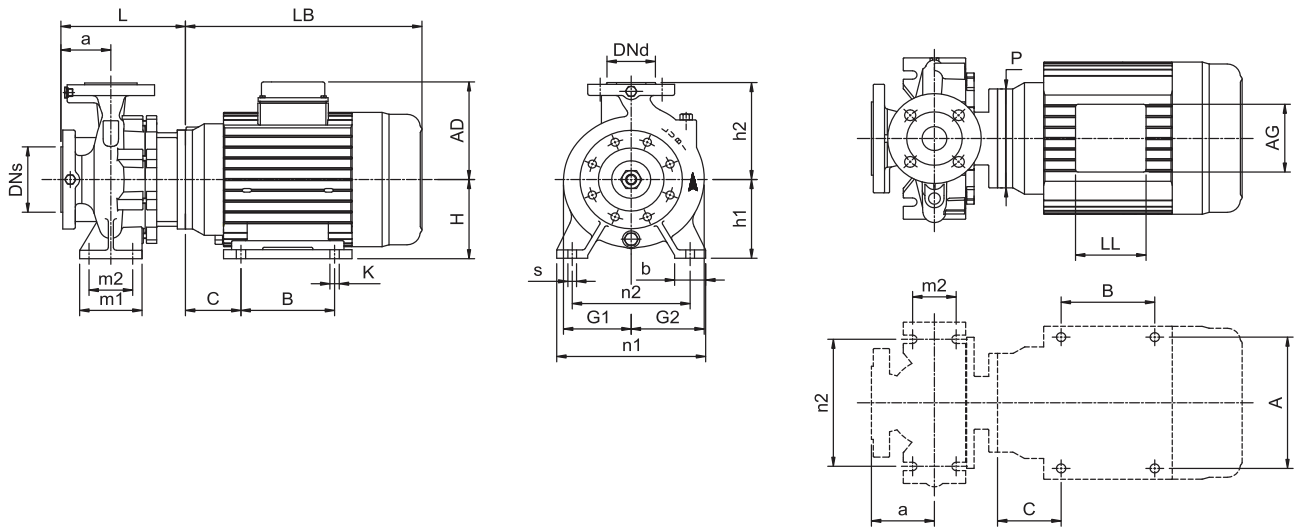
Technical Data

LES 100-3152

Single-stage end-suction pumps

2-pole

2 POLE



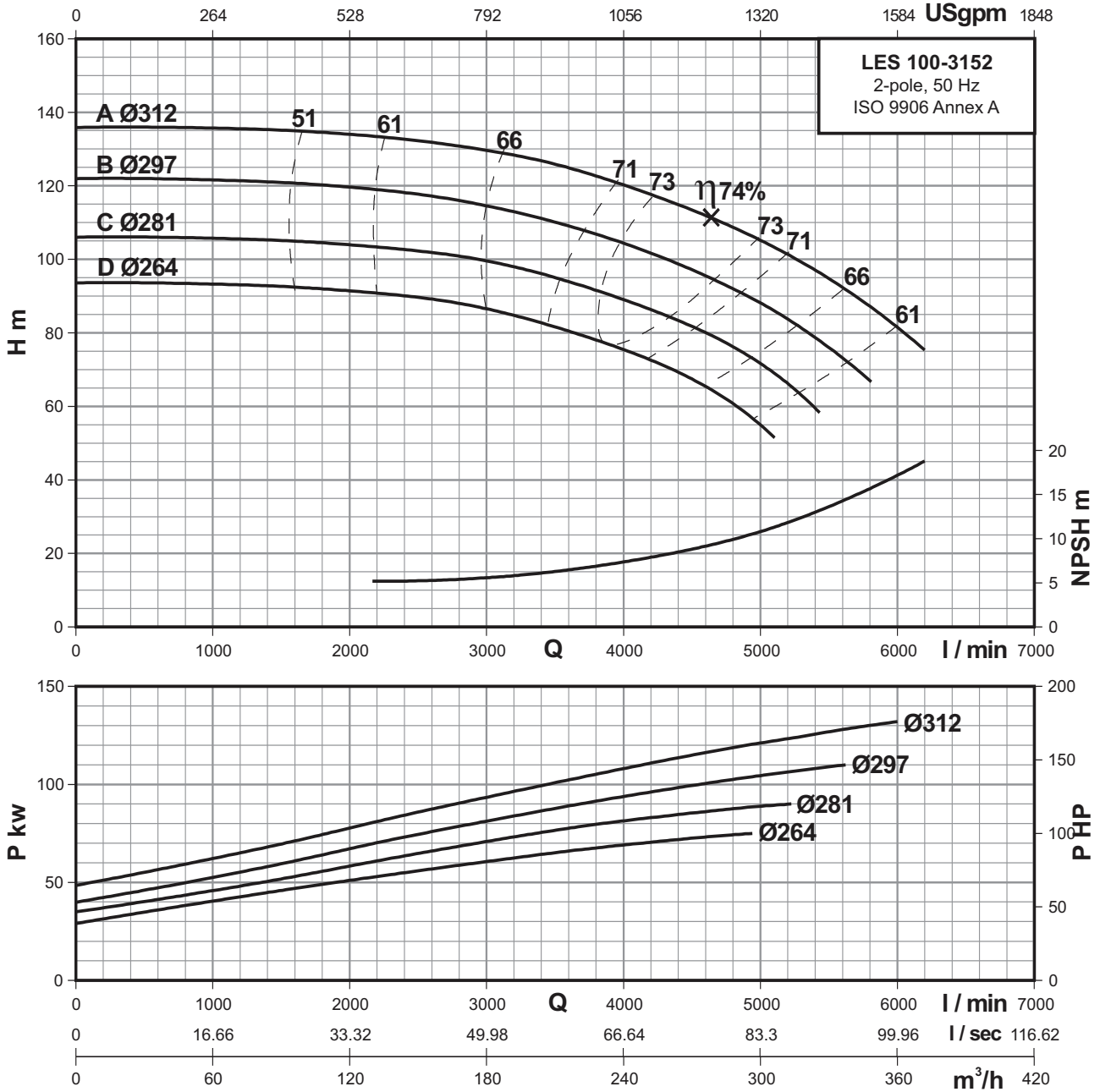
Power	[kw]	75	90	110	132
	[hp]	100	120	150	180
Frame		280S	280M	315S	315M
PN	[bar]	16	16	16	16
Code for Impeller diameter		D	C	B	A
DNs	[mm]	125	125	125	125
Dnd	[mm]	100	100	100	100
a	[mm]	140	140	140	140
h2	[mm]	315	315	315	315
L	[mm]	427	427	473	473
h1	[mm]	250	250	250	250
G1	[mm]	213	213	213	213
G2	[mm]	245	245	245	245
m1	[mm]	160	160	160	160
m2	[mm]	120	120	120	120
n1	[mm]	400	400	400	400
n2	[mm]	315	315	315	315
b	[mm]	80	80	80	80
s	[mm]	18	18	18	18
H	[mm]	280	280	315	315
LB	[mm]	870	870	997	997
AD	[mm]	445	445	515	515
AG	[mm]	327	327	400	400
LL	[mm]	240	240	320	320
P	[mm]	550	550	660	660
C	[mm]	190	190	216	216
B	[mm]	368	419	406	457
A	[mm]	457	457	508	508
K	[mm]	24	24	28	28
Net Weight	[kg]	705	749	1001	1071
Gross Weight	[kg]	817	861	1140	1210
Volume	[m ³]	1.111	1.111	1.570	1.570

Performance curves

LES 100-3152

Single-stage end-suction pumps

2-pole



2 POLE

Performance Data At n=2900 RPM

MODEL	POWER		m³/h l/min	120	132	150	168	180	192	210	228	240	270	300	330	360
	KW	HP		2000	2200	2500	2800	3000	3200	3500	3800	4000	4500	5000	5500	6000
LES 100-3152D	75.0	100.0	H (m)	91	90.6	90	88.8	86	85	82.3	78.7	75	67.5	55	-	-
LES 100-3152C	90.0	120.0		104	103.5	102.4	101.3	100	98	95	92	89	82	71	55	-
LES 100-3152B	110.0	150.0		120	119	118	115.5	115	113	110	106.5	105	96.5	88	75.5	-
LES 100-3152A	132.0	180.0		134	133	132	131	130	128	126	122.8	120	113.8	105	95	81.4

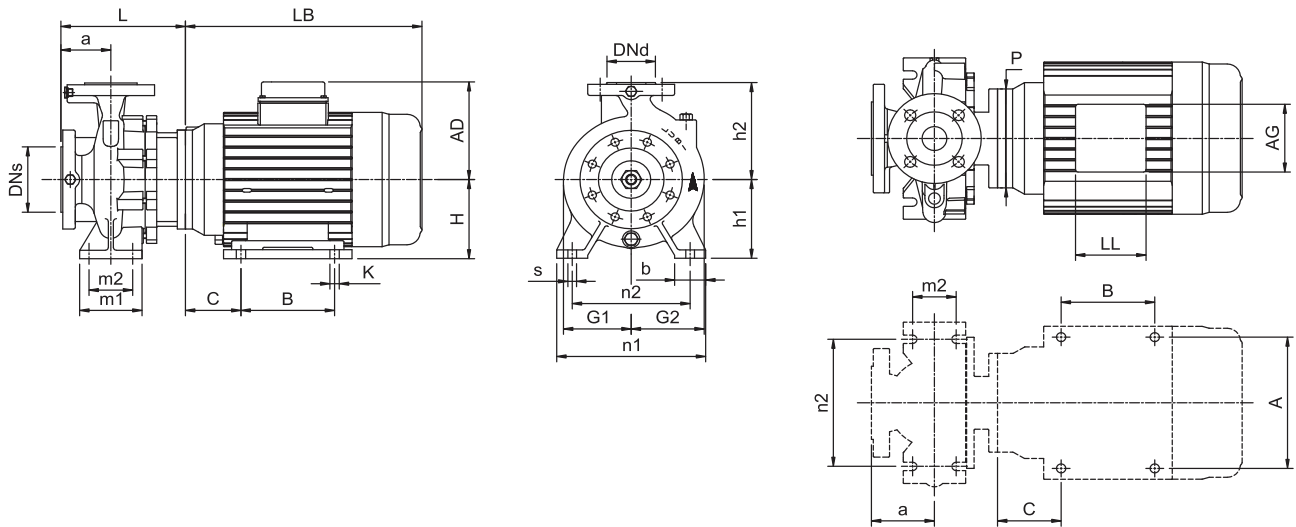
Technical Data

Single-stage end-suction pumps

LES 125-2502

2-pole

2 POLE



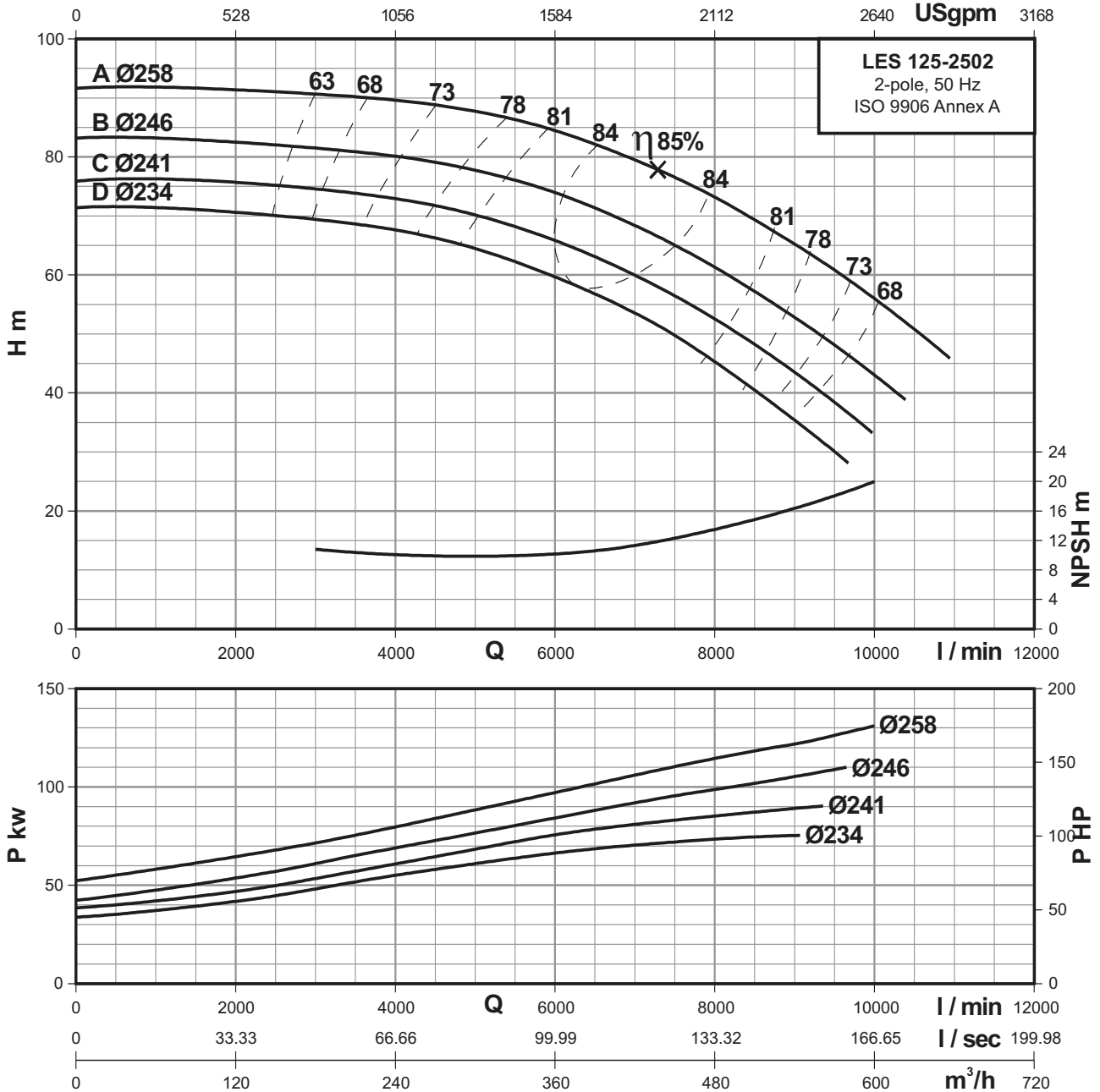
Power	[kw]	75	90	110	132
	[hp]	100	120	150	180
Frame		280S	280M	315S	315M
PN	[bar]	16	16	16	16
Code for Impeller diameter		D	C	B	A
DN _s	[mm]	150	150	150	150
DN _d	[mm]	125	125	125	125
a	[mm]	140	140	140	140
h ₂	[mm]	355	355	355	355
L	[mm]	457	457	443	443
h ₁	[mm]	250	250	250	250
G ₁	[mm]	206	206	206	206
G ₂	[mm]	250	250	250	250
m ₁	[mm]	160	160	160	160
m ₂	[mm]	120	120	120	120
n ₁	[mm]	400	400	400	400
n ₂	[mm]	315	315	315	315
b	[mm]	80	80	80	80
s	[mm]	18	18	18	18
H	[mm]	280	280	315	315
LB	[mm]	870	870	997	997
AD	[mm]	445	445	515	515
AG	[mm]	327	327	400	400
LL	[mm]	240	240	320	320
P	[mm]	550	550	660	660
C	[mm]	190	190	216	216
B	[mm]	368	419	406	457
A	[mm]	457	457	508	508
K	[mm]	24	24	28	28
Net Weight	[kg]	716	760	1012	1082
Gross Weight	[kg]	828	872	1151	1221
Volume	[m ³]	1.111	1.111	1.570	1.570

Performance curves

LES 125-2502

Single-stage end-suction pumps

2-pole



2 POLE

Performance Data At n=2900 RPM

MODEL	POWER		m³/h l/min	180	192	210	228	240	270	300	360	420	480	540	600	660
	KW	HP		3000	3200	3500	3800	4000	4500	5000	6000	7000	8000	9000	10000	11000
LES 125-2502D	75.0	100.0	H (m)	69.3	69	68.7	67.6	67.2	66	64.4	60	53.5	45	35	-	-
LES 125-2502C	90.0	120.0		74.5	74	73.8	73.5	73	71.8	70	65.8	60	52.6	43.8	33.5	-
LES 125-2502B	110.0	150.0		81.5	81	80.9	80.3	80	79	77.8	74	68.8	61	52.5	42.7	-
LES 125-2502A	132.0	180.0		91	90.5	90	89.6	89.3	89	87.6	84.3	79.2	73	65	56	45