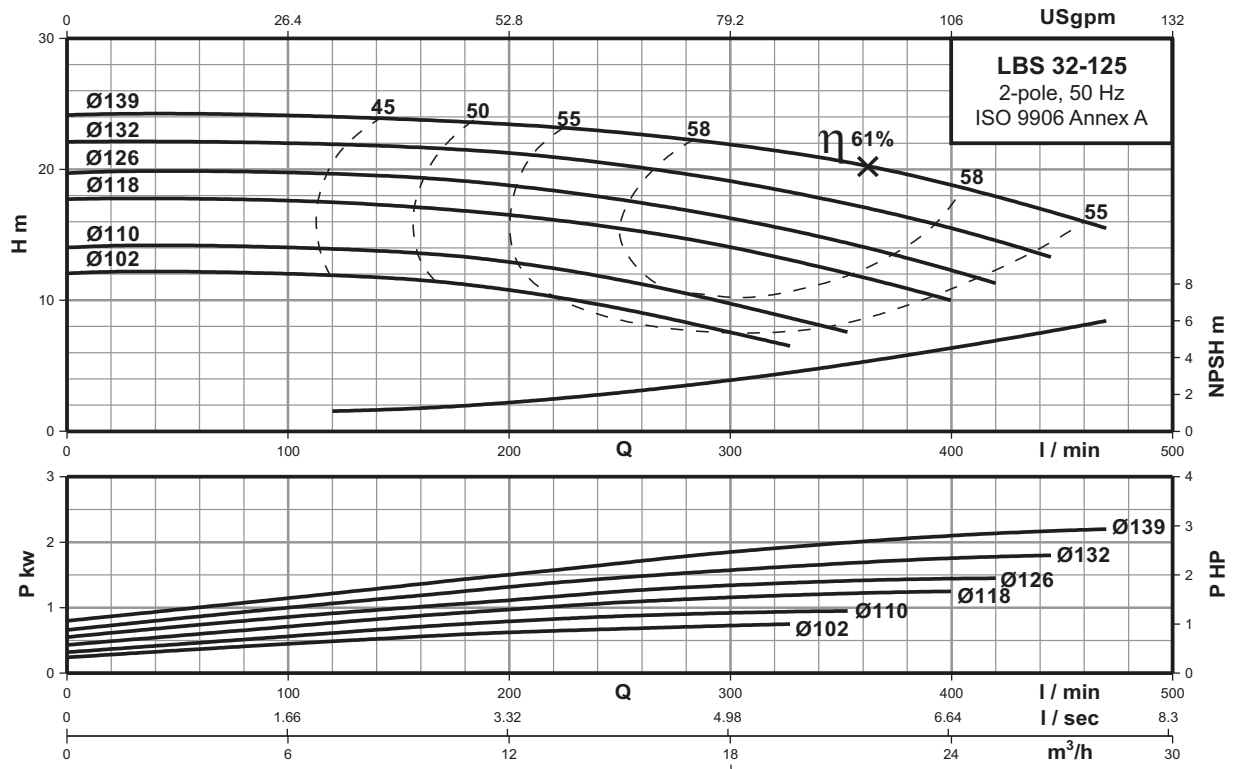


# Performance curves

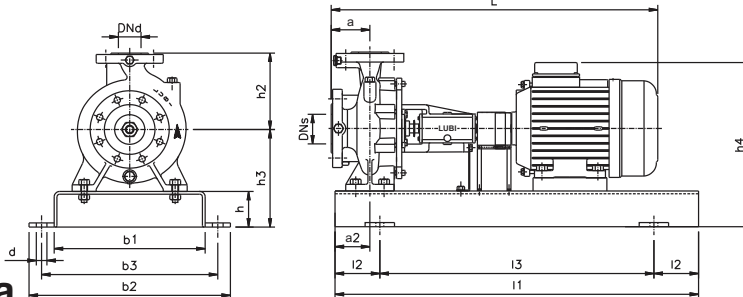
## LBS 32-125

### Single-stage bare shaft end-suction pumps

### 2-pole



**2 POLE**



### Technical data

Power	[kw]	0.75	1.1	1.5	2.2
	[hp]	1	1.5	2	3
Frame		80L	80L	90S	90L
PN	[bar]	16	16	16	16
DNs	[mm]	50	50	50	50
DNd	[mm]	32	32	32	32
a	[mm]	80	80	80	80
h2	[mm]	140	140	140	140
L	[mm]	722	722	766	780
l1	[mm]	800	800	800	900
l2	[mm]	130	130	130	150
l3	[mm]	540	540	540	600
b1	[mm]	270	270	270	300
b2	[mm]	360	360	360	390
b3	[mm]	320	320	320	350
d	[mm]	19	19	19	19
a2	[mm]	60	60	60	60
h	[mm]	65	65	65	65
h3	[mm]	177	177	177	177
h4	[mm]	295	295	266	303
Base frame no.		2	2	2	3
Net Weight	[kg]	51	52	57	62
Gross Weight	[kg]	61	62	67	72
Volume	[m³]	0.192	0.192	0.192	0.217

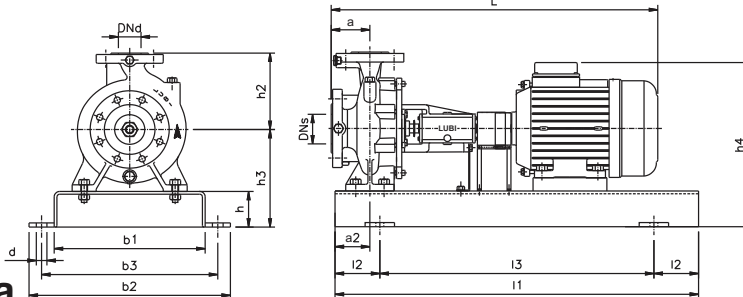
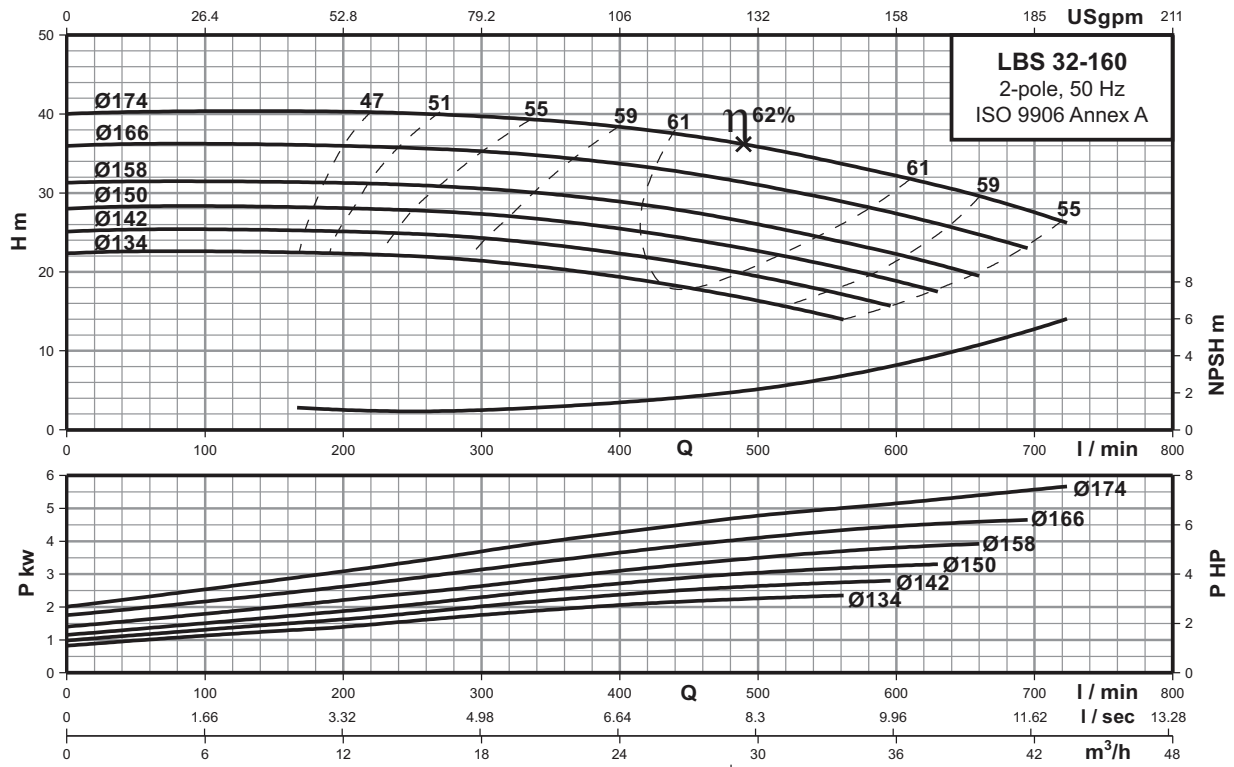
# Performance curves

## LBS 32-160

### Single-stage bare shaft end-suction pumps

### 2-pole

**2 POLE**



### Technical data

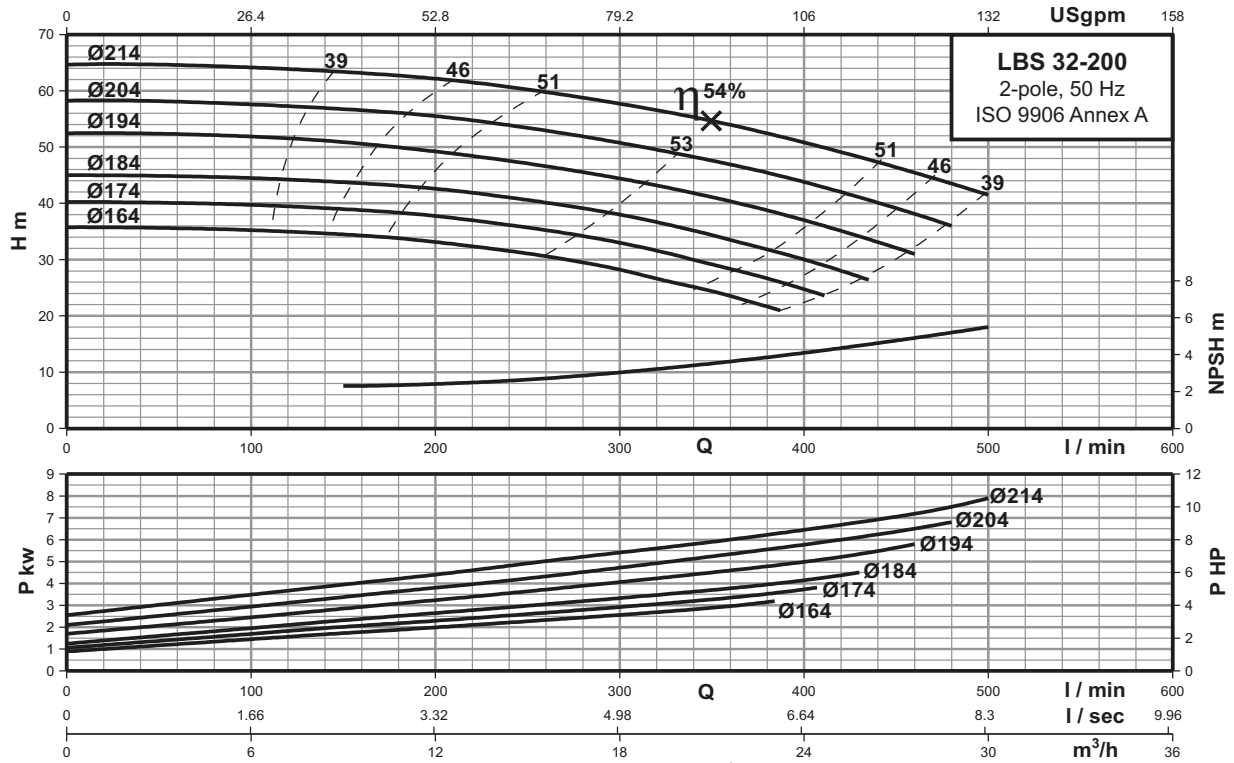
Power	[kw]	2.2	3	4	5.5
	[hp]	3	4	5.5	7.5
Frame		90L	100L	100L	132S
PN	[bar]	16	16	16	16
DNs	[mm]	50	50	50	50
DNd	[mm]	32	32	32	32
a	[mm]	80	80	80	80
h2	[mm]	160	160	160	160
L	[mm]	780	821	821	921
l1	[mm]	900	900	900	1000
l2	[mm]	150	150	150	170
l3	[mm]	600	600	600	660
b1	[mm]	300	300	300	340
b2	[mm]	390	390	390	450
b3	[mm]	350	350	350	400
d	[mm]	19	19	19	24
a2	[mm]	60	60	60	60
h	[mm]	65	65	65	80
h3	[mm]	197	197	197	212
h4	[mm]	323	349	349	416
Base frame no.		3	3	3	4
Net Weight	[kg]	71	85	86	122
Gross Weight	[kg]	81	95	96	186
Volume	[m³]	0.217	0.217	0.217	0.491

# Performance curves

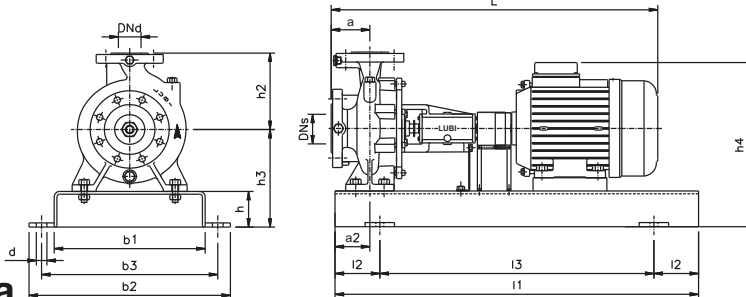
## LBS 32-200

### Single-stage bare shaft end-suction pumps

### 2-pole



**2 POLE**



### Technical data

Power	[kw]	3	4	5.5	7.5
	[hp]	4	5.5	7.5	10
Frame		100L	100L	132S	132M
PN	[bar]	16	16	16	16
DNs	[mm]	50	50	50	50
DNd	[mm]	32	32	32	32
a	[mm]	80	80	80	80
h2	[mm]	180	180	180	180
L	[mm]	821	821	921	959
i1	[mm]	900	900	1000	1000
i2	[mm]	150	150	170	170
i3	[mm]	600	600	660	660
b1	[mm]	300	300	340	340
b2	[mm]	390	390	450	450
b3	[mm]	350	350	400	400
d	[mm]	19	19	24	24
a2	[mm]	60	60	60	60
h	[mm]	65	65	80	80
h3	[mm]	225	225	240	240
h4	[mm]	377	377	444	444
Base frame no.		3	3	4	4
Net Weight	[kg]	90	91	127	136
Gross Weight	[kg]	100	101	191	200
Volume	[m <sup>3</sup> ]	0.217	0.217	0.491	0.491

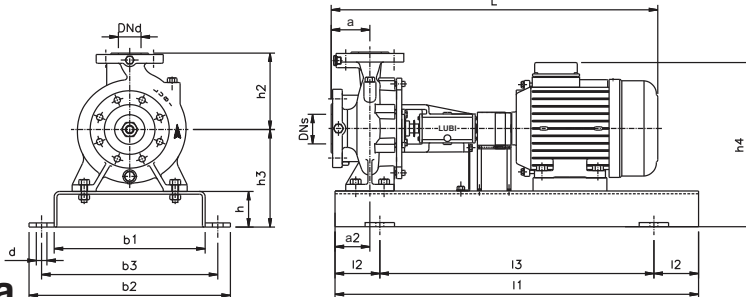
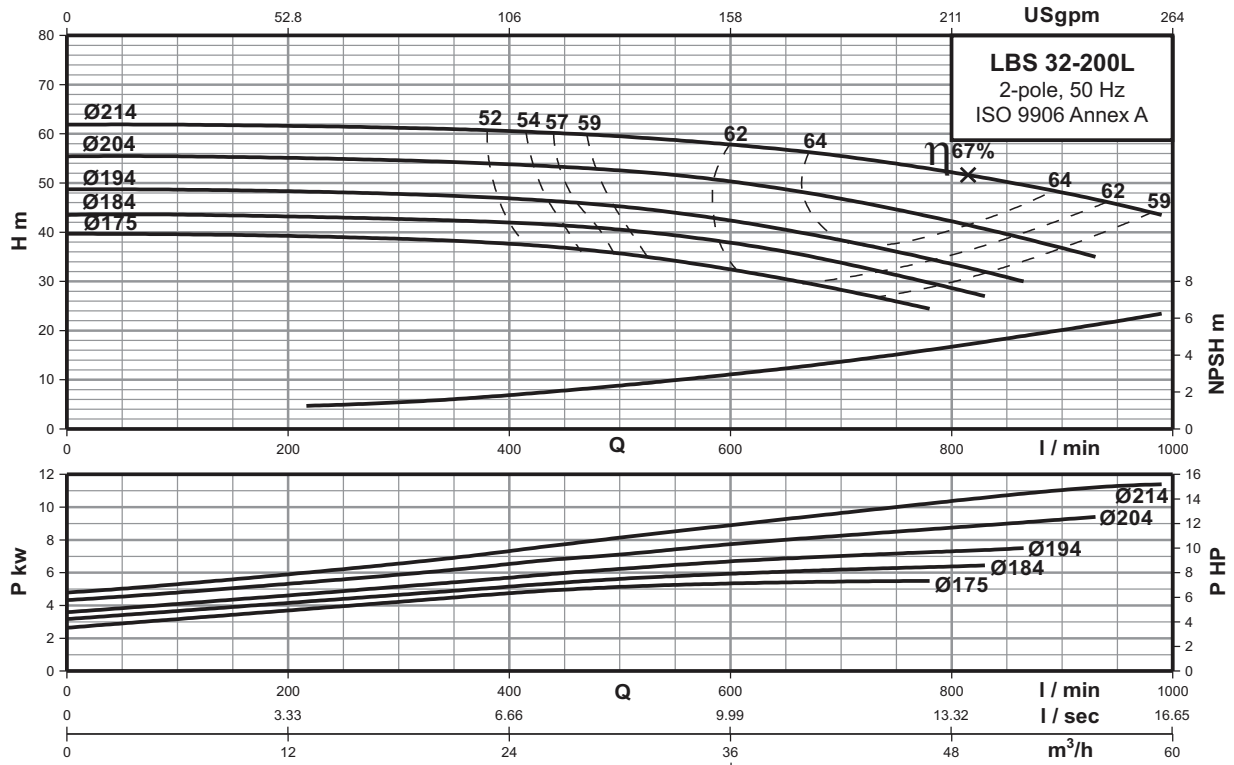
# Performance curves

## LBS 32-200L

### Single-stage bare shaft end-suction pumps

### 2-pole

**2 POLE**



### Technical data

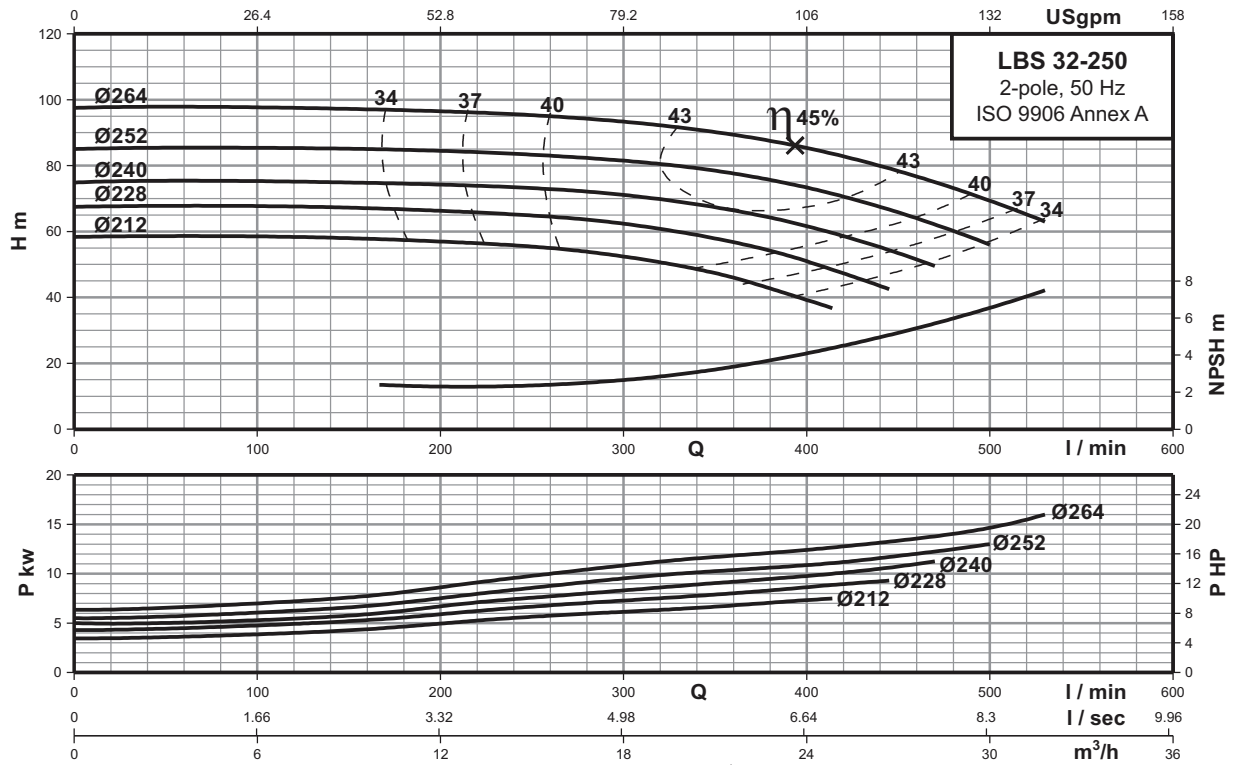
Power	[kw]	5.5	7.5	9.3	11
	[hp]	7.5	10	12.5	15
Frame		132S	132M	160M	160M
PN	[bar]	16	16	16	16
DNs	[mm]	50	50	50	50
DNd	[mm]	32	32	32	32
a	[mm]	80	80	80	80
h2	[mm]	180	180	180	180
L	[mm]	921	959	1059	1059
l1	[mm]	1000	1000	1120	1120
l2	[mm]	170	170	190	190
l3	[mm]	660	660	740	740
b1	[mm]	340	340	380	380
b2	[mm]	450	450	490	490
b3	[mm]	400	400	440	440
d	[mm]	24	24	24	24
a2	[mm]	60	60	60	60
h	[mm]	80	80	80	80
h3	[mm]	240	240	240	240
h4	[mm]	444	444	483	483
Base frame no.		4	4	5	5
Net Weight	[kg]	125	134	167	175
Gross Weight	[kg]	189	198	240	248
Volume	[m <sup>3</sup> ]	0.491	0.491	0.596	0.596

# Performance curves

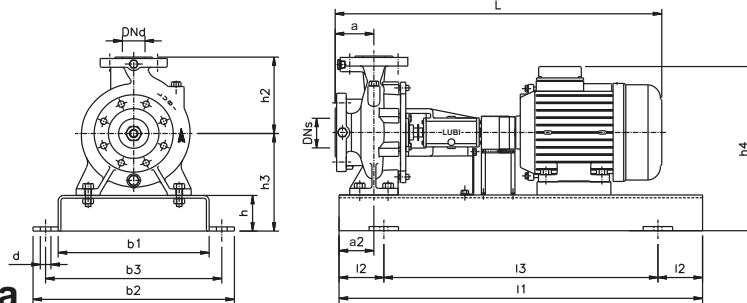
## LBS 32-250

### Single-stage bare shaft end-suction pumps

## 2-pole



**2 POLE**



### Technical data

Power	[kw]	7.5	9.3	11	15
	[hp]	10	12.5	15	20
Frame		132M	160M	160M	160M
PN	[bar]	16	16	16	16
DNs	[mm]	50	50	50	50
DNd	[mm]	32	32	32	32
a	[mm]	100	100	100	100
h2	[mm]	225	225	225	225
L	[mm]	979	1079	1079	1079
i1	[mm]	1120	1250	1250	1250
i2	[mm]	190	205	205	205
i3	[mm]	740	840	840	840
b1	[mm]	380	430	430	430
b2	[mm]	490	540	540	540
b3	[mm]	440	490	490	490
d	[mm]	24	24	24	24
a2	[mm]	75	75	75	75
h	[mm]	80	80	80	80
h3	[mm]	260	260	260	260
h4	[mm]	464	503	503	503
Base frame no.		5	6	6	6
Net Weight	[kg]	146	180	188	204
Gross Weight	[kg]	219	264	272	288
Volume	[m³]	0.596	0.731	0.731	0.731

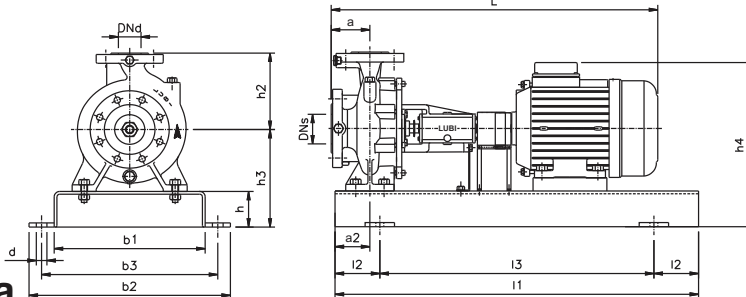
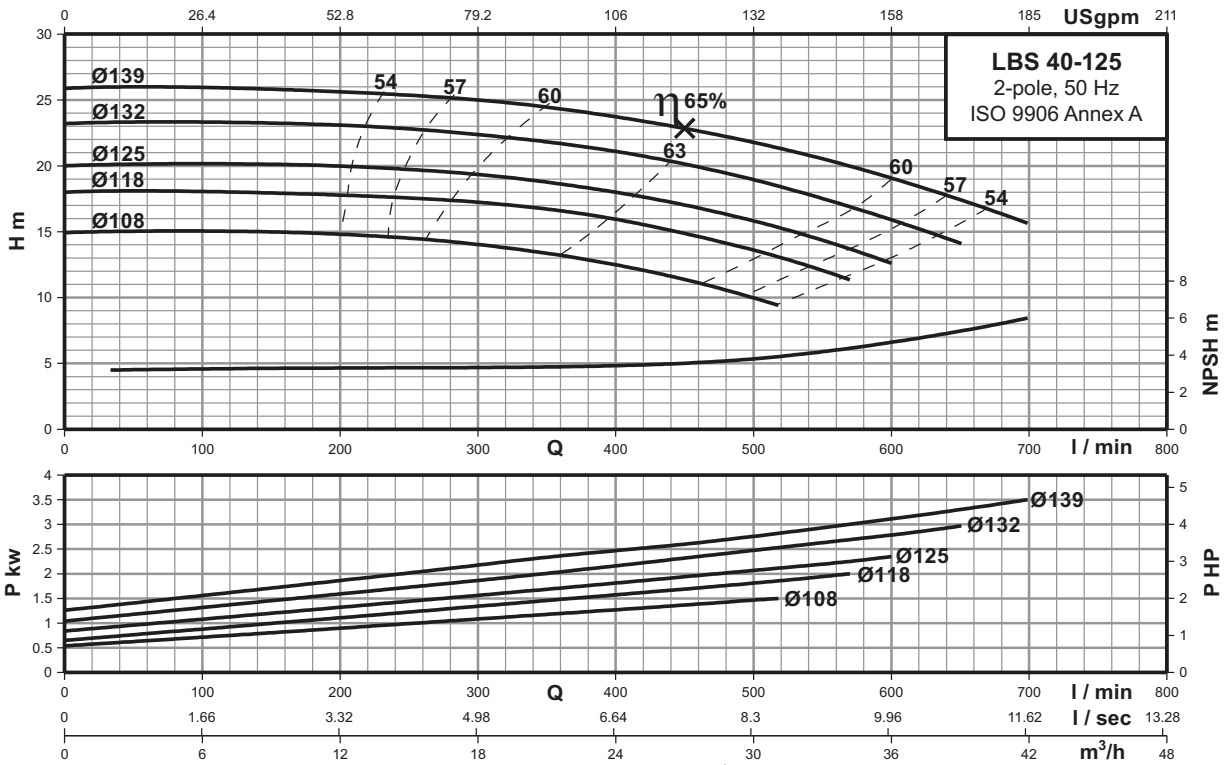
# Performance curves

# LBS 40-125

## Single-stage bare shaft end-suction pumps

# 2-pole

**2 POLE**



### Technical data

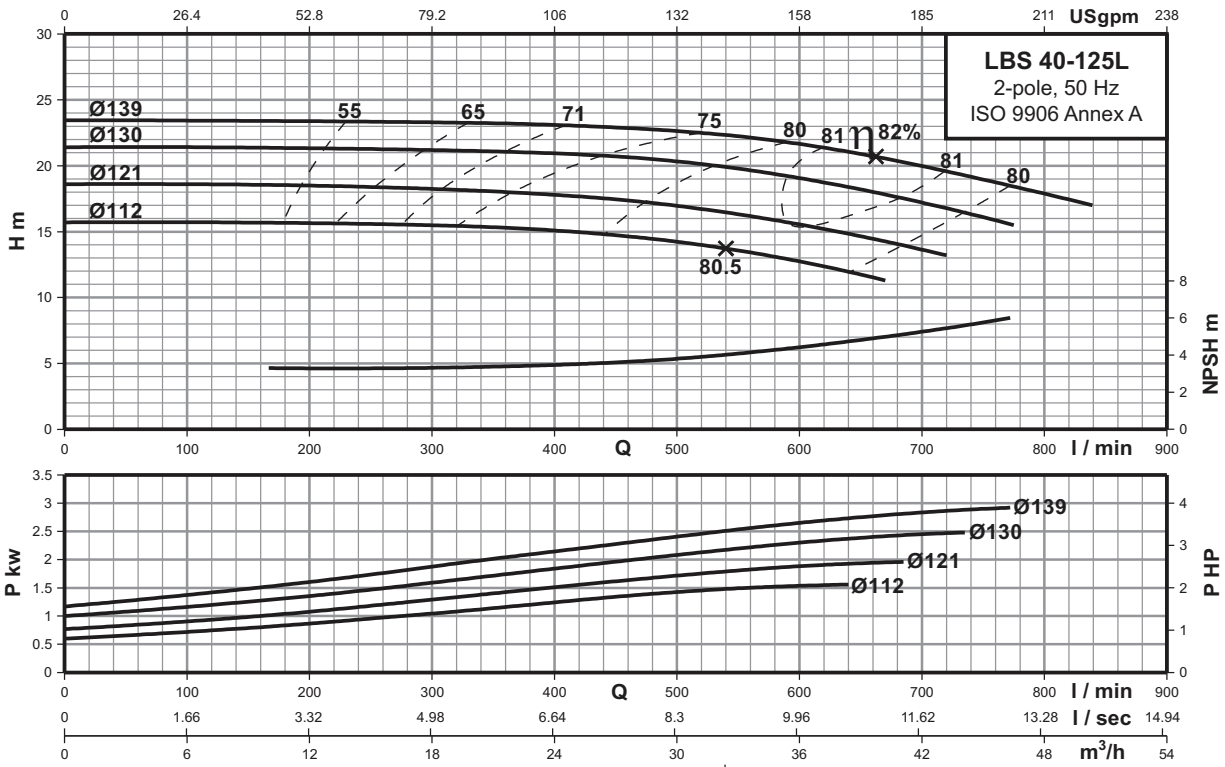
Power	[kw]	1.5	2.2	3	4
	[hp]	2	3	4	5.5
Frame		90S	90L	100L	100L
PN	[bar]	16	16	16	16
DNs	[mm]	65	65	65	65
DNd	[mm]	40	40	40	40
a	[mm]	80	80	80	80
h2	[mm]	140	140	140	140
L	[mm]	766	780	821	821
l1	[mm]	800	900	900	900
l2	[mm]	130	150	150	150
l3	[mm]	540	600	600	600
b1	[mm]	270	300	300	300
b2	[mm]	360	390	390	390
b3	[mm]	320	350	350	350
d	[mm]	19	19	19	19
a2	[mm]	60	60	60	60
h	[mm]	65	65	65	65
h3	[mm]	177	177	177	177
h4	[mm]	266	303	329	329
Base frame no.		2	3	3	3
Net Weight	[kg]	59	64	78	79
Gross Weight	[kg]	69	74	88	89
Volume	[m³]	0.217	0.217	0.217	0.217

# Performance curves

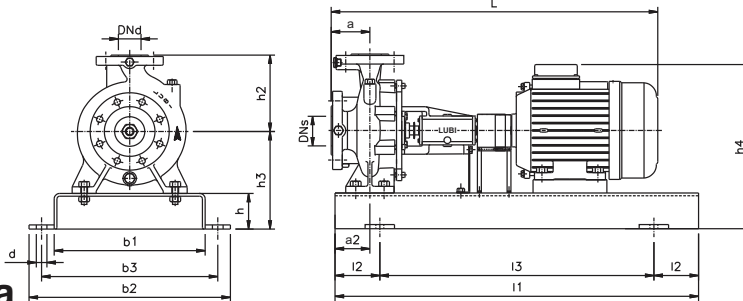
## LBS 40-125L

### Single-stage bare shaft end-suction pumps

### 2-pole



**2 POLE**



### Technical data

Power	[kw]	1.5	2.2	3
	[hp]	2	3	4
Frame		90S	90L	100L
PN	[bar]	16	16	16
DNs	[mm]	65	65	65
DNd	[mm]	40	40	40
a	[mm]	80	80	80
h2	[mm]	140	140	140
L	[mm]	766	780	821
i1	[mm]	800	900	900
i2	[mm]	130	150	150
i3	[mm]	540	600	600
b1	[mm]	270	300	300
b2	[mm]	360	390	390
b3	[mm]	320	350	350
d	[mm]	19	19	19
a2	[mm]	60	60	60
h	[mm]	65	65	65
h3	[mm]	177	177	177
h4	[mm]	266	303	329
Base frame no.		2	3	3
Net Weight	[kg]	59	64	78
Gross Weight	[kg]	69	74	88
Volume	[m³]	0.217	0.217	0.217

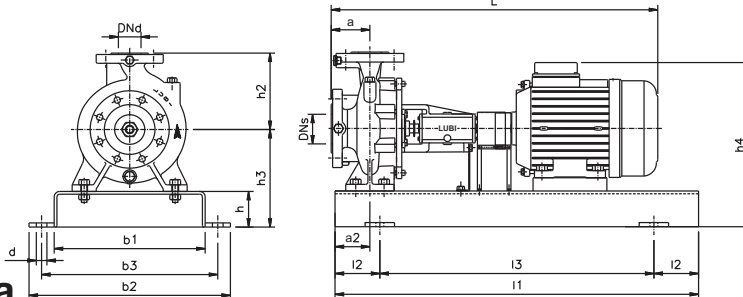
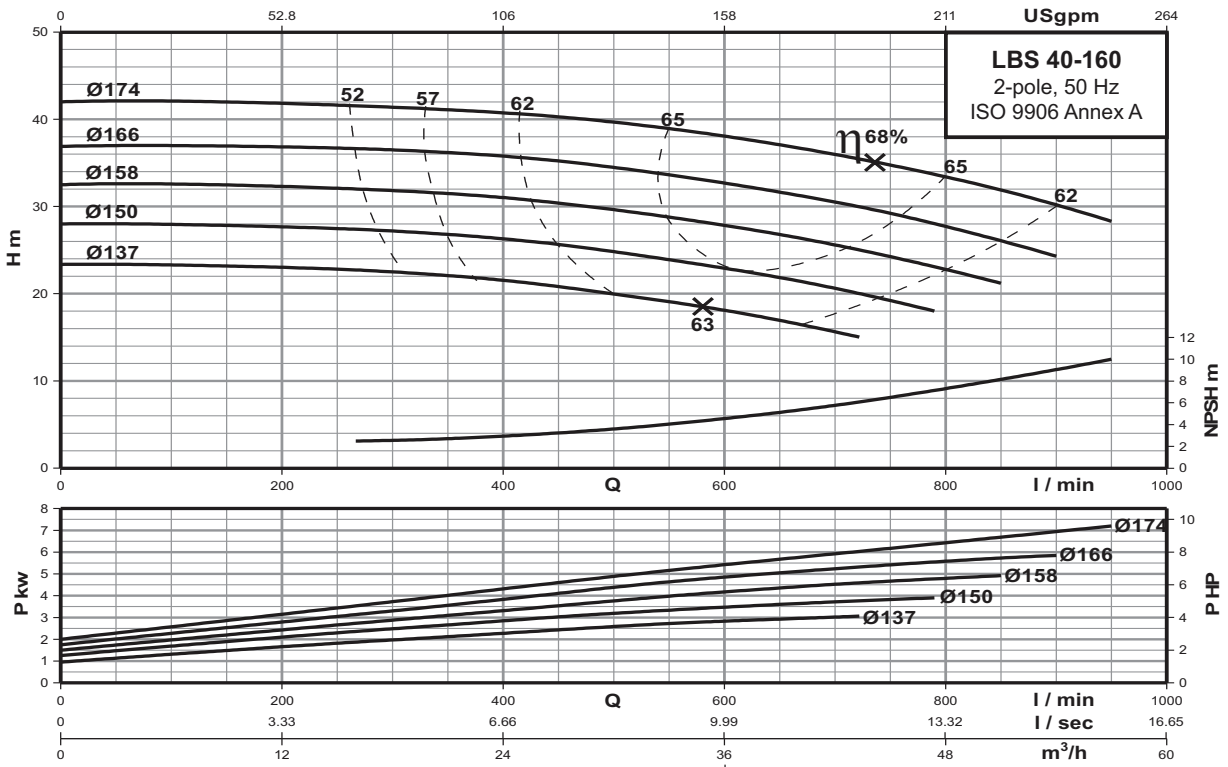
# Performance curves

## LBS 40-160

### Single-stage bare shaft end-suction pumps

### 2-pole

2 POLE



### Technical data

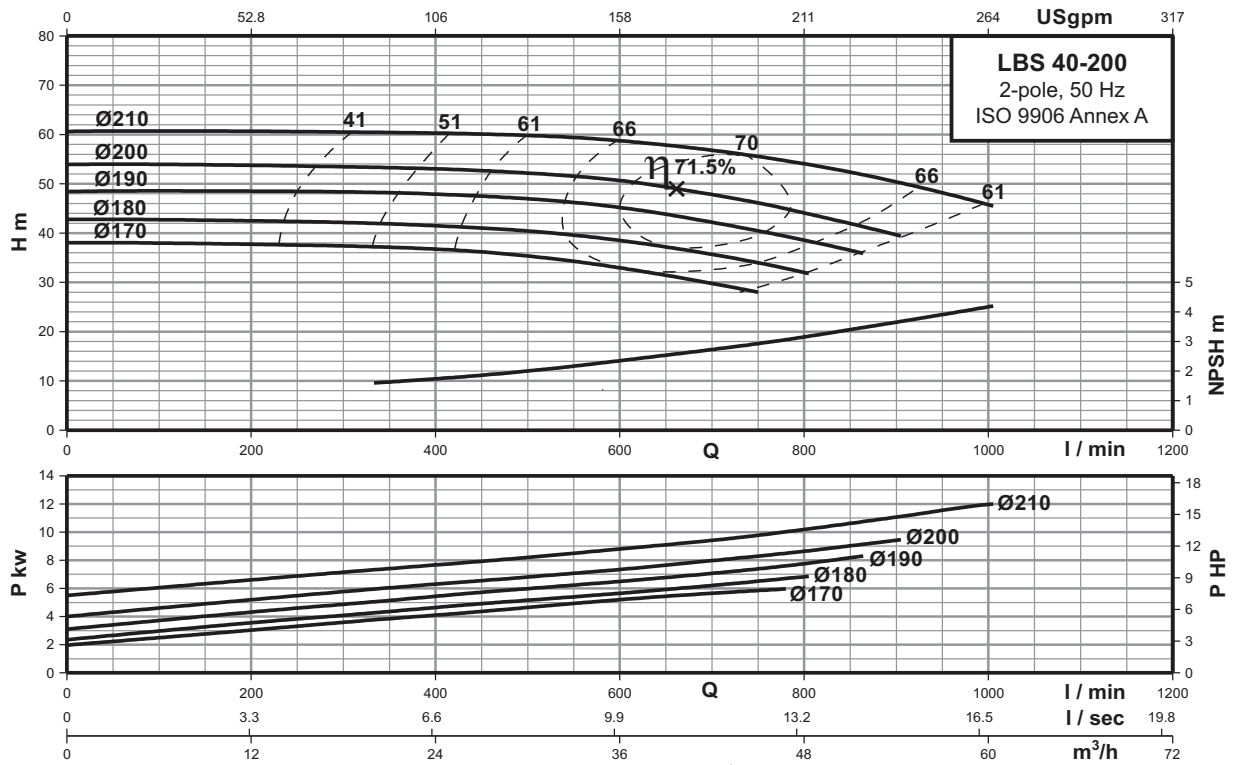
Power	[kw]	3	4	5.5	7.5
	[hp]	4	5.5	7.5	10
Frame		100L	100L	132S	132M
PN	[bar]	16	16	16	16
DNs	[mm]	65	65	65	65
DNd	[mm]	40	40	40	40
a	[mm]	80	80	80	80
h2	[mm]	160	160	160	160
L	[mm]	821	821	921	959
l1	[mm]	900	900	1000	1000
l2	[mm]	150	150	170	170
l3	[mm]	600	600	660	660
b1	[mm]	300	300	340	340
b2	[mm]	390	390	450	450
b3	[mm]	350	350	400	400
d	[mm]	19	19	24	24
a2	[mm]	60	60	60	60
h	[mm]	65	65	80	80
h3	[mm]	197	197	212	212
h4	[mm]	349	349	416	416
Base frame no.		3	3	4	4
Net Weight	[kg]	81	82	118	127
Gross Weight	[kg]	91	92	182	191
Volume	[m <sup>3</sup> ]	0.217	0.217	0.491	0.491

# Performance curves

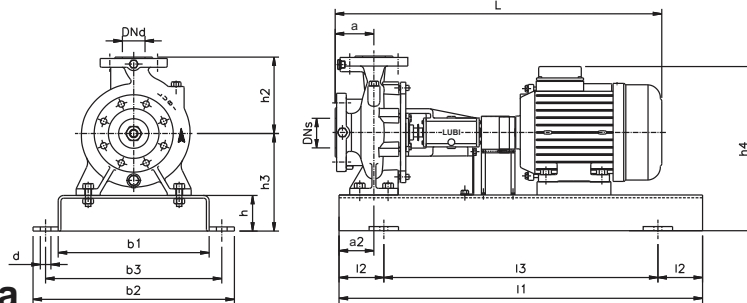
## LBS 40-200

### Single-stage bare shaft end-suction pumps

### 2-pole



**2 POLE**



### Technical data

Power	[kw]	5.5	7.5	9.3	11
	[hp]	7.5	10	12.5	15
Frame		132S	132M	160M	160M
PN	[bar]	16	16	16	16
DNs	[mm]	65	65	65	65
DNd	[mm]	40	40	40	40
a	[mm]	100	100	100	100
h2	[mm]	180	180	180	180
L	[mm]	941	979	1079	1079
i1	[mm]	1000	1000	1120	1120
i2	[mm]	170	170	190	190
i3	[mm]	660	660	740	740
b1	[mm]	340	340	380	380
b2	[mm]	450	450	490	490
b3	[mm]	400	400	440	440
d	[mm]	24	24	24	24
a2	[mm]	60	60	60	60
h	[mm]	80	80	80	80
h3	[mm]	240	240	240	240
h4	[mm]	444	444	483	483
Base frame no.		4	4	5	5
Net Weight	[kg]	123	132	165	173
Gross Weight	[kg]	187	196	238	246
Volume	[m³]	0.491	0.491	0.596	0.596

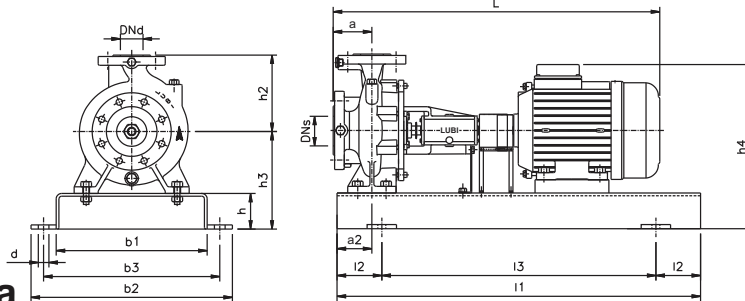
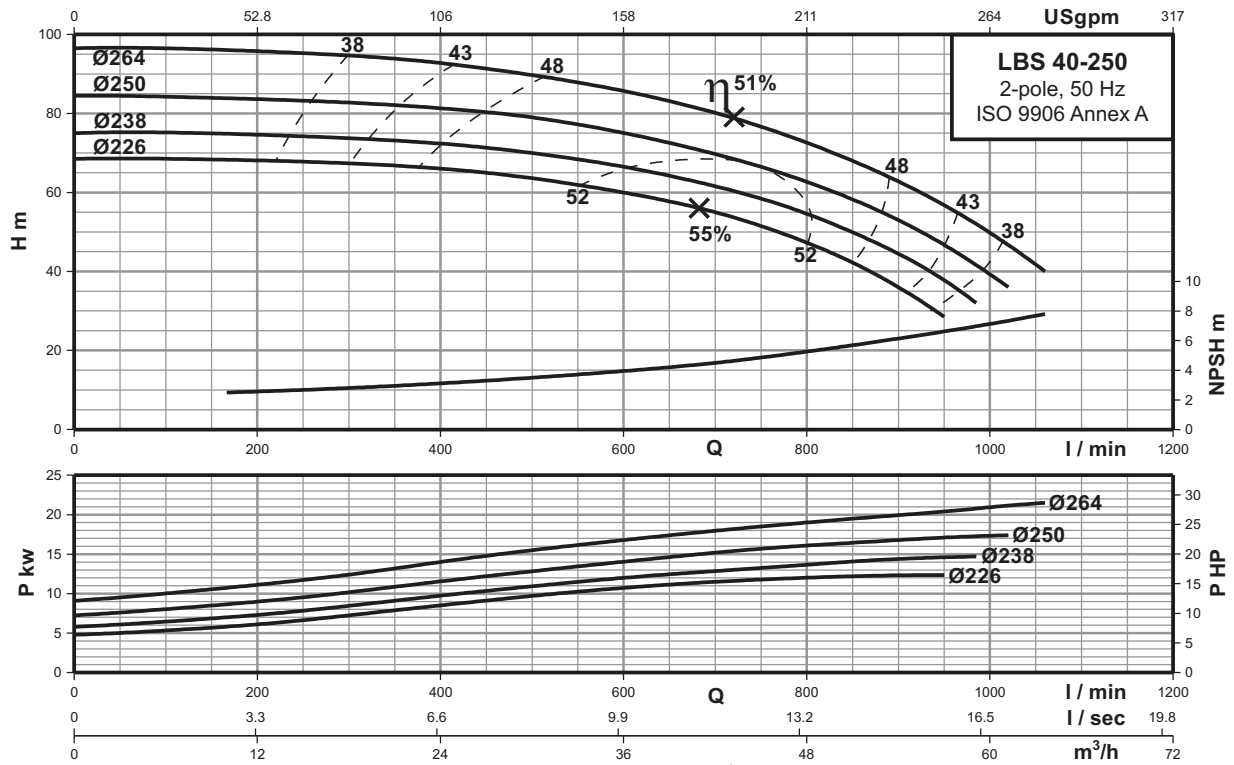
# Performance curves

## LBS 40-250

### Single-stage bare shaft end-suction pumps

### 2-pole

**2 POLE**



### Technical data

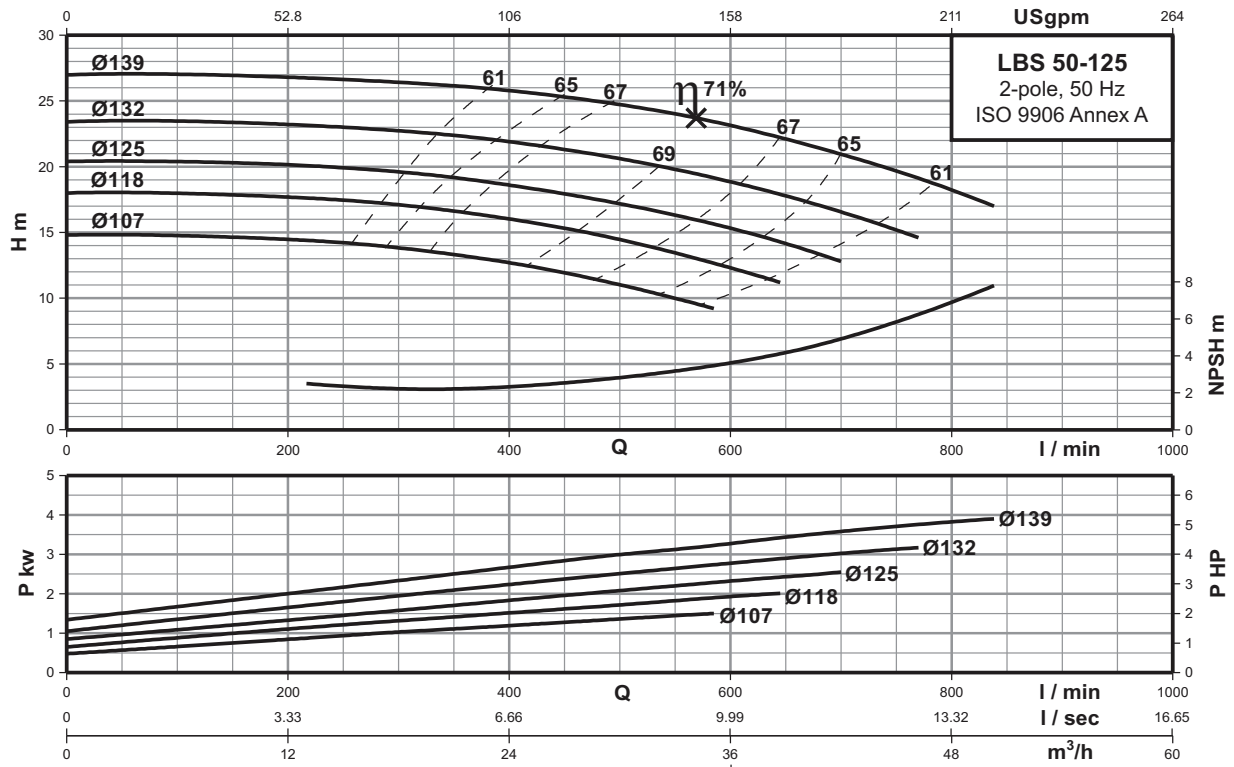
Power	[kw]	11	15	18.5	22
	[hp]	15	20	25	30
Frame		160M	160M	160L	180M
PN	[bar]	16	16	16	16
DNs	[mm]	65	65	65	65
DNd	[mm]	40	40	40	40
a	[mm]	100	100	100	100
h2	[mm]	225	225	225	225
L	[mm]	1079	1079	1121	1197
i1	[mm]	1250	1250	1250	1250
i2	[mm]	205	205	205	205
i3	[mm]	840	840	840	840
b1	[mm]	430	430	430	430
b2	[mm]	540	540	540	540
b3	[mm]	490	490	490	490
d	[mm]	24	24	24	24
a2	[mm]	75	75	75	75
h	[mm]	80	80	80	80
h3	[mm]	260	260	260	260
h4	[mm]	503	503	503	554
Base frame no.		6	6	6	6
Net Weight	[kg]	192	208	245	301
Gross Weight	[kg]	276	292	329	389
Volume	[m³]	0.731	0.731	0.731	0.782

# Performance curves

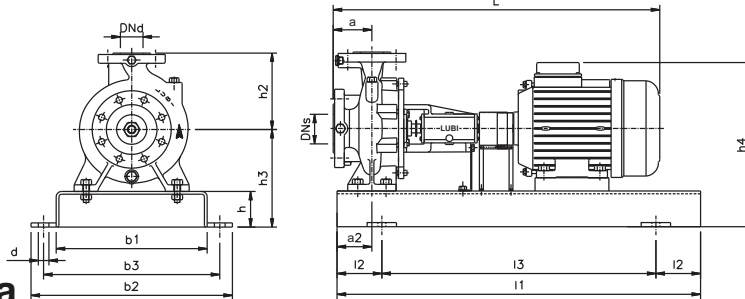
## LBS 50-125

### Single-stage bare shaft end-suction pumps

### 2-pole



**2 POLE**



## Technical data

Power	[kw]	1.5	2.2	3	4
	[hp]	2	3	4	5.5
Frame		90S	90L	100L	100L
PN	[bar]	16	16	16	16
DNs	[mm]	65	65	65	65
DNd	[mm]	50	50	50	50
a	[mm]	100	100	100	100
h2	[mm]	160	160	160	160
L	[mm]	786	800	841	841
l1	[mm]	800	900	900	900
l2	[mm]	130	150	150	150
l3	[mm]	540	600	600	600
b1	[mm]	270	300	300	300
b2	[mm]	360	390	390	390
b3	[mm]	320	350	350	350
d	[mm]	19	19	19	19
a2	[mm]	60	60	60	60
h	[mm]	65	65	65	65
h3	[mm]	197	197	197	197
h4	[mm]	286	323	349	349
Base frame no.		2	3	3	3
Net Weight	[kg]	61	66	80	81
Gross Weight	[kg]	71	76	90	91
Volume	[m <sup>3</sup> ]	0.192	0.217	0.217	0.217

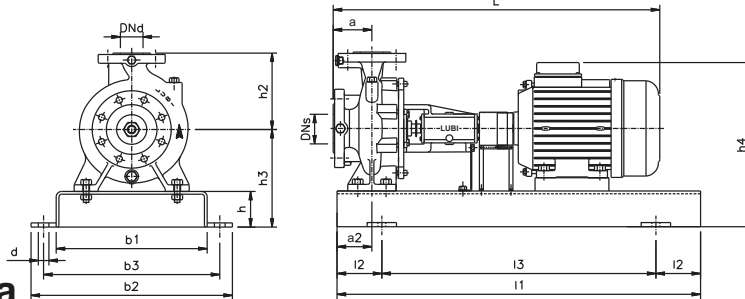
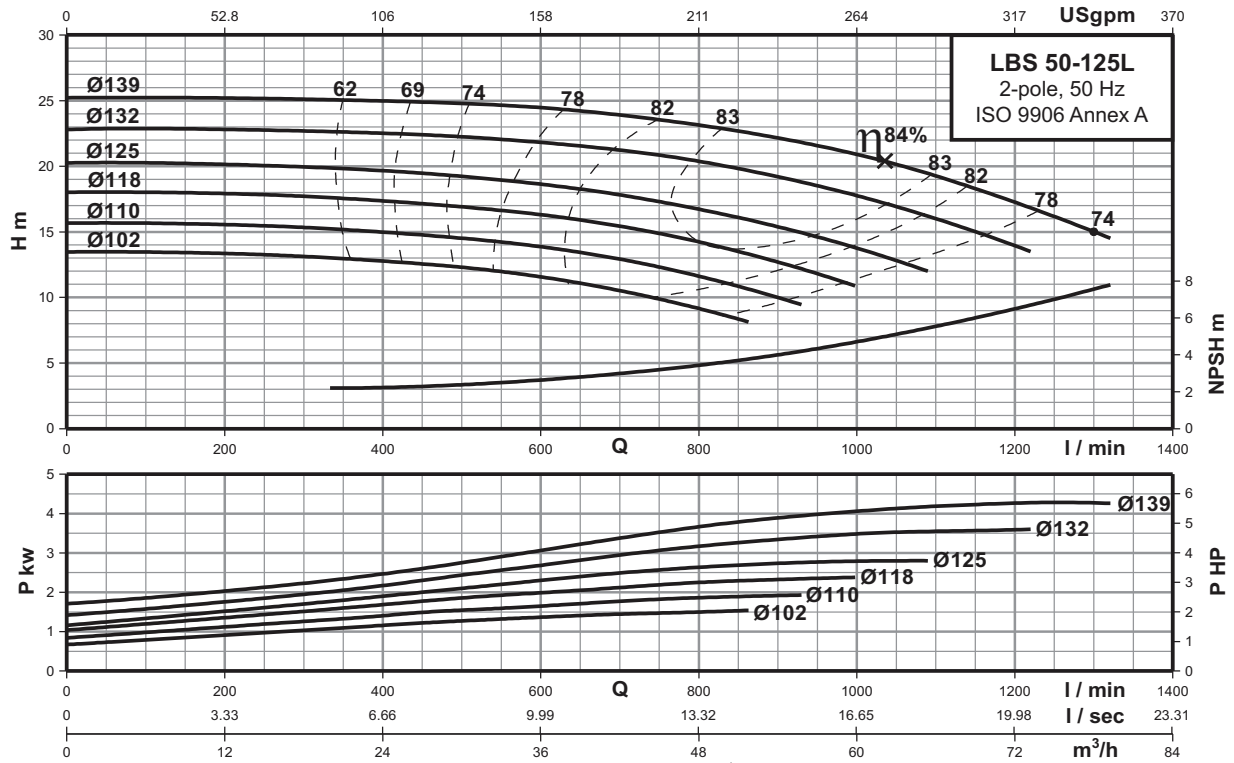
# Performance curves

## LBS 50-125L

### Single-stage bare shaft end-suction pumps

### 2-pole

**2 POLE**



### Technical data

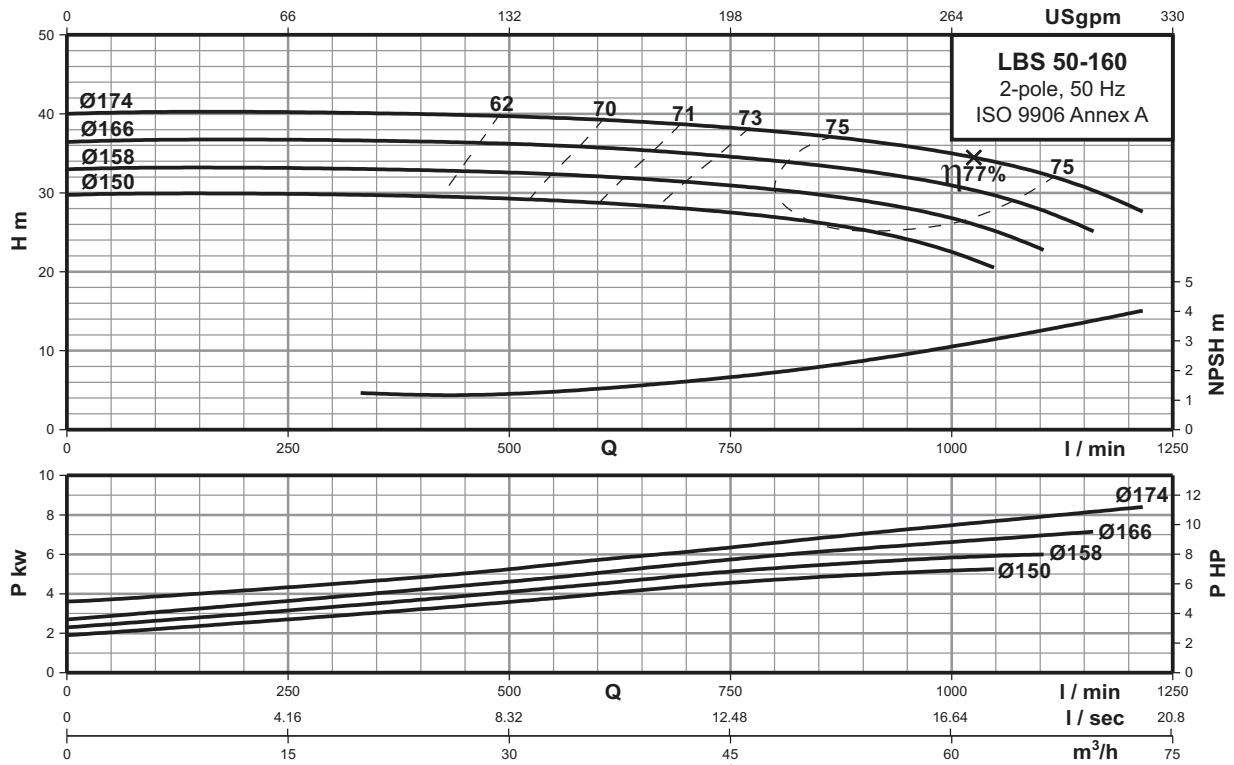
Power	[kw]	1.5	2.2	3	4
	[hp]	2	3	4	5.5
Frame		90S	90L	100L	100L
PN	[bar]	16	16	16	16
DNs	[mm]	65	65	65	65
DNd	[mm]	50	50	50	50
a	[mm]	100	100	100	100
h2	[mm]	160	160	160	160
L	[mm]	786	800	841	841
l1	[mm]	800	900	900	900
l2	[mm]	130	150	150	150
l3	[mm]	540	600	600	600
b1	[mm]	270	300	300	300
b2	[mm]	360	390	390	390
b3	[mm]	320	350	350	350
d	[mm]	19	19	19	19
a2	[mm]	60	60	60	60
h	[mm]	65	65	65	65
h3	[mm]	197	197	197	197
h4	[mm]	286	323	349	349
Base frame no.		2	3	3	3
Net Weight	[kg]	61	66	80	81
Gross Weight	[kg]	71	76	90	91
Volume	[m³]	0.192	0.217	0.217	0.217

# Performance curves

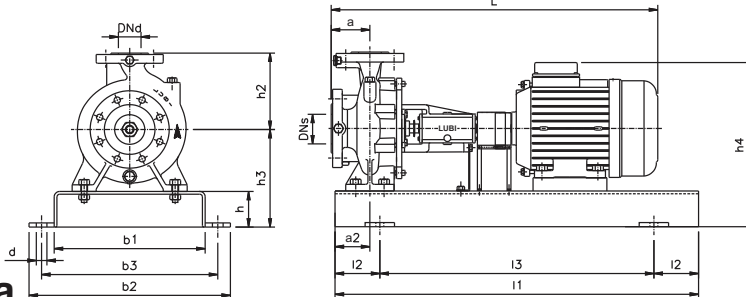
## LBS 50-160

### Single-stage bare shaft end-suction pumps

### 2-pole



**2 POLE**



### Technical data

Power	[kw]	4	5.5	7.5	9.3
	[hp]	5.5	7.5	10	12.5
Frame		100L	132S	132M	160M
PN	[bar]	16	16	16	16
DNs	[mm]	65	65	65	65
DNd	[mm]	50	50	50	50
a	[mm]	100	100	100	100
h2	[mm]	180	180	180	180
L	[mm]	841	941	979	1079
l1	[mm]	900	1000	1000	1120
l2	[mm]	150	170	170	190
l3	[mm]	600	660	660	740
b1	[mm]	300	340	340	380
b2	[mm]	390	450	450	490
b3	[mm]	350	400	400	440
d	[mm]	19	24	24	24
a2	[mm]	60	60	60	60
h	[mm]	65	80	80	80
h3	[mm]	225	240	240	240
h4	[mm]	377	444	444	483
Base frame no.		3	4	4	5
Net Weight	[kg]	86	122	131	164
Gross Weight	[kg]	96	186	195	237
Volume	[m³]	0.217	0.491	0.491	0.596

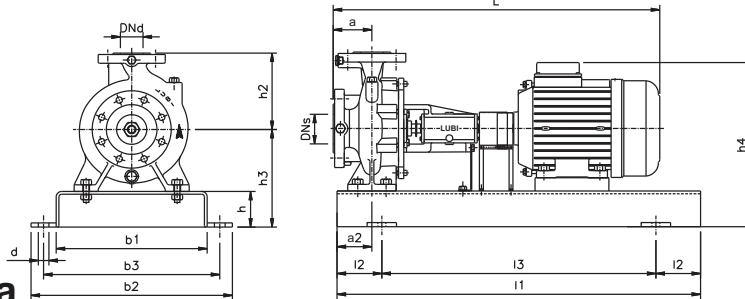
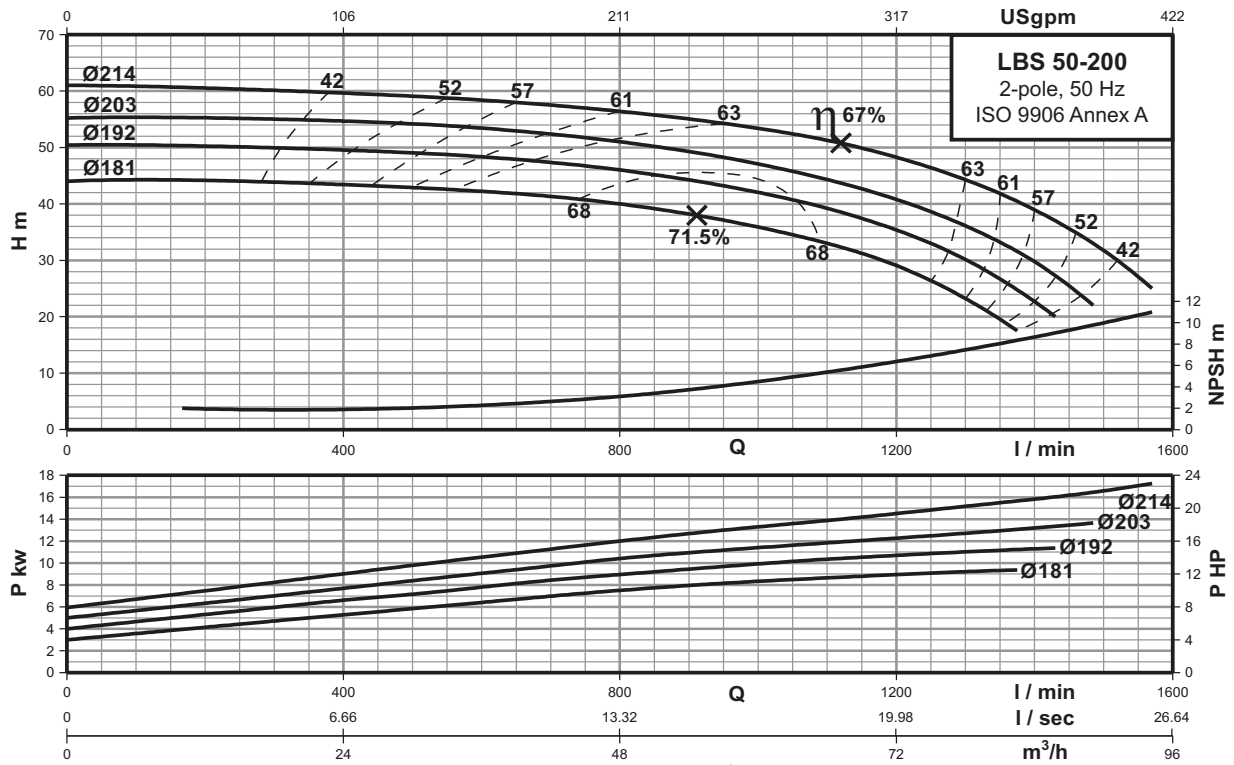
# Performance curves

## LBS 50-200

### Single-stage bare shaft end-suction pumps

## 2-pole

**2 POLE**



### Technical data

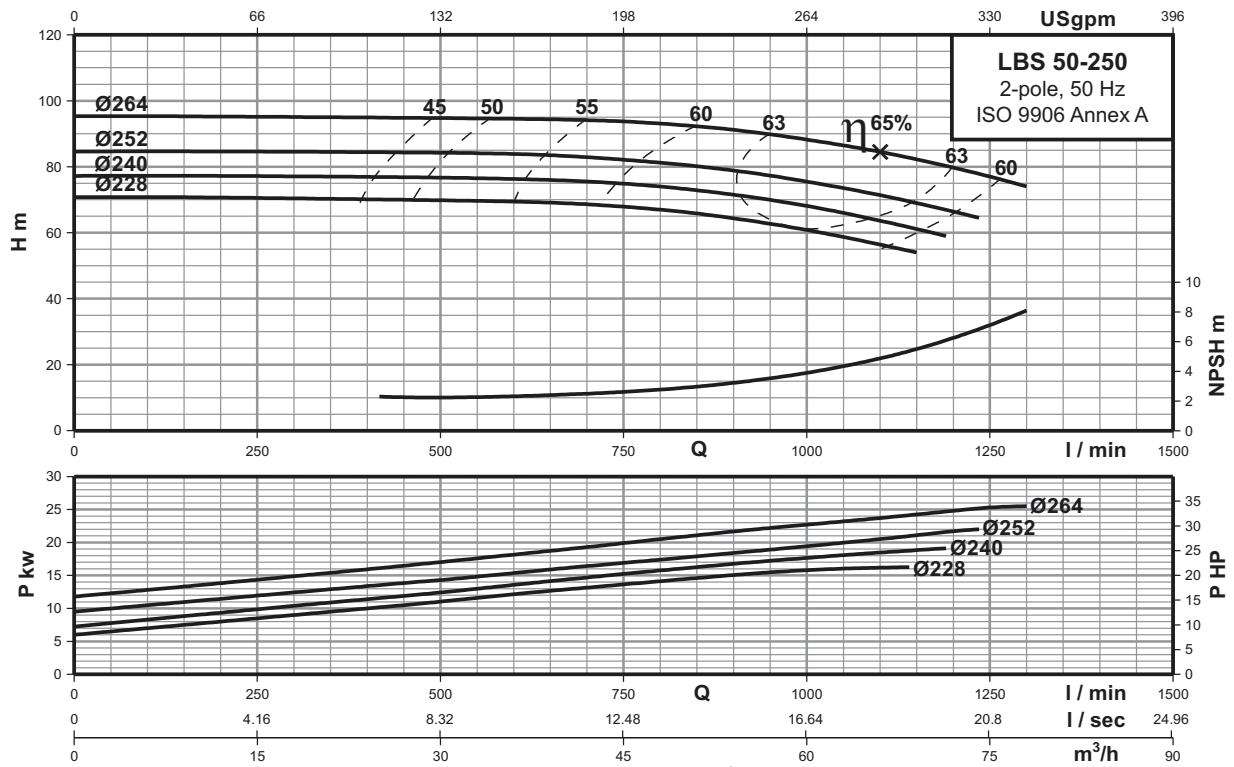
Power	[kw]	9.3	11	15	18.5
	[hp]	12.5	15	20	25
Frame		160M	160M	160M	160L
PN	[bar]	16	16	16	16
DNs	[mm]	65	65	65	65
DNd	[mm]	50	50	50	50
a	[mm]	100	100	100	100
h2	[mm]	200	200	200	200
L	[mm]	1079	1079	1079	1121
i1	[mm]	1120	1120	1120	1120
i2	[mm]	190	190	190	190
i3	[mm]	740	740	740	740
b1	[mm]	380	380	380	380
b2	[mm]	490	490	490	490
b3	[mm]	440	440	440	440
d	[mm]	24	24	24	24
a2	[mm]	60	60	60	60
h	[mm]	80	80	80	80
h3	[mm]	240	240	240	240
h4	[mm]	483	483	483	483
Base frame no.		5	5	5	5
Net Weight	[kg]	168	176	192	229
Gross Weight	[kg]	241	249	265	302
Volume	[m³]	0.596	0.596	0.596	0.596

# Performance curves

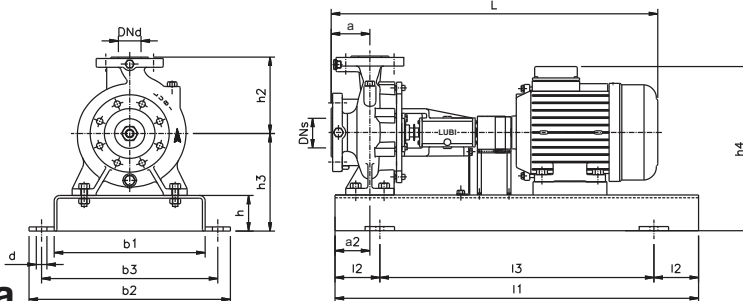
## LBS 50-250

### Single-stage bare shaft end-suction pumps

## 2-pole



**2 POLE**



### Technical data

Power	[kw]	15	18.5	22	30
	[hp]	20	25	30	40
Frame		160M	160L	180M	200L
PN	[bar]	16	16	16	16
DNs	[mm]	65	65	65	65
DNd	[mm]	50	50	50	50
a	[mm]	100	100	100	100
h2	[mm]	225	225	225	225
L	[mm]	1079	1121	1197	1263
i1	[mm]	1250	1250	1250	1400
i2	[mm]	205	205	205	230
i3	[mm]	840	840	840	940
b1	[mm]	430	430	430	480
b2	[mm]	540	540	540	610
b3	[mm]	490	490	490	550
d	[mm]	24	24	24	28
a2	[mm]	75	75	75	75
h	[mm]	80	80	80	100
h3	[mm]	260	260	260	300
h4	[mm]	503	503	554	606
Base frame no.		6	6	6	7
Net Weight	[kg]	210	247	303	376
Gross Weight	[kg]	294	331	391	481
Volume	[m³]	0.731	0.731	0.782	1.038

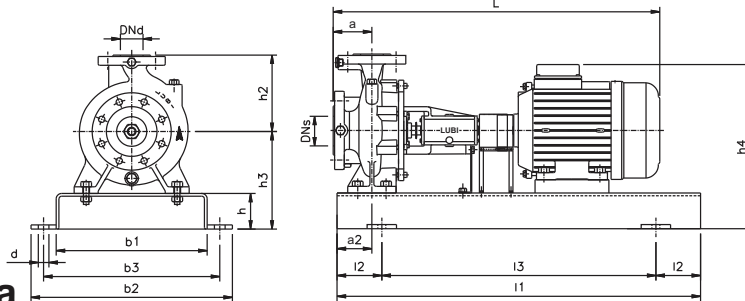
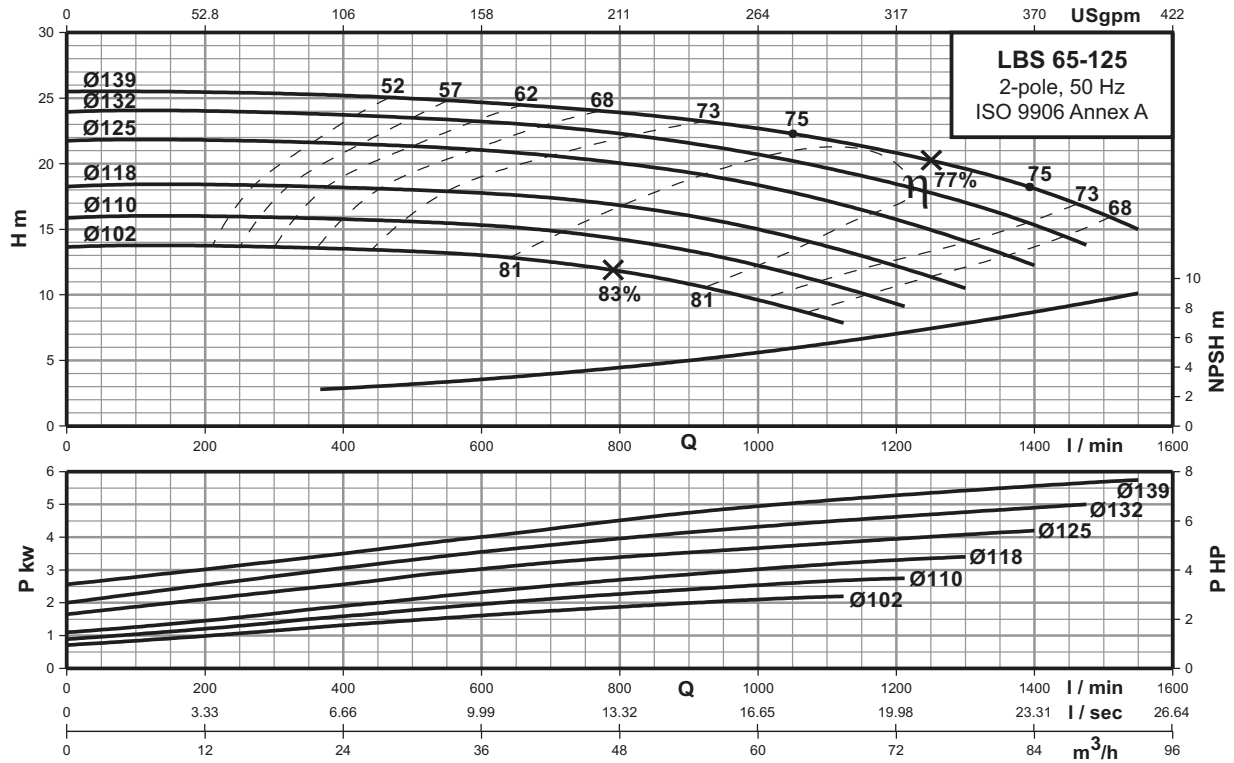
# Performance curves

## LBS 65-125

### Single-stage bare shaft end-suction pumps

## 2-pole

**2 POLE**



### Technical data

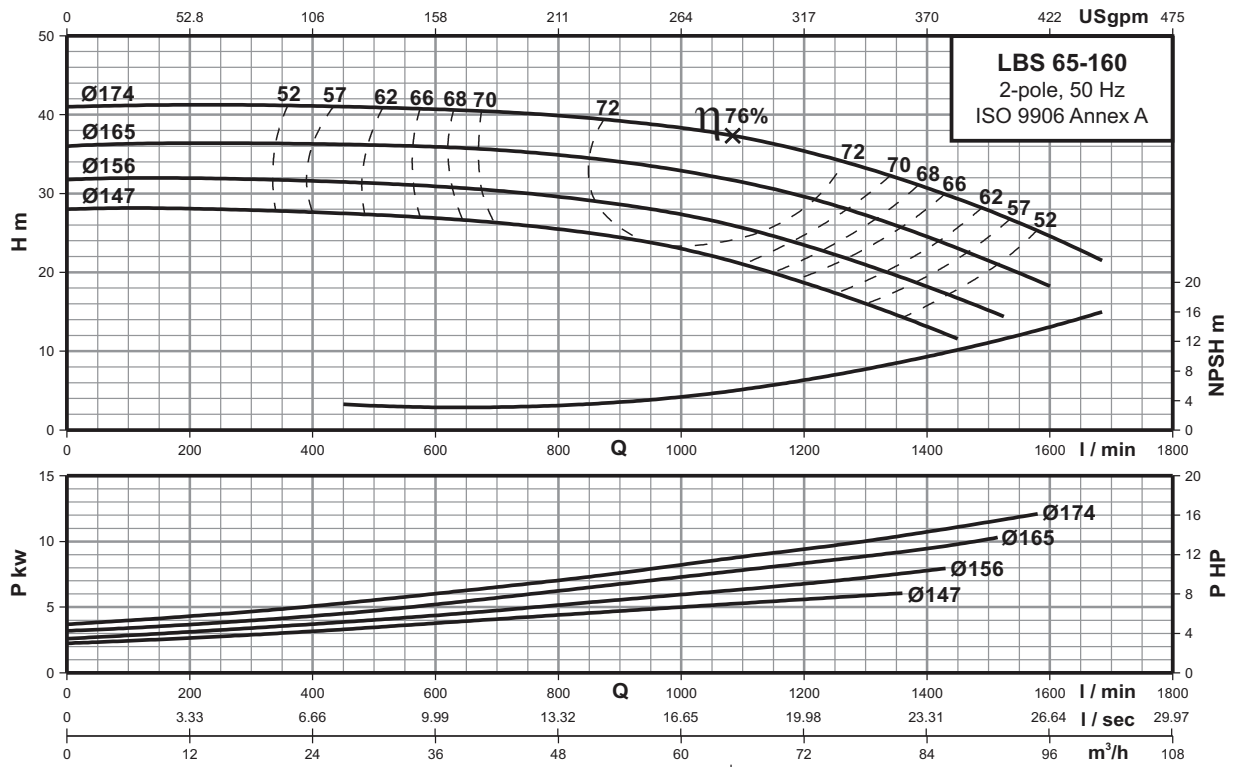
Power	[kw]	2.2	3	4	5.5
	[hp]	3	4	5.5	7.5
Frame		90L	100L	100L	132S
PN	[bar]	16	16	16	16
DNs	[mm]	80	80	80	80
DNd	[mm]	65	65	65	65
a	[mm]	100	100	100	100
h2	[mm]	180	180	180	180
L	[mm]	800	841	841	941
i1	[mm]	900	900	900	1000
i2	[mm]	150	150	150	170
i3	[mm]	600	600	600	660
b1	[mm]	300	300	300	340
b2	[mm]	390	390	390	450
b3	[mm]	350	350	350	400
d	[mm]	19	19	19	24
a2	[mm]	75	75	75	75
h	[mm]	65	65	65	80
h3	[mm]	225	225	225	240
h4	[mm]	351	377	377	444
Base frame no.		3	3	3	4
Net Weight	[kg]	73	87	88	124
Gross Weight	[kg]	83	97	98	188
Volume	[m <sup>3</sup> ]	0.217	0.217	0.217	0.491

# Performance curves

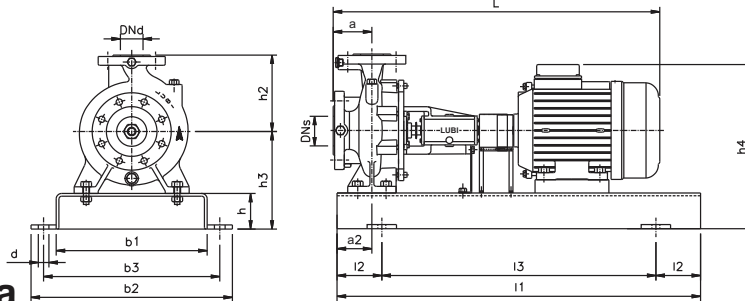
## LBS 65-160

### Single-stage bare shaft end-suction pumps

### 2-pole



**2 POLE**



### Technical data

Power	[kw]	5.5	7.5	9.3	11
	[hp]	7.5	10	12.5	15
Frame		132S	132M	160M	160M
PN	[bar]	16	16	16	16
DNs	[mm]	80	80	80	80
DNd	[mm]	65	65	65	65
a	[mm]	100	100	100	100
h2	[mm]	200	200	200	200
L	[mm]	941	979	1079	1079
i1	[mm]	1000	1000	1120	1120
i2	[mm]	170	170	190	190
i3	[mm]	660	660	740	740
b1	[mm]	340	340	380	380
b2	[mm]	450	450	490	490
b3	[mm]	400	400	440	440
d	[mm]	24	24	24	24
a2	[mm]	75	75	75	75
h	[mm]	80	80	80	80
h3	[mm]	240	240	240	240
h4	[mm]	444	444	483	483
Base frame no.		4	4	5	5
Net Weight	[kg]	130	139	172	180
Gross Weight	[kg]	194	203	245	253
Volume	[m³]	0.491	0.491	0.596	0.596

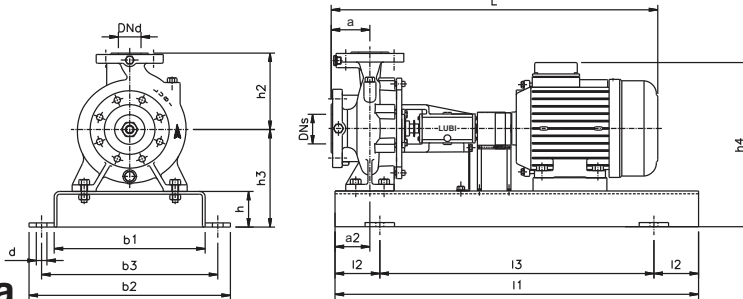
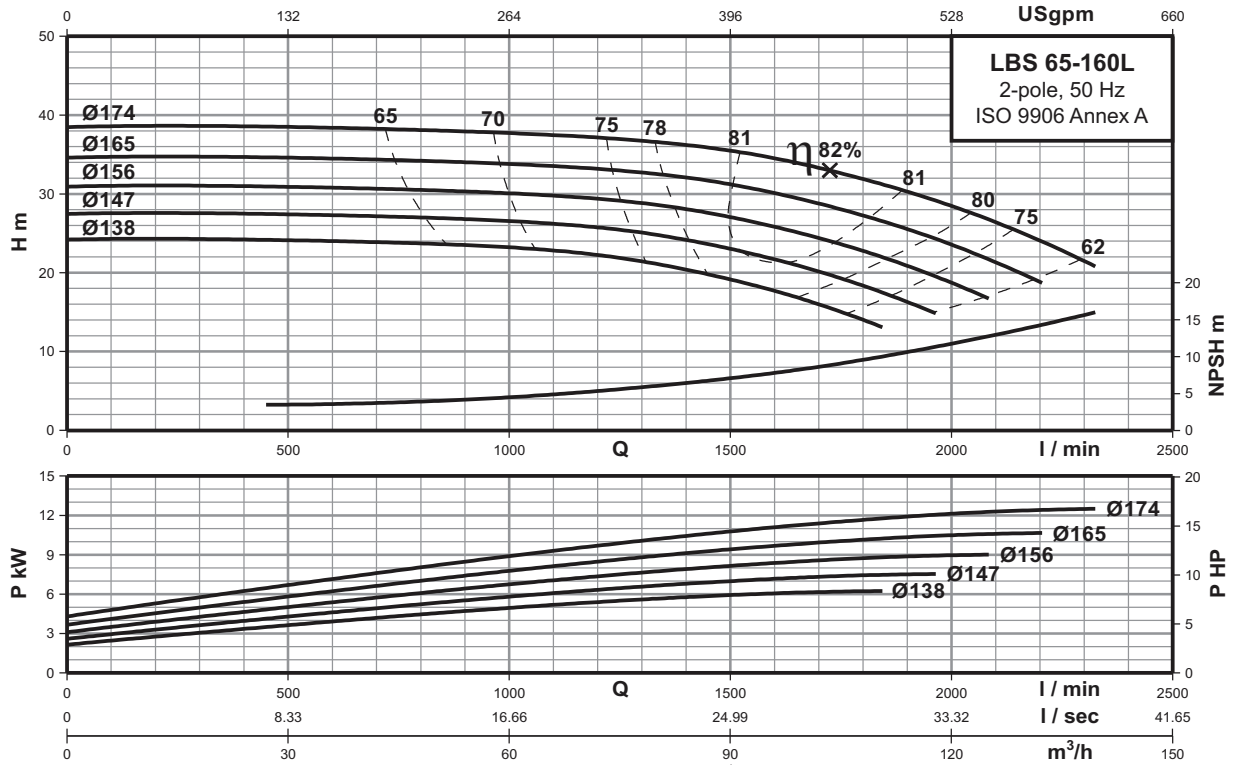
# Performance curves

## LBS 65-160L

### Single-stage bare shaft end-suction pumps

### 2-pole

2 POLE



### Technical data

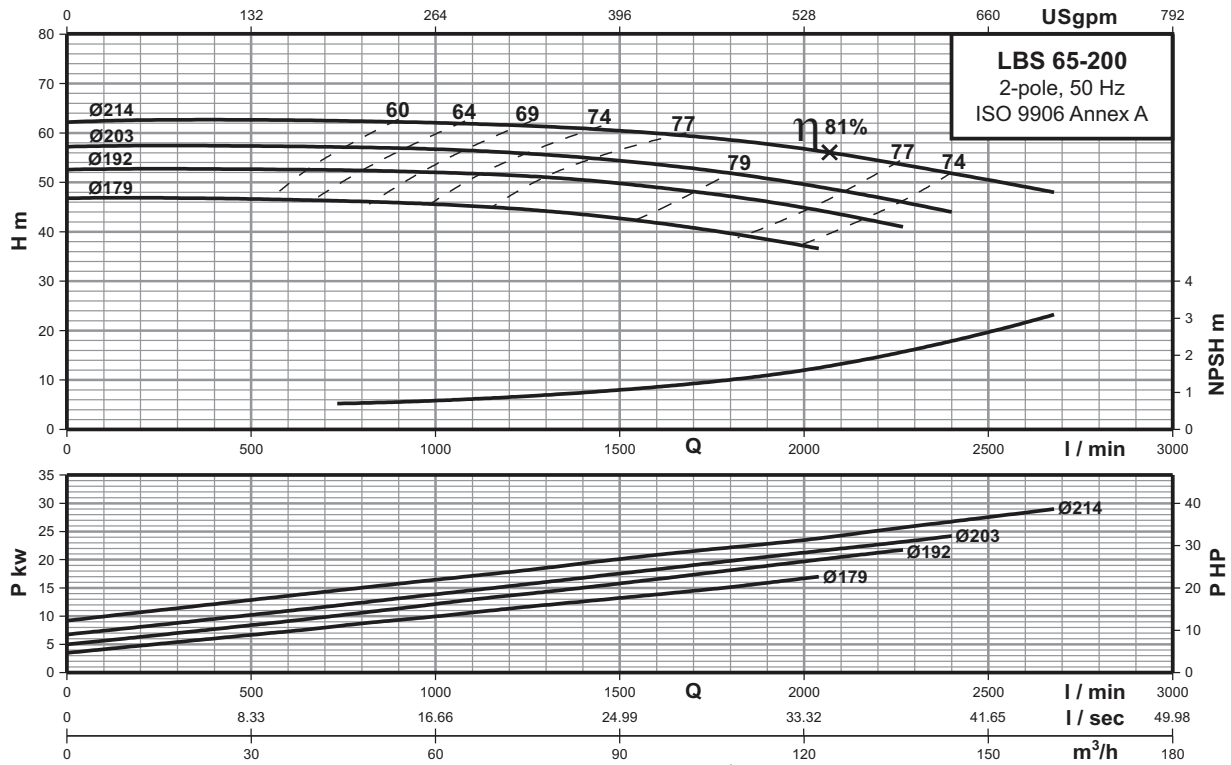
Power	[kw]	5.5	7.5	9.3	11
	[hp]	7.5	10	12.5	15
Frame		132S	132M	160M	160M
PN	[bar]	16	16	16	16
DNs	[mm]	80	80	80	80
DNd	[mm]	65	65	65	65
a	[mm]	100	100	100	100
h2	[mm]	200	200	200	200
L	[mm]	941	979	1079	1079
l1	[mm]	1000	1000	1120	1120
l2	[mm]	170	170	190	190
l3	[mm]	660	660	740	740
b1	[mm]	340	340	380	380
b2	[mm]	450	450	490	490
b3	[mm]	400	400	440	440
d	[mm]	24	24	24	24
a2	[mm]	75	75	75	75
h	[mm]	80	80	80	80
h3	[mm]	240	240	240	240
h4	[mm]	444	444	483	483
Base frame no.		4	4	5	5
Net Weight	[kg]	130	139	172	180
Gross Weight	[kg]	194	203	245	253
Volume	[m <sup>3</sup> ]	0.491	0.491	0.596	0.596

# Performance curves

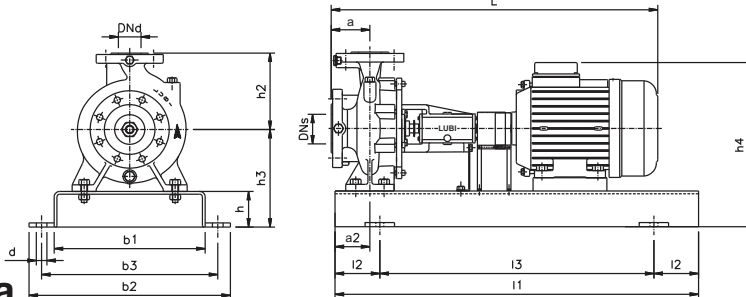
## LBS 65-200

### Single-stage bare shaft end-suction pumps

### 2-pole



**2 POLE**



### Technical data

Power	[kw]	15	18.5	22	30
	[hp]	20	25	30	40
Frame		160M	160L	180M	200L
PN	[bar]	16	16	16	16
DNs	[mm]	80	80	80	80
DNd	[mm]	65	65	65	65
a	[mm]	100	100	100	100
h2	[mm]	225	225	225	225
L	[mm]	1079	1121	1197	1263
i1	[mm]	1250	1250	1250	1400
i2	[mm]	205	205	205	230
i3	[mm]	840	840	840	940
b1	[mm]	430	430	430	480
b2	[mm]	540	540	540	610
b3	[mm]	490	490	490	550
d	[mm]	24	24	24	28
a2	[mm]	75	75	75	75
h	[mm]	80	80	80	100
h3	[mm]	260	260	260	300
h4	[mm]	503	503	554	606
Base frame no.		6	6	6	7
Net Weight	[kg]	209	246	302	375
Gross Weight	[kg]	293	330	390	480
Volume	[m³]	0.731	0.731	0.782	1.038

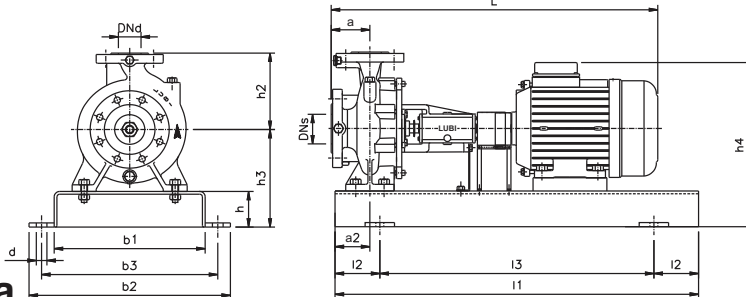
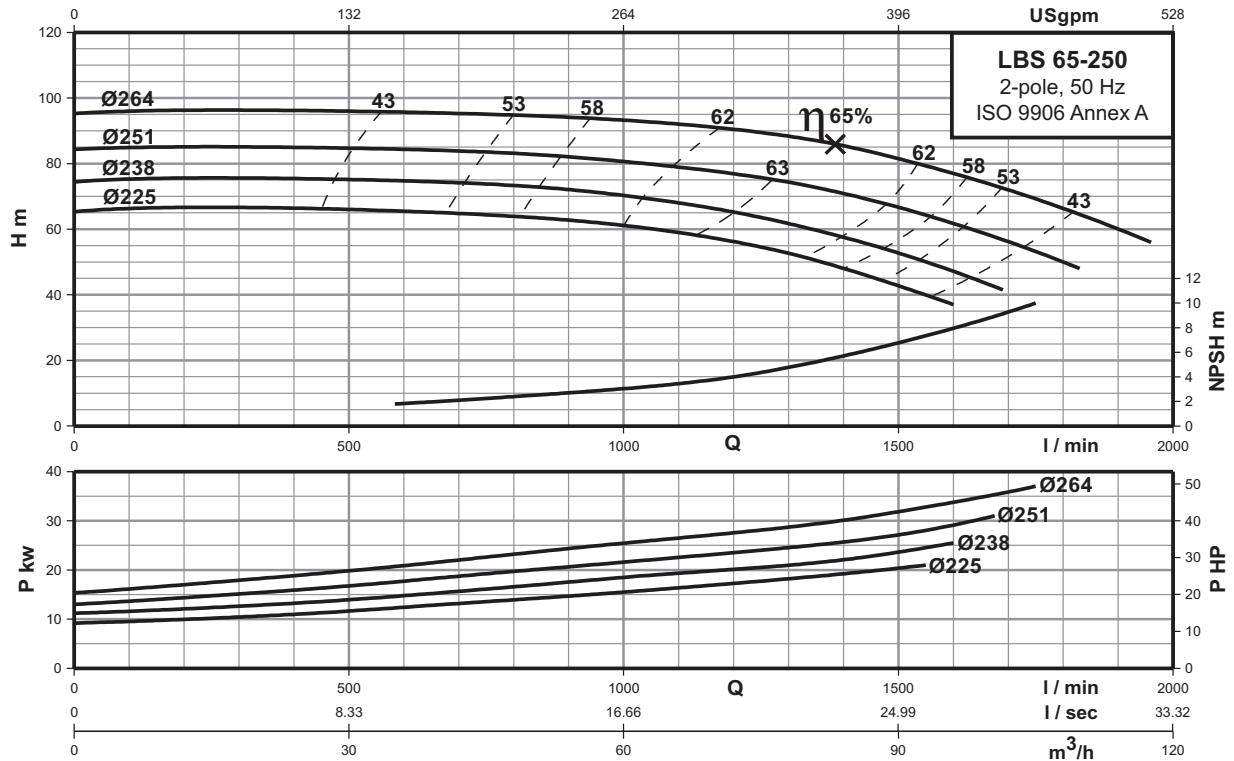
# Performance curves

## LBS 65-250

### Single-stage bare shaft end-suction pumps

### 2-pole

**2 POLE**



### Technical data

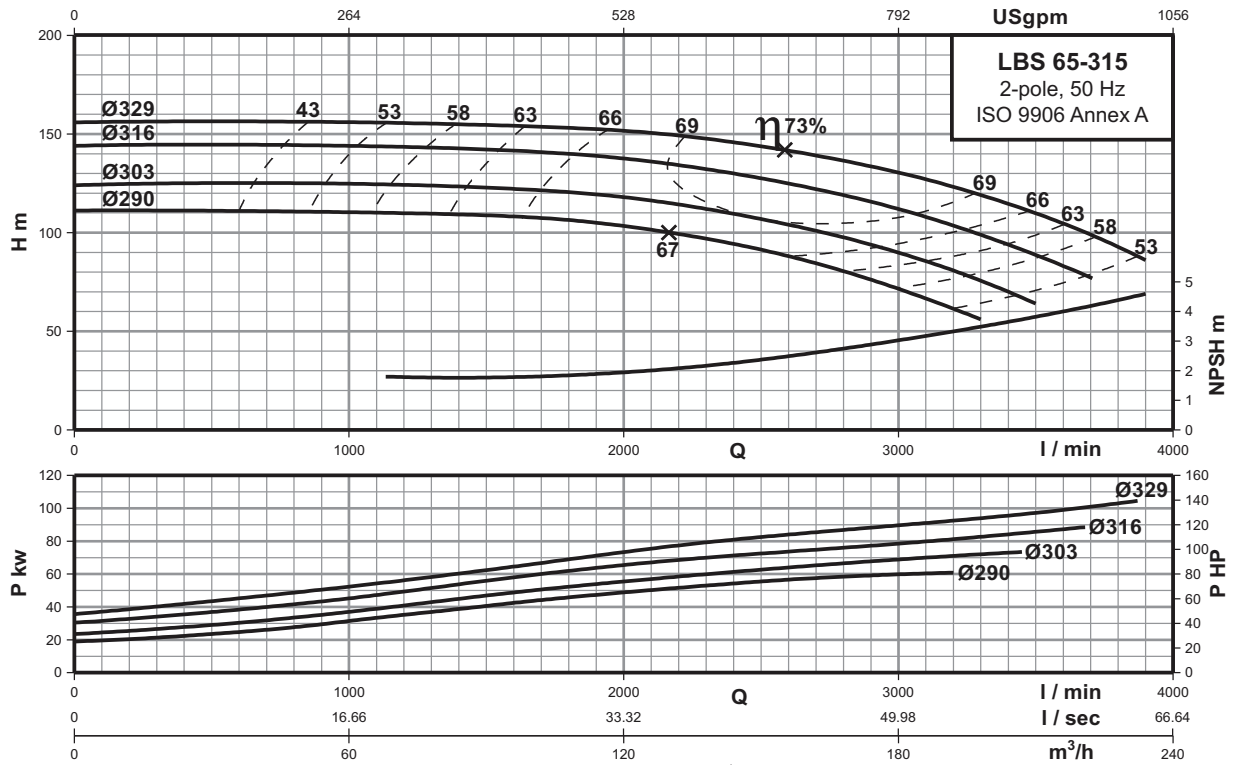
Power	[kw]	18.5	22	30	37
	[hp]	25	30	40	50
Frame		160L	180M	200L	200L
PN	[bar]	16	16	16	16
DNs	[mm]	80	80	80	80
DNd	[mm]	65	65	65	65
a	[mm]	100	100	100	100
h2	[mm]	250	250	250	250
L	[mm]	1231	1307	1373	1373
i1	[mm]	1250	1250	1400	1400
i2	[mm]	205	205	230	230
i3	[mm]	840	840	940	940
b1	[mm]	430	430	480	480
b2	[mm]	540	540	610	610
b3	[mm]	490	490	550	550
d	[mm]	24	24	28	28
a2	[mm]	90	90	90	90
h	[mm]	80	80	100	100
h3	[mm]	280	280	300	300
h4	[mm]	523	574	606	606
Base frame no.		6	6	7	7
Net Weight	[kg]	270	326	399	419
Gross Weight	[kg]	358	414	504	524
Volume	[m³]	0.782	0.782	1.038	1.038

# Performance curves

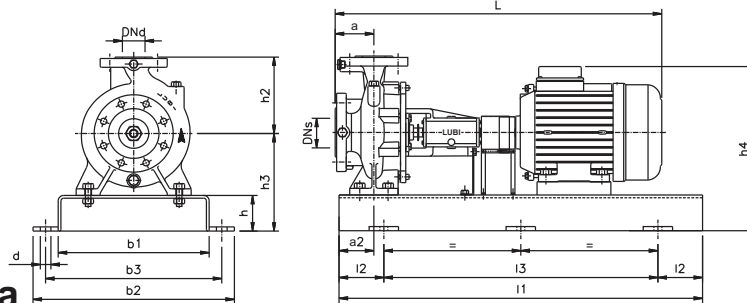
## LBS 65-315

### Single-stage bare shaft end-suction pumps

## 2-pole



**2 POLE**



### Technical data

Power	[kw]	55	75	90	110
	[hp]	75	100	120	150
Frame		250M	280S	280M	315S
PN	[bar]	16	16	16	16
DNs	[mm]	80	80	80	80
DNd	[mm]	65	65	65	65
a	[mm]	125	125	125	125
h2	[mm]	280	280	280	280
L	[mm]	1533	1610	1610	1737
l1	[mm]	1600	1800	1800	2000
l2	[mm]	270	300	300	330
l3	[mm]	1060	1200	1200	1340
b1	[mm]	530	600	600	750
b2	[mm]	660	730	730	890
b3	[mm]	600	670	670	830
d	[mm]	28	28	28	28
a2	[mm]	90	90	90	90
h	[mm]	100	100	100	130
h3	[mm]	350	380	380	445
h4	[mm]	764	825	825	960
Base frame no.		8	9	9	10
Net Weight	[kg]	644	756	800	1049
Gross Weight	[kg]	775	917	961	1249
Volume	[m <sup>3</sup> ]	1.452	1.973	1.973	2.779

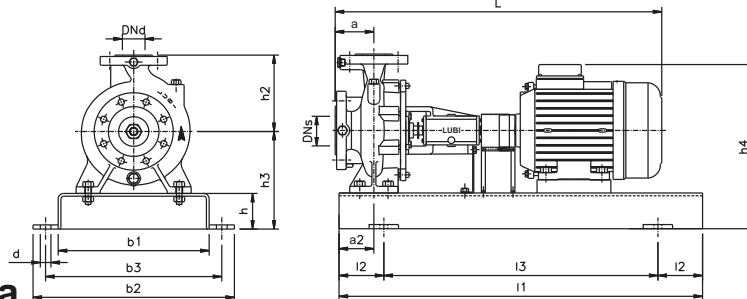
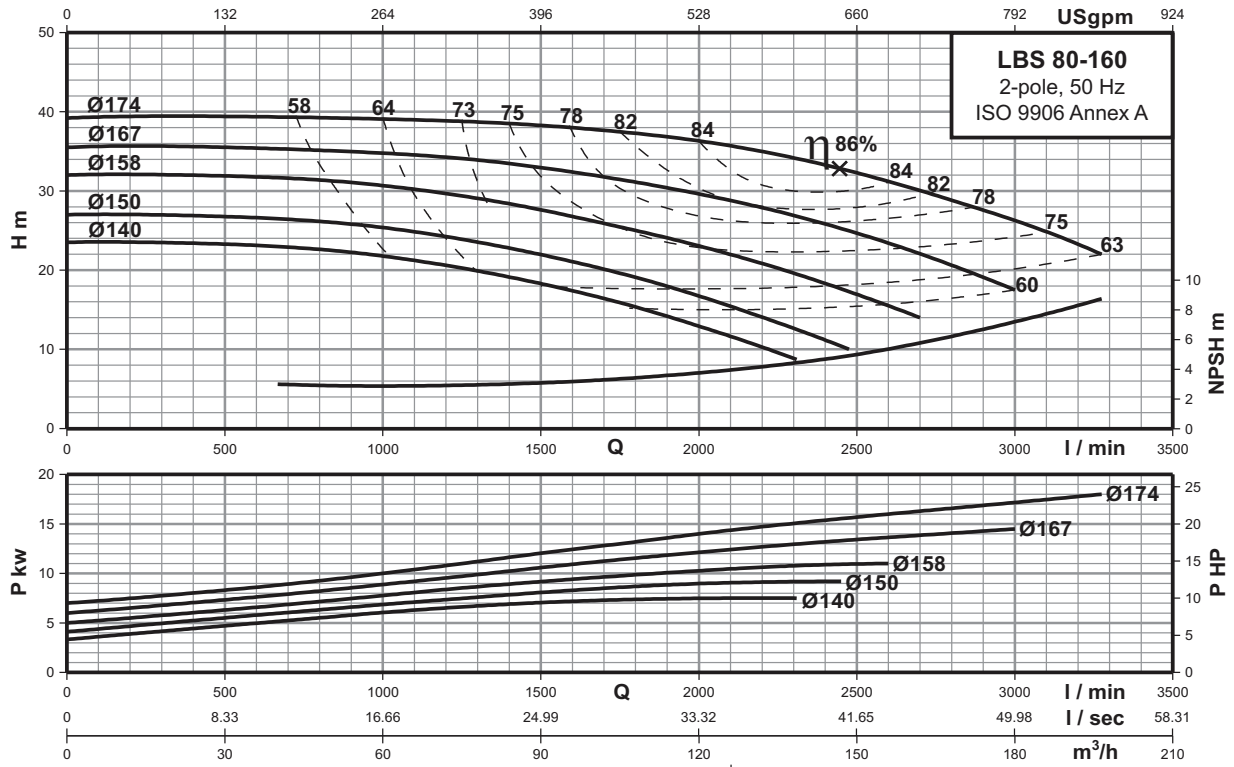
# Performance curves

## LBS 80-160

### Single-stage bare shaft end-suction pumps

### 2-pole

2 POLE



### Technical data

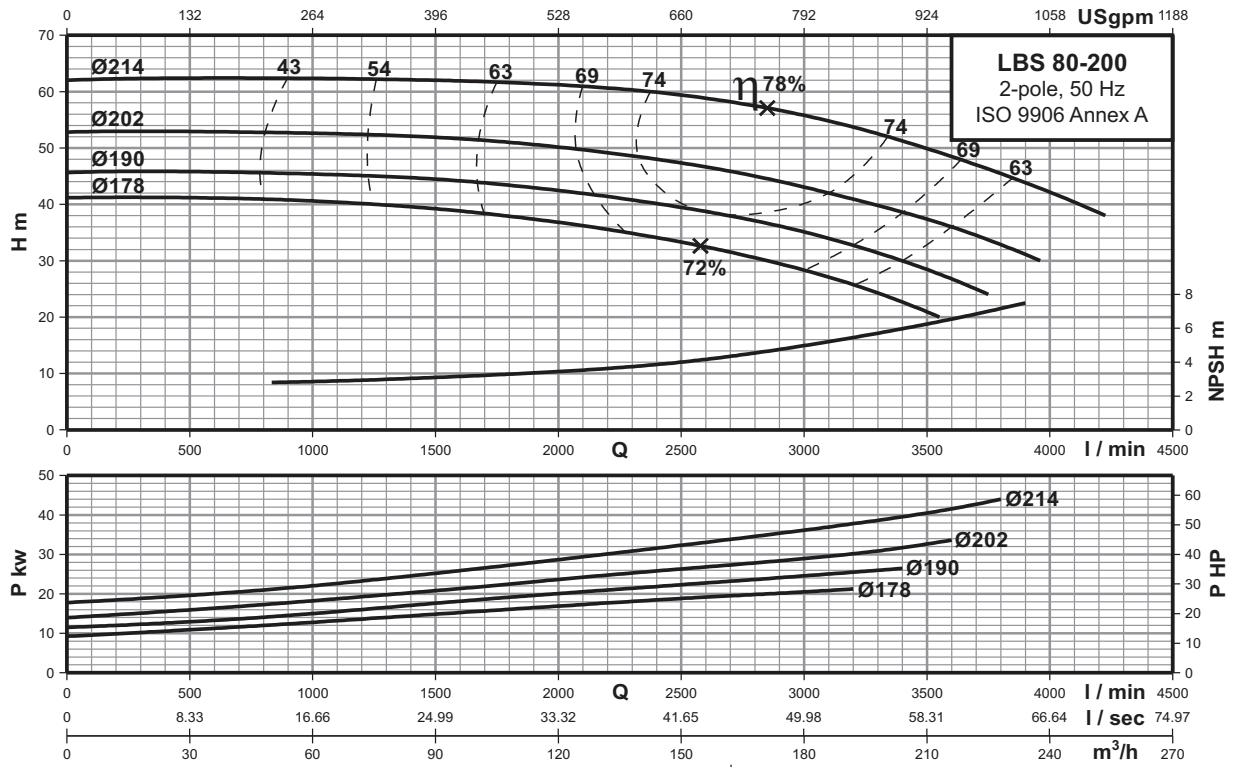
Power	[kw]	7.5	9.3	11	15	18.5
	[hp]	10	12.5	15	20	25
Frame		132M	160M	160M	160M	160L
PN	[bar]	16	16	16	16	16
DNs	[mm]	100	100	100	100	100
DNd	[mm]	80	80	80	80	80
a	[mm]	125	125	125	125	125
h2	[mm]	225	225	225	225	225
L	[mm]	1004	1104	1104	1104	1146
i1	[mm]	1120	1250	1250	1250	1250
i2	[mm]	190	205	205	205	205
i3	[mm]	740	840	840	840	840
b1	[mm]	380	430	430	430	430
b2	[mm]	490	540	540	540	540
b3	[mm]	440	490	490	490	490
d	[mm]	24	24	24	24	24
a2	[mm]	75	75	75	75	75
h	[mm]	80	80	80	80	80
h3	[mm]	260	260	260	260	260
h4	[mm]	464	503	503	503	503
Base frame no.		5	6	6	6	6
Net Weight	[kg]	151	185	193	209	246
Gross Weight	[kg]	224	269	277	293	330
Volume	[m³]	0.596	0.731	0.731	0.731	0.731

# Performance curves

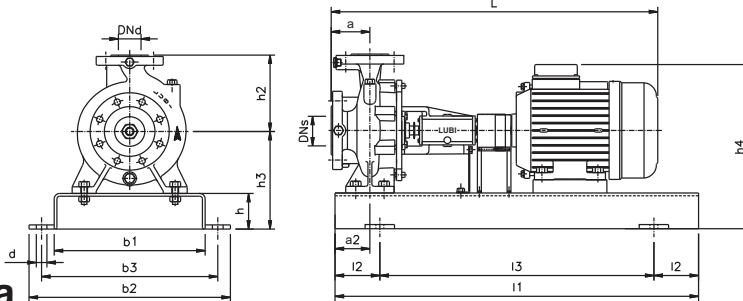
## LBS 80-200

### Single-stage bare shaft end-suction pumps

### 2-pole



**2 POLE**



### Technical data

Power	[kw]	22	30	37	45
	[hp]	30	40	50	60
Frame		180M	200L	200L	225M
PN	[bar]	16	16	16	16
DNs	[mm]	100	100	100	100
DNd	[mm]	80	80	80	80
a	[mm]	125	125	125	125
h2	[mm]	250	250	250	250
L	[mm]	1332	1398	1398	1435
i1	[mm]	1250	1400	1400	1400
i2	[mm]	205	230	230	230
i3	[mm]	840	940	940	940
b1	[mm]	430	480	480	480
b2	[mm]	540	610	610	610
b3	[mm]	490	550	550	550
d	[mm]	24	28	28	28
a2	[mm]	75	75	75	75
h	[mm]	80	100	100	100
h3	[mm]	260	300	300	325
h4	[mm]	554	606	606	653
Base frame no.		6	7	7	7
Net Weight	[kg]	318	391	411	448
Gross Weight	[kg]	406	496	516	558
Volume	[m³]	0.782	1.038	1.038	1.101

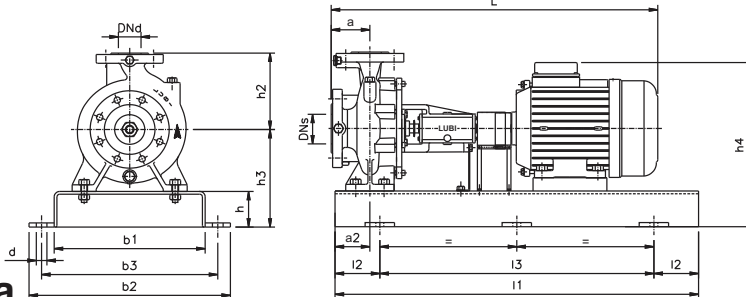
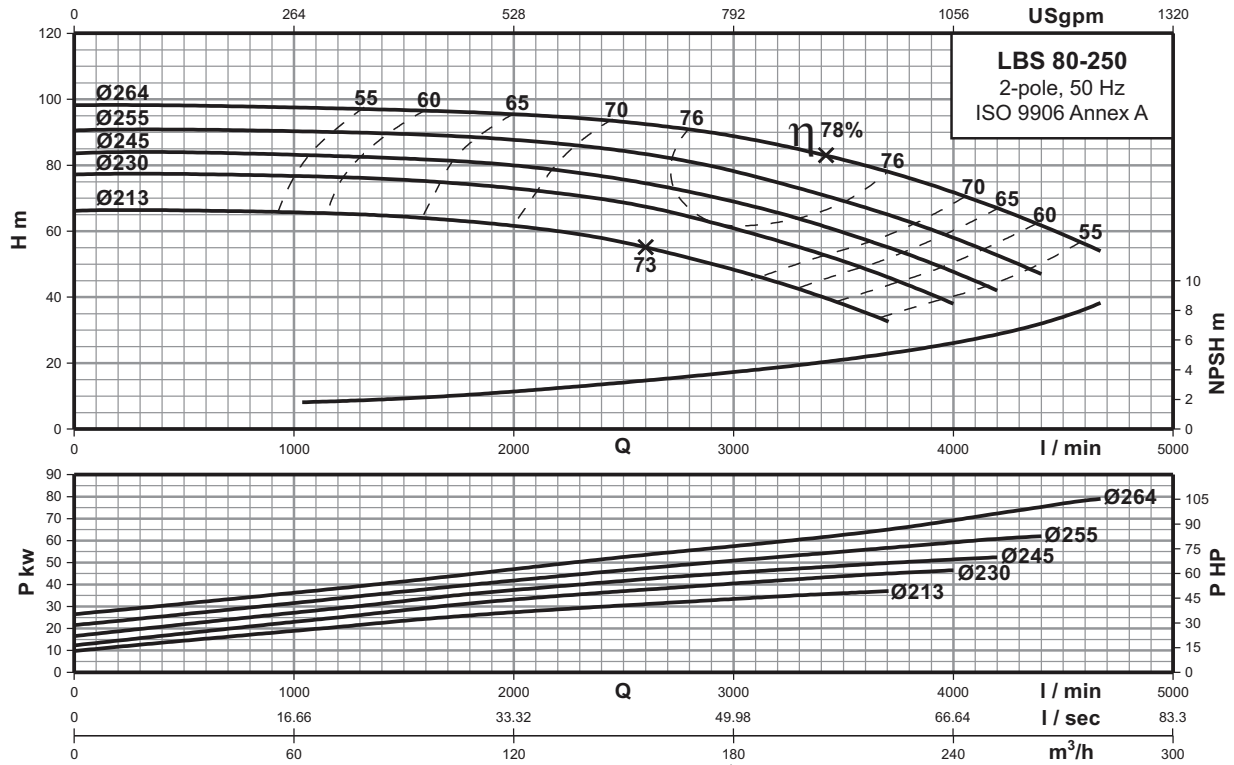
# Performance curves

## LBS 80-250

### Single-stage bare shaft end-suction pumps

### 2-pole

**2 POLE**



### Technical data

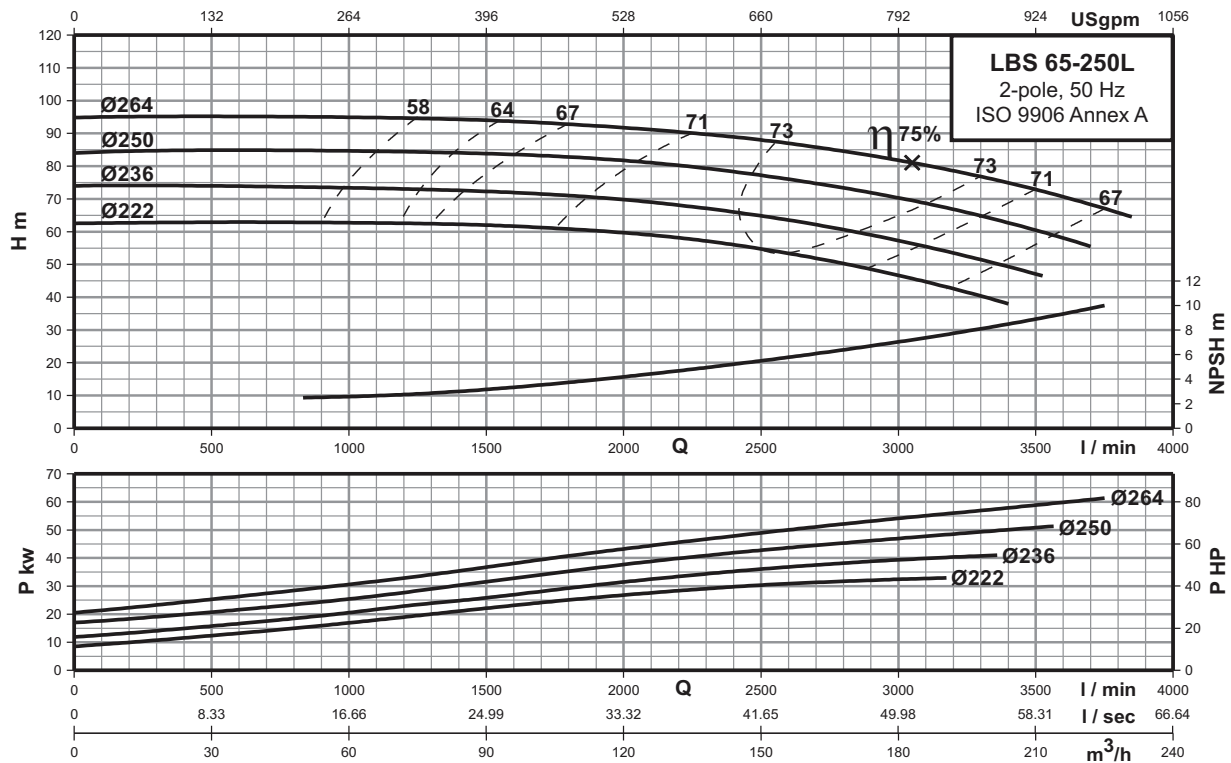
Power	[kw]	37	45	55	75
	[hp]	50	60	75	100
Frame		200L	225M	250M	280S
PN	[bar]	16	16	16	16
DNs	[mm]	100	100	100	100
DNd	[mm]	80	80	80	80
a	[mm]	125	125	125	125
h2	[mm]	280	280	280	280
L	[mm]	1398	1435	1533	1610
l1	[mm]	1400	1400	1600	1800
l2	[mm]	230	230	270	300
l3	[mm]	940	940	1060	1200
b1	[mm]	480	480	530	600
b2	[mm]	610	610	660	730
b3	[mm]	550	550	600	670
d	[mm]	28	28	28	28
a2	[mm]	90	90	90	90
h	[mm]	100	100	100	100
h3	[mm]	325	325	350	380
h4	[mm]	631	653	764	825
Base frame no.		7	7	8	9
Net Weight	[kg]	425	462	633	745
Gross Weight	[kg]	530	572	764	906
Volume	[m³]	1.038	1.101	1.452	1.973

# Performance curves

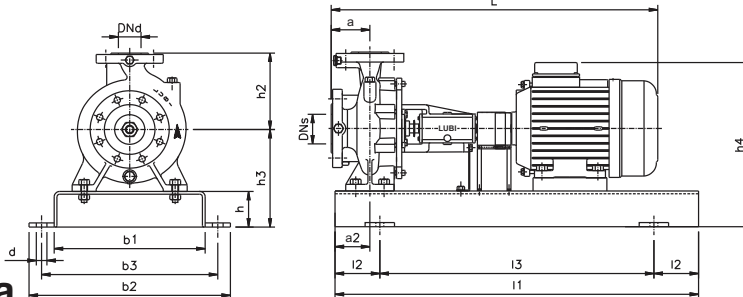
## LBS 65-250L

### Single-stage bare shaft end-suction pumps

### 2-pole



**2 POLE**



### Technical data

Power	[kw]	30	37	45	55
	[hp]	40	50	60	75
Frame		200L	200L	225M	250M
PN	[bar]	16	16	16	16
DNs	[mm]	100	100	100	100
DNd	[mm]	65	65	65	65
a	[mm]	100	100	100	100
h2	[mm]	250	250	250	250
L	[mm]	1373	1373	1410	1508
i1	[mm]	1400	1400	1400	1600
i2	[mm]	230	230	230	270
i3	[mm]	940	940	940	1060
b1	[mm]	480	480	480	530
b2	[mm]	610	610	610	660
b3	[mm]	550	550	550	600
d	[mm]	28	28	28	28
a2	[mm]	90	90	90	90
h	[mm]	100	100	100	100
h3	[mm]	300	300	325	350
h4	[mm]	606	606	653	764
Base frame no.		7	7	7	8
Net Weight	[kg]	399	419	456	627
Gross Weight	[kg]	504	524	566	758
Volume	[m³]	1.038	1.038	1.101	1.452

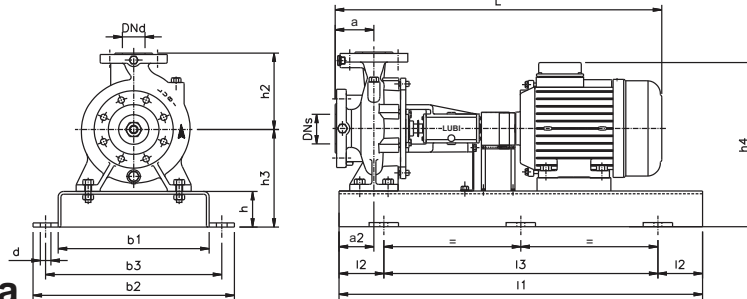
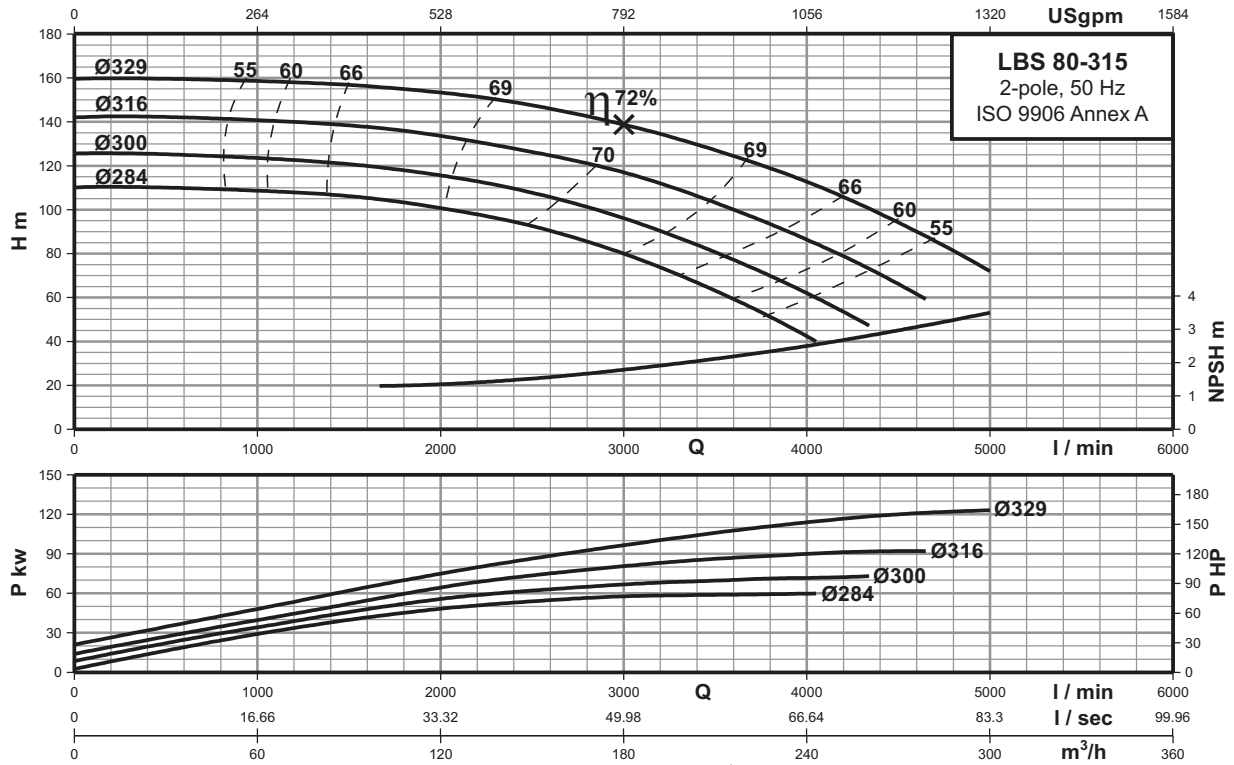
# Performance curves

## LBS 80-315

### Single-stage bare shaft end-suction pumps

## 2-pole

2 POLE



### Technical data

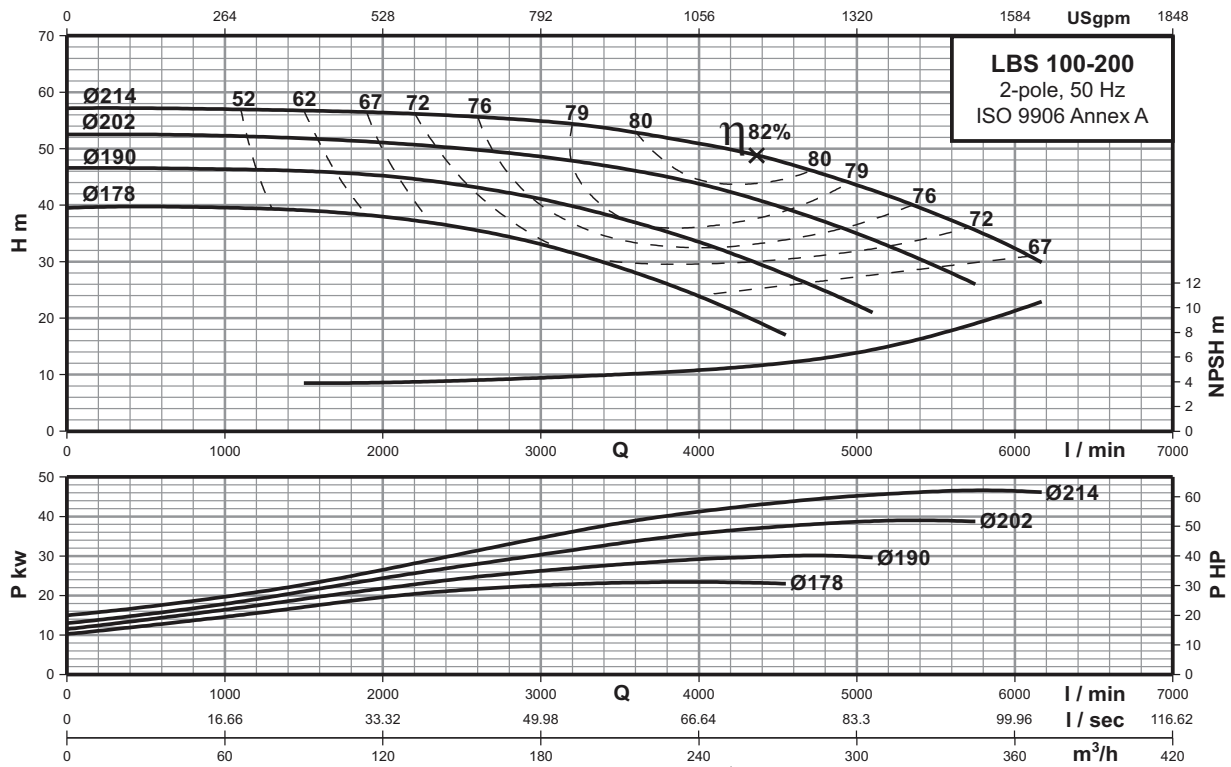
Power	[kw]	55	75	90	110	132
	[hp]	75	100	120	150	180
Frame		250M	280S	280M	315S	315M
PN	[bar]	16	16	16	16	16
DNs	[mm]	100	100	100	100	100
DNd	[mm]	80	80	80	80	80
a	[mm]	125	125	125	125	125
h2	[mm]	315	315	315	315	315
L	[mm]	1533	1610	1610	1737	1737
i1	[mm]	1600	1800	1800	2000	2000
i2	[mm]	270	300	300	330	330
i3	[mm]	1060	1200	1200	1340	1340
b1	[mm]	530	600	600	750	750
b2	[mm]	660	730	730	890	890
b3	[mm]	600	670	670	830	830
d	[mm]	28	28	28	28	28
a2	[mm]	90	90	90	90	90
h	[mm]	100	100	100	130	130
h3	[mm]	350	380	380	445	445
h4	[mm]	764	825	825	960	960
Base frame no.		8	9	9	10	10
Net Weight	[kg]	646	758	802	1051	1121
Gross Weight	[kg]	777	919	963	1251	1321
Volume	[m³]	1.452	1.973	1.973	2.779	2.779

# Performance curves

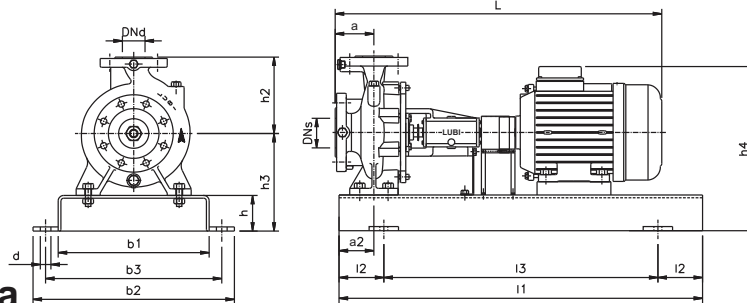
## LBS 100-200

### Single-stage bare shaft end-suction pumps

### 2-pole



**2 POLE**



### Technical data

Power	[kw]	22	30	37	45
	[hp]	30	40	50	60
Frame		180M	200L	200L	225M
PN	[bar]	16	16	16	16
DNs	[mm]	125	125	125	125
DNd	[mm]	100	100	100	100
a	[mm]	125	125	125	125
h2	[mm]	280	280	280	280
L	[mm]	1332	1398	1398	1435
i1	[mm]	1250	1400	1400	1400
i2	[mm]	205	230	230	230
i3	[mm]	840	940	940	940
b1	[mm]	430	480	480	480
b2	[mm]	540	610	610	610
b3	[mm]	490	550	550	550
d	[mm]	24	28	28	28
a2	[mm]	90	90	90	90
h	[mm]	80	100	100	100
h3	[mm]	280	300	300	325
h4	[mm]	574	606	606	653
Base frame no.		6	7	7	7
Net Weight	[kg]	329	402	422	459
Gross Weight	[kg]	417	507	527	569
Volume	[m <sup>3</sup> ]	0.782	1.038	1.038	1.101

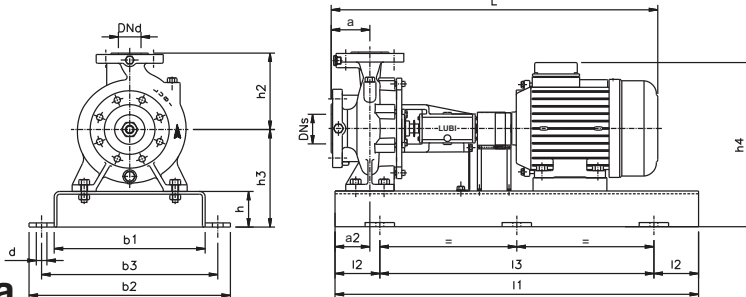
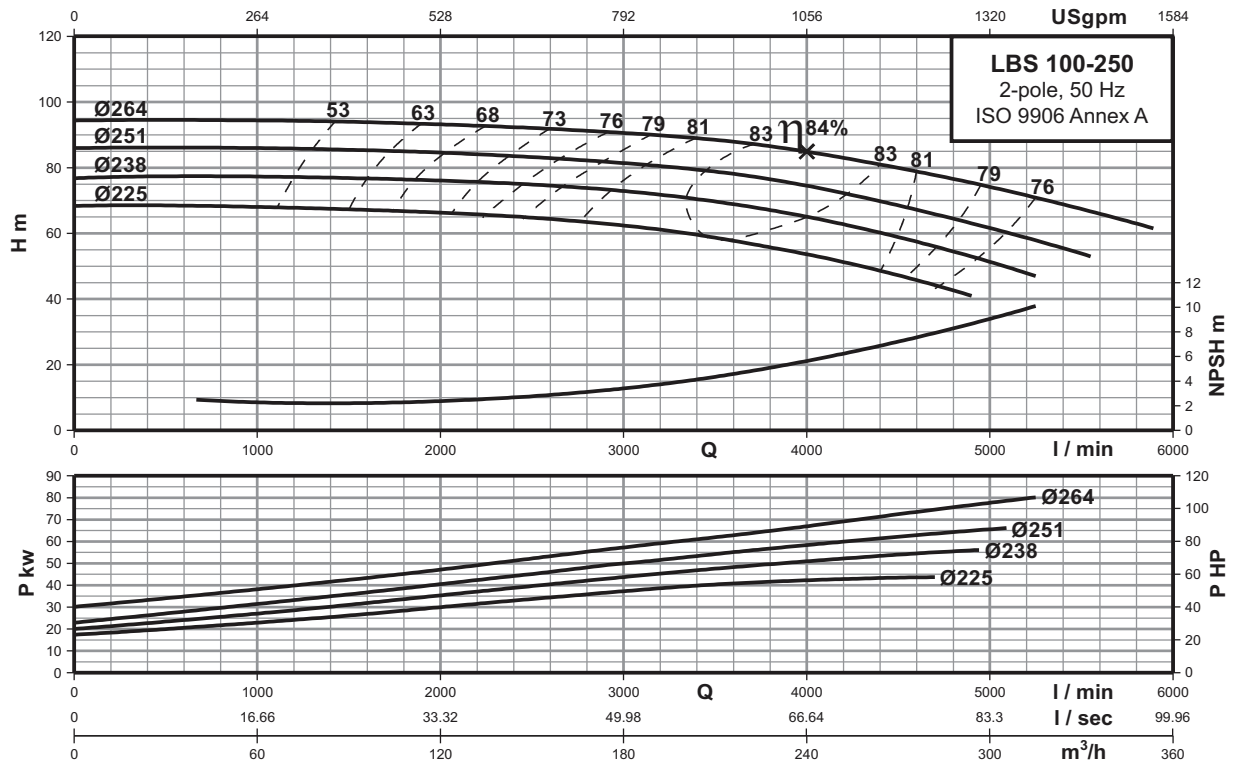
# Performance curves

## LBS 100-250

### Single-stage bare shaft end-suction pumps

### 2-pole

**2 POLE**



### Technical data

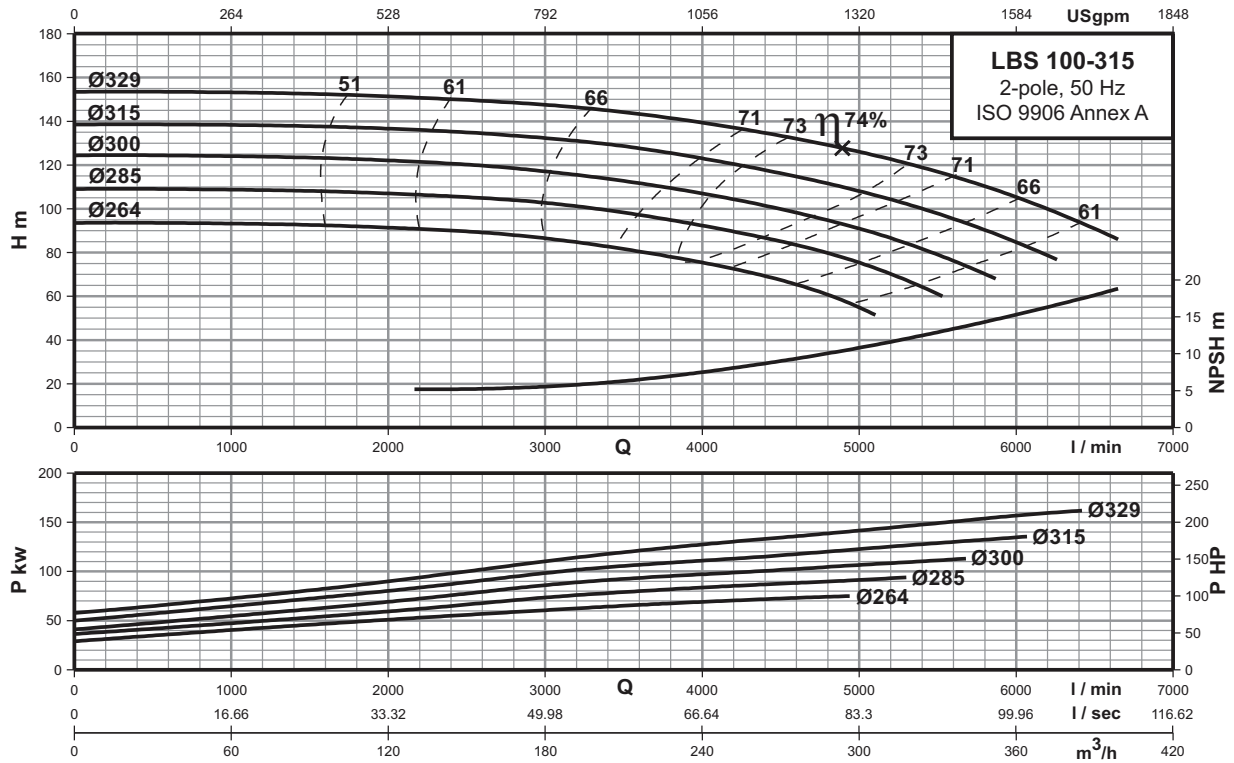
Power	[kw]	45	55	75	90
	[hp]	60	75	100	120
Frame		225M	250M	280S	280M
PN	[bar]	16	16	16	16
DNs	[mm]	125	125	125	125
DNd	[mm]	100	100	100	100
a	[mm]	140	140	140	140
h2	[mm]	280	280	280	280
L	[mm]	1450	1548	1625	1625
i1	[mm]	1600	1600	1800	1800
i2	[mm]	270	270	300	300
i3	[mm]	1060	1060	1200	1200
b1	[mm]	530	530	600	600
b2	[mm]	660	660	730	730
b3	[mm]	600	600	670	670
d	[mm]	28	28	28	28
a2	[mm]	90	90	90	90
h	[mm]	100	100	100	100
h3	[mm]	325	350	380	380
h4	[mm]	653	764	825	825
Base frame no.		8	8	9	9
Net Weight	[kg]	484	641	736	780
Gross Weight	[kg]	615	772	884	928
Volume	[m³]	1.452	1.452	1.720	1.720

# Performance curves

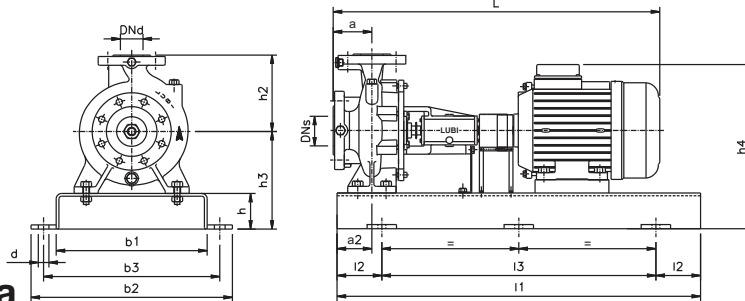
## LBS 100-315

### Single-stage bare shaft end-suction pumps

### 2-pole



**2 POLE**



### Technical data

Power	[kw]	75	90	110	132
	[hp]	100	120	150	180
Frame		280S	280M	315S	315M
PN	[bar]	16	16	16	16
DNs	[mm]	125	125	125	125
DNd	[mm]	100	100	100	100
a	[mm]	140	140	140	140
h2	[mm]	315	315	315	315
L	[mm]	1625	1625	1752	1752
l1	[mm]	1800	1800	2000	2000
l2	[mm]	300	300	330	330
l3	[mm]	1200	1200	1340	1340
b1	[mm]	600	600	750	750
b2	[mm]	730	730	890	890
b3	[mm]	670	670	830	830
d	[mm]	28	28	28	28
a2	[mm]	90	90	90	90
h	[mm]	100	100	130	130
h3	[mm]	380	380	445	445
h4	[mm]	825	825	960	960
Base frame no.		9	9	10	10
Net Weight	[kg]	767	811	1060	1130
Gross Weight	[kg]	928	972	1260	1330
Volume	[m³]	1.973	1.973	2.779	2.779

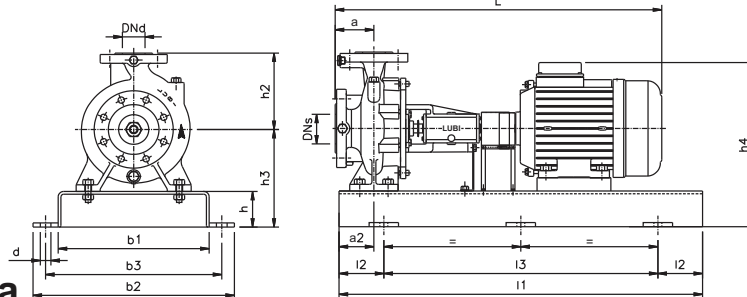
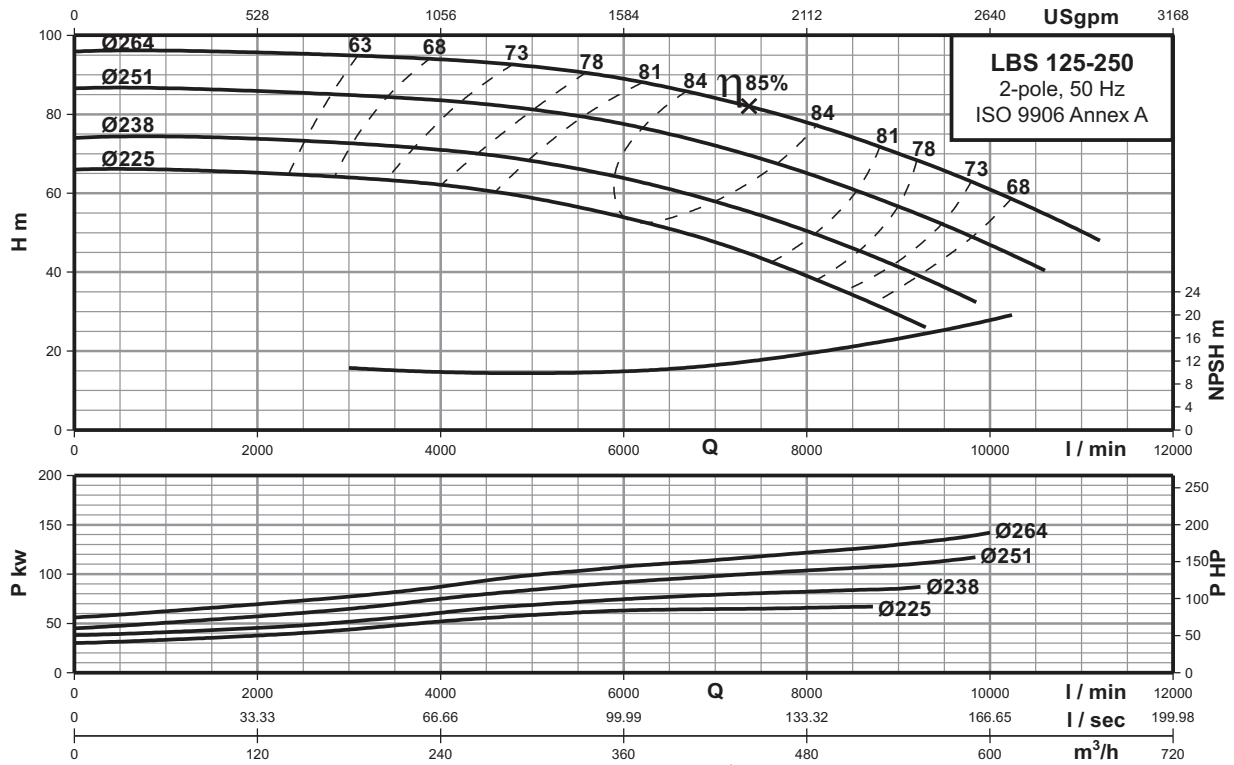
# Performance curves

## LBS 125-250

### Single-stage bare shaft end-suction pumps

### 2-pole

**2 POLE**



### Technical data

Power	[kw]	75	90	110	132
	[hp]	100	120	150	180
Frame		280S	280M	315S	315M
PN	[bar]	16	16	16	16
DNs	[mm]	150	150	150	150
DNd	[mm]	125	125	125	125
a	[mm]	140	140	140	140
h2	[mm]	315	315	315	315
L	[mm]	1625	1625	1752	1752
l1	[mm]	1800	1800	2000	2000
l2	[mm]	300	300	330	330
l3	[mm]	1200	1200	1340	1340
b1	[mm]	600	600	750	750
b2	[mm]	730	730	890	890
b3	[mm]	670	670	830	830
d	[mm]	28	28	28	28
a2	[mm]	90	90	90	90
h	[mm]	100	100	130	130
h3	[mm]	380	380	445	445
h4	[mm]	825	825	960	960
Base frame no.		9	9	10	10
Net Weight	[kg]	780	824	1073	1143
Gross Weight	[kg]	941	985	1273	1343
Volume	[m³]	1.973	1.973	2.779	2.779