



QY(B) 50Hz

Stainless steel self-suction gas-liquid mixing pump

QYL(B)



Nanfang Pump Industry Co.,Ltd.

CNP Headquarter

Address: Renhe Town, Hangzhou China

PostCode: 311107

Tel: +86 571 86397810, 86397838

Fax: +86 571 86397809

E-mail: info@nanfang-pump.com

Website: www.cnppump.com

E081202
subject to amendments



Company Profile



Founded in 1991, Nanfang Pump Industry Co., Ltd. (hereinafter referred to as CNP) has been listed on the Shenzhen Stock Exchange on 9th December 2010; Stock name: CNP; Stock code: 300145.

As the first enterprise specializing in the research and large-scale production of stainless steel stamping welded centrifugal pump in China, CNP is currently the professional manufacturer with the highest volume of production and marketing in that industry. It ranks first in the country in terms of product scope, sales volume, and production quality. The company has set up a complete network of marketing services to meet the requirements of overseas markets as well as domestic needs. The products have seen a wide range of application in the area of pressurization, industry, living water, cycling of air-conditioning water, heat supply, fire extinguishing system, pumping of underground water, treatment of sewage and waste water, chemical industry and desalination of sea water etc.

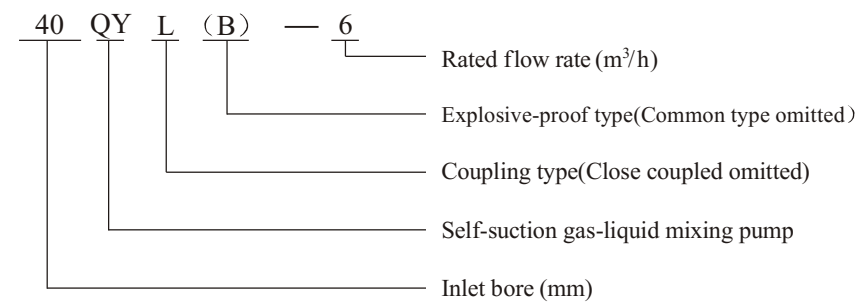
CNP has now entered into the fast track of development and has taken a major step forward in forging China Strong Pump Enterprise and World's famous brand in the Pump Industry. In order to better meet the client's needs and requirements for expansion, it has set up a wide network of selling and service, as well as offices and service centers in major cities in China, which are aimed at providing timely and effective services for our clients. Meanwhile, our company has successfully penetrated into the world market by forging a good business relationship with more than 50 countries and regions in the Europe, Northern American, and Southeast Asia etc.

Content

General Data

Definition of model	3
Working conditions	3
Application	3
Features	3
Performance curve	4
Performance table	4
QY(B) Installation dimensions	5
QYL(B) Installation dimensions	6

● Definition of model



● Working conditions

- QY and QYL designed for clear and low viscosity liquid, or liquid containing extra-fine foreign matters.
- QYB and QYLB designed for clear and low viscosity liquid, or explosive flammable liquid which containing very little solids.
- Liquid Temperature: -15°C ~ 120°C
- Maximum ambient temperature: +40°C
- Gas-liquid ratio 1:9 (gas suction volume 8 ~ 10%)
- Inlet:horizontal, Outlet:Vertical

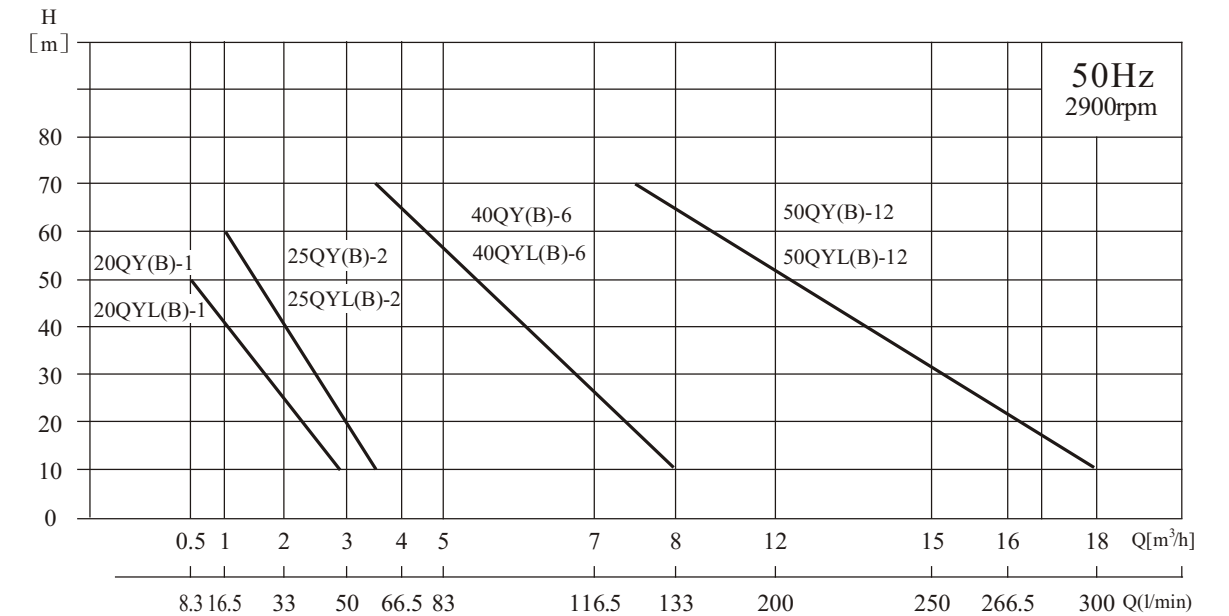
● Application

- Air suspension treating equipment, ozone waterpreparing equipment, and biological treating equipment.
- Feeding of heating or cooling medium for various temperature adjusting devices.
- Various filters: sucking or high pressure transferring low viscosity liquid from underground tank, such as gasoline and various solvent.
- Misting treatment of clear water, pure water, foods, chemical solution and waste solution.
- Strict applications (continuous running, abrupt variation in hydraulic pressure): such as small scale steam boiler. high building water supply, high pressure water injection to high pressure tank, and suction from vacuum tank.
- Sampling from river or tank, transfer foamable liquid, transfer liquid through long and horizontal pipeline, where air pockets likely occur.

● Features

- It can suck water while sucking gas and pressurize and mix them inside it. Ultra fine air bubble 20~ 30μ . It renders a good gas liquid solving effect.
- It has stable performances, high efficiency and low noise level, and its gas liquid solving efficiency is as high as twice that of the traditional mode.
- When it is used in air suspension unit air compressors, various mixers, high pressure air solving tanks and releasers may be saved and thus the weakness of instable air supply and boiling of large air bubble which likely occur in traditional working model will be eliminated.
- When it is used in ozone water preparing equipment, many mixers and large oxidation towers may be saved and thus the cost for equipment will be greatly reduced. In addition, its gas liquid solving ratio may exceed 95%.
- It is simple in structure and operation, easy in maintenance and durable and needs less components. It has a good self suction capacity and a wide application range.

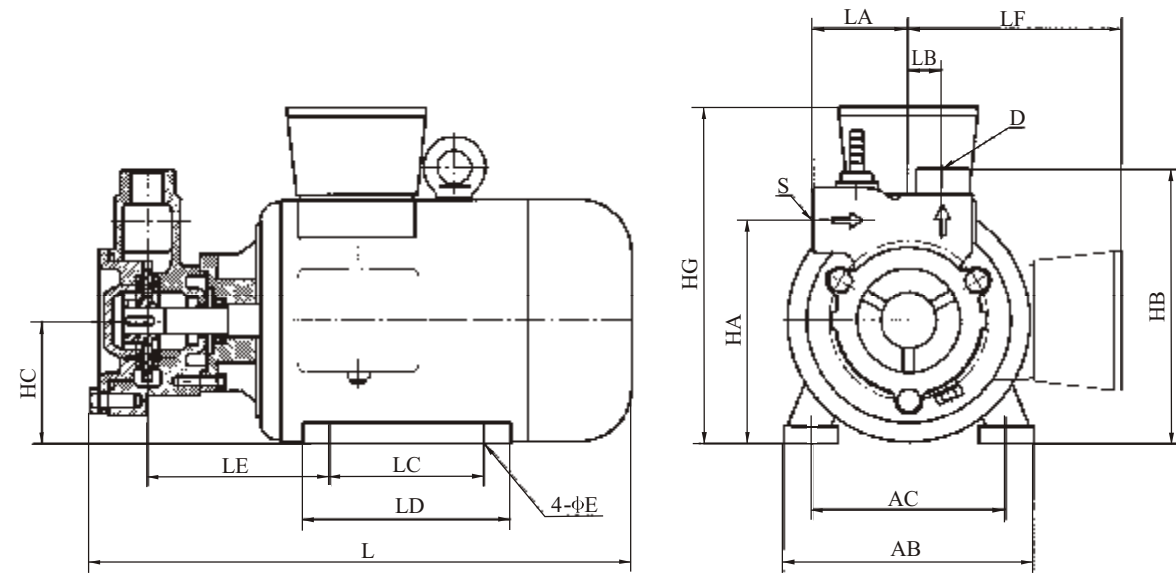
● Performance curve



● Performance table

Model	Driving motor			H (m)	10	20	30	40	50	60	70	
	(kW)	(hp)	PH									
20QY-1	0.55	0.75	1PH 3PH	Q (m ³ /h)	2.8	2.2	1.6	1	0.4			
20QYB-1			3PH									
25QY-2	1.1	1.5	1PH 3PH		3.5	2.8	2.5	2	1.6	1		
25QYB-2			3PH									
40QY-6	3	4	3PH		8	7.5	6.5	6	5.5	4.5	3.5	
40QYB-6												5.5
50QY-12	5.5	7.5	3PH		18	16	15	14	12	10	7.5	
50QYB-12												10
20QYL-1	0.55	0.75	1PH 3PH		Q (m ³ /h)	2.8	2.2	1.6	1	0.4		
20QYLB-1			3PH									
25QYL-2	1.1	1.5	1PH 3PH			3.5	2.8	2.5	2	1.6	1	
25QYLB-2			3PH									
40QYL-6	4	5.5	3PH	8		7.5	6.5	6	5.5	4.5	3.5	
40QYLB-6												
50QYL-12	7.5	10	3PH	18		16	15	14	12	10	7.5	
50QYLB-12												

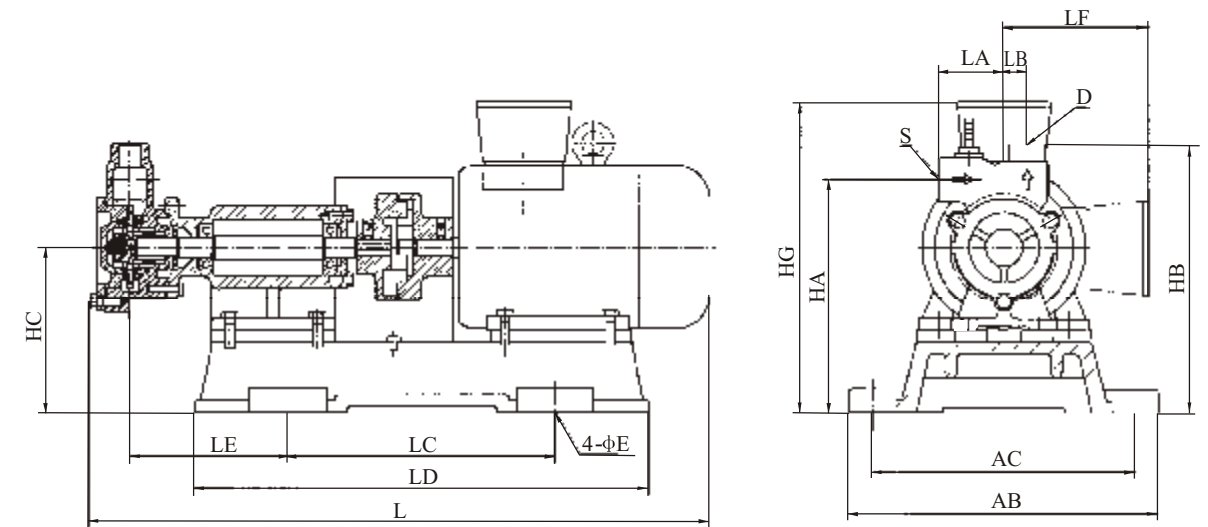
● QY(B) Installation sketch



● QY(B) Installation dimensions

Model	HA	HB	HC	HG	AB	AC	L	LA	LB	LC	LD	LE	LF	S	D	E	Weight (kg)
20QY-1	128	158	71	195	150	110	320	55	20	90	120	100		G $\frac{3}{4}$	G $\frac{1}{2}$	7	10
20QYB-1	128	158	71	260	150	110	320	55	20	90	120	100		G $\frac{3}{4}$	G $\frac{1}{2}$	7	20
25QY-2	150	185	80	214	165	125	327	60	28	100	130	105	145	G1	G $\frac{3}{4}$	10	14
25QYB-2	150	185	80	340	165	125	327	60	28	100	130	105		G1	G $\frac{3}{4}$	10	27
40QY-6	185	230	100	270	200	160	444	70	40	140	180	135	180	G1 $\frac{1}{2}$	G1 $\frac{1}{4}$	12	36
40QYB-6	197	242	112	400	225	190	451	70	40	140	180	142		G1 $\frac{1}{2}$	G1 $\frac{1}{4}$	12	58
50QY-12	232	290	132	345	280	216	570	77	47	140	200	190	210	G2	G1 $\frac{1}{2}$	12	63
50QYB-12	232	290	132	470	280	216	570	77	47	140	200	190		G2	G1 $\frac{1}{2}$	12	91

● QYL(B) Installation sketch



● QYL(B) Installation dimensions

Model	HA	HB	HC	HG	AB	AC	L	LA	LB	LC	LD	LE	LF	S	D	E	Weight (kg)
20QYL-1	198	228	141	265	265	225	532	55	20	228	388	135		G $\frac{3}{4}$	G $\frac{1}{2}$	φ 8.5	26
20QYLB-1	198	228	141	330	265	225	532	55	20	228	388	135		G $\frac{3}{4}$	G $\frac{1}{2}$	φ 8.5	36
25QYL-2	220	255	150	284	275	235	610	60	28	293	453	85	145	G1	G $\frac{3}{4}$	φ 11	36
25QYLB-2	220	255	150	410	275	235	610	60	28	293	453	85		G1	G $\frac{3}{4}$	φ 11	48
40QYL-6	255	300	170	340	345	305	721	70	40	363	523	152	180	G1 $\frac{1}{2}$	G1 $\frac{1}{4}$	φ 11	65
40QYLB-6	265	312	182	470	345	305	721	70	40	363	523	152		G1 $\frac{1}{2}$	G1 $\frac{1}{4}$	φ 11	88
50QYL-12	302	360	203	415	390	350	816	77	47	450	610	158	210	G2	G1 $\frac{1}{2}$	φ 11	99
50QYLB-12	302	360	203	540	390	350	816	77	47	450	610	158		G2	G1 $\frac{1}{2}$	φ 11	128

